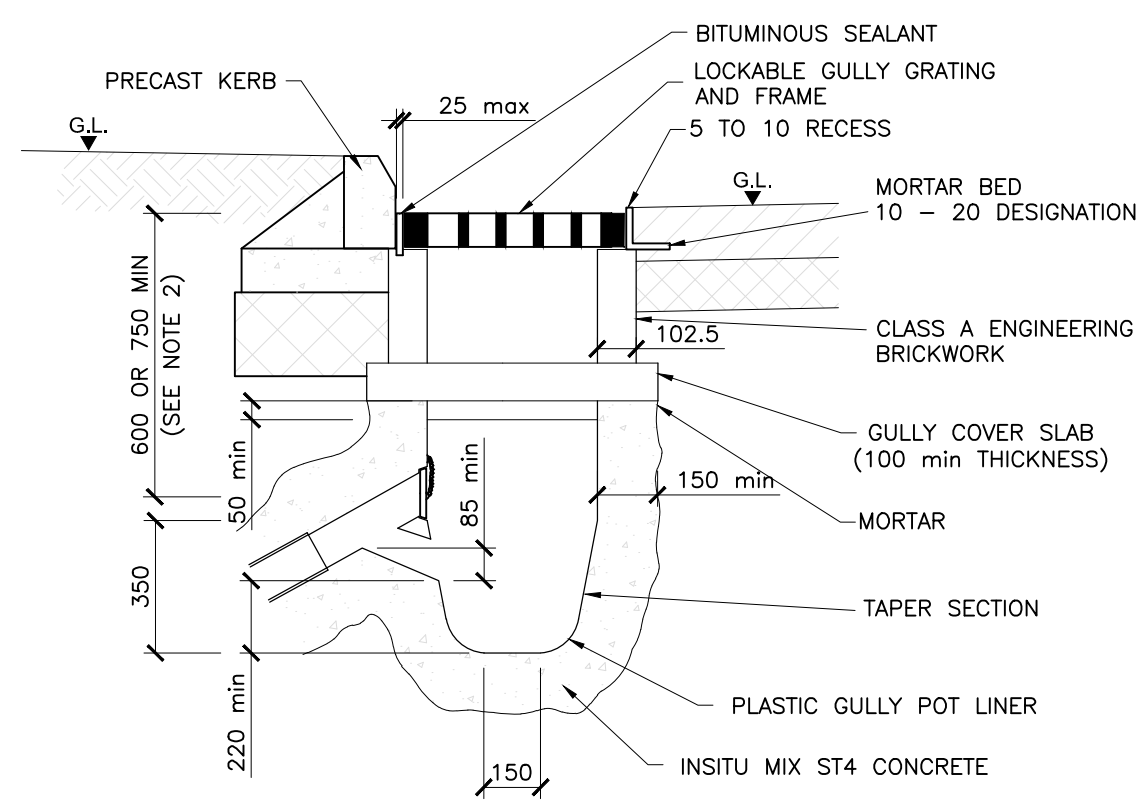
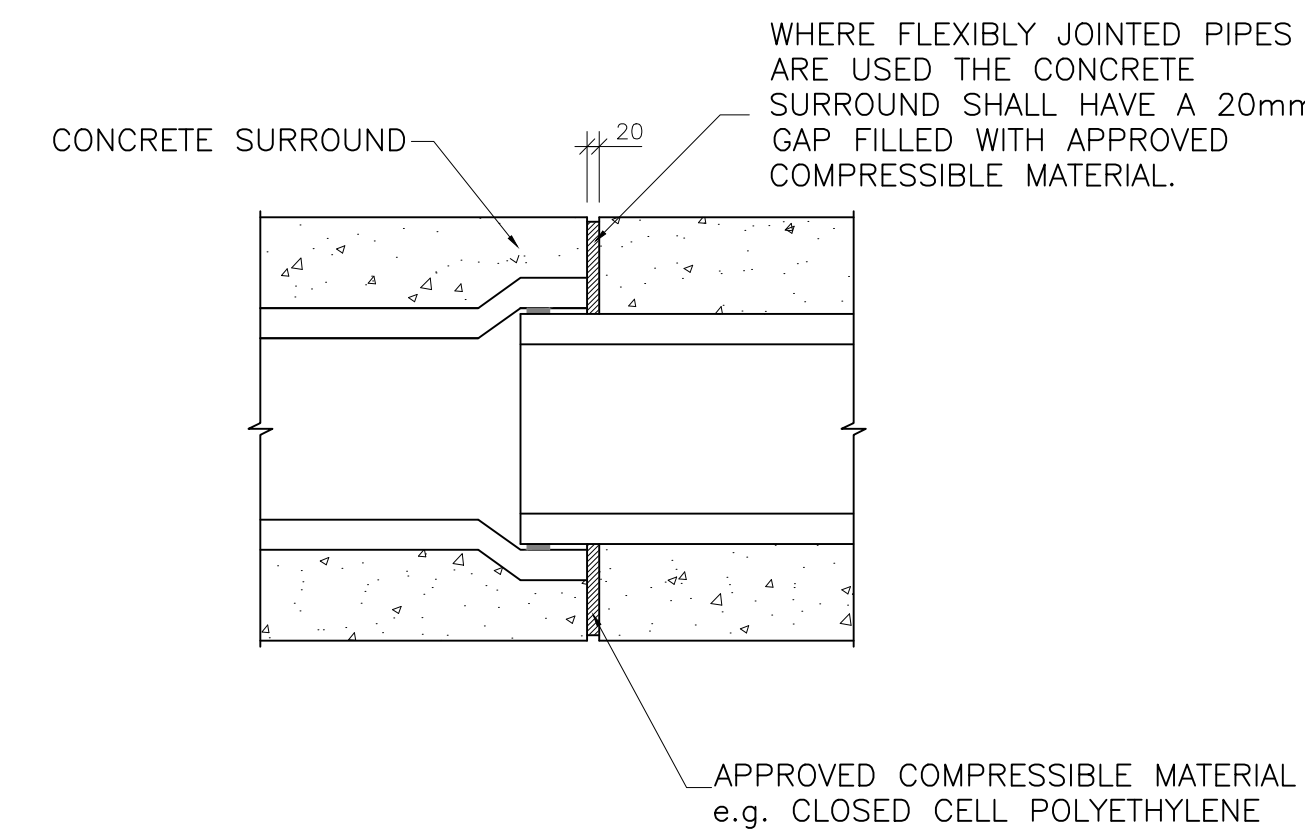


GULLY CONNECTIONS:
 1: EACH GULLY SHALL HAVE A SEPERATE 150 mm CONNECTION SURROUNDED WITH 150mm CLASS 20N/20mm CONCRETE. GULLIES SHALL NOT BE INTERCONNECTED.
 2: WHEN CONNECTION TO PUBLIC SEWERS, BENDS FROM 7° UP TO 45° SHOULD BE USED AS REQUIRED AND A SADDLE JUNCTION FITTED TO MAKE THE CONNECTION TO THE SEWER. LONG RADIUS BENDS ARE PREFERRED.
 3: GULLY CONNECTIONS SHOULD NOT, IF POSSIBLE EXCEED 20m IN LENGHT AND CONNECT TO THE SEWER IN THE DIRECTION OF THE FLOW.
 5: IN UNSEALED GULLIES THE OUTLET PIPE SHALL BE 450mm ABOVE THE FLOOR OF THE GULLY PIT.
 6: WHERE THE GULLIES ARE CONNECTED TO MANHOLES, THEY SHALL BE CONNECTED AT THE BENCHING LEVEL OR A MAXIMUM OF 500mm ABOVE INVERT OF MAIN PIPE.
 7: CONNECTIONS SHALL BE TURNED WITH THE DIRECTION OF FLOW.

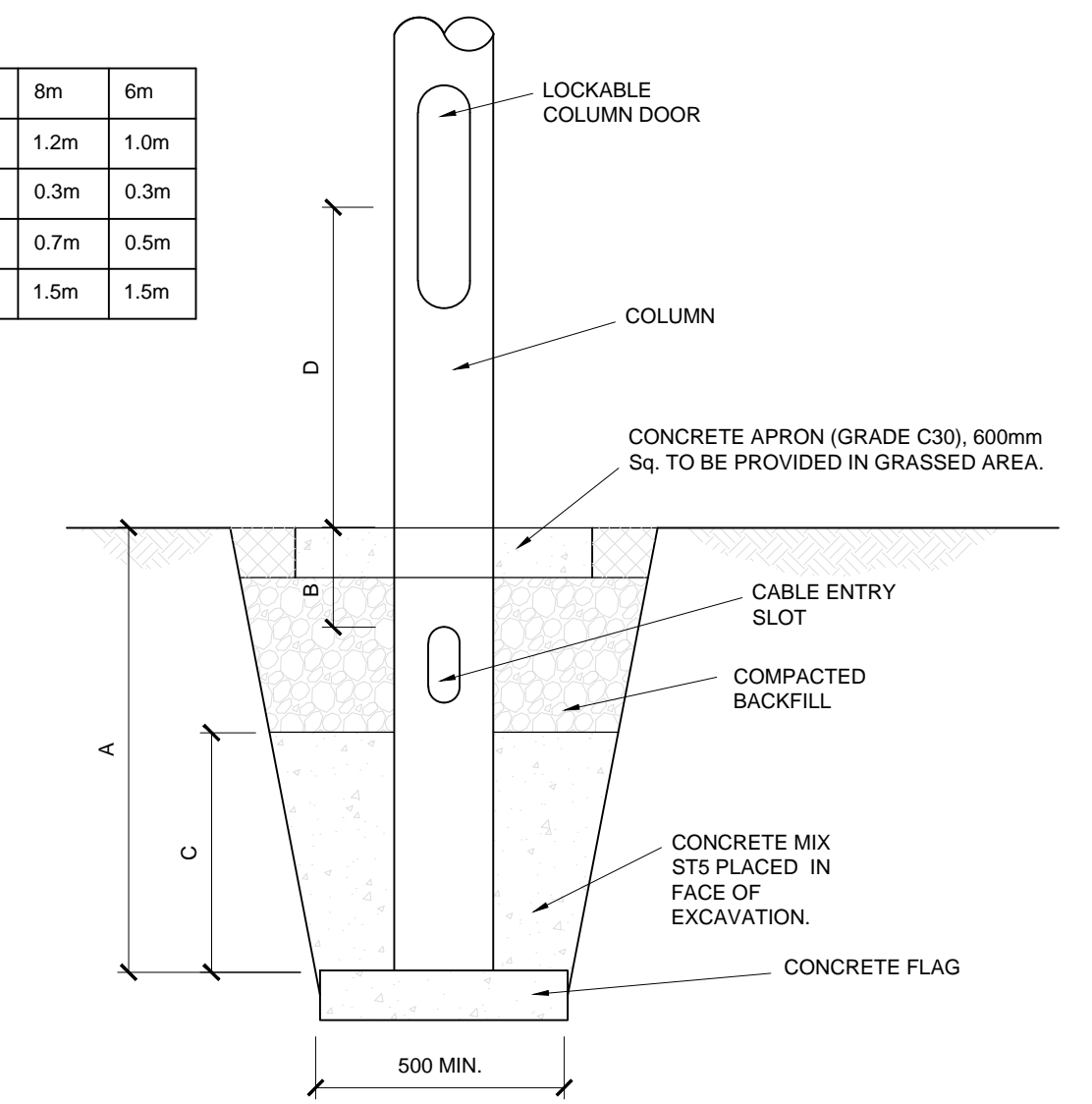


TYPICAL PRECAST GULLY

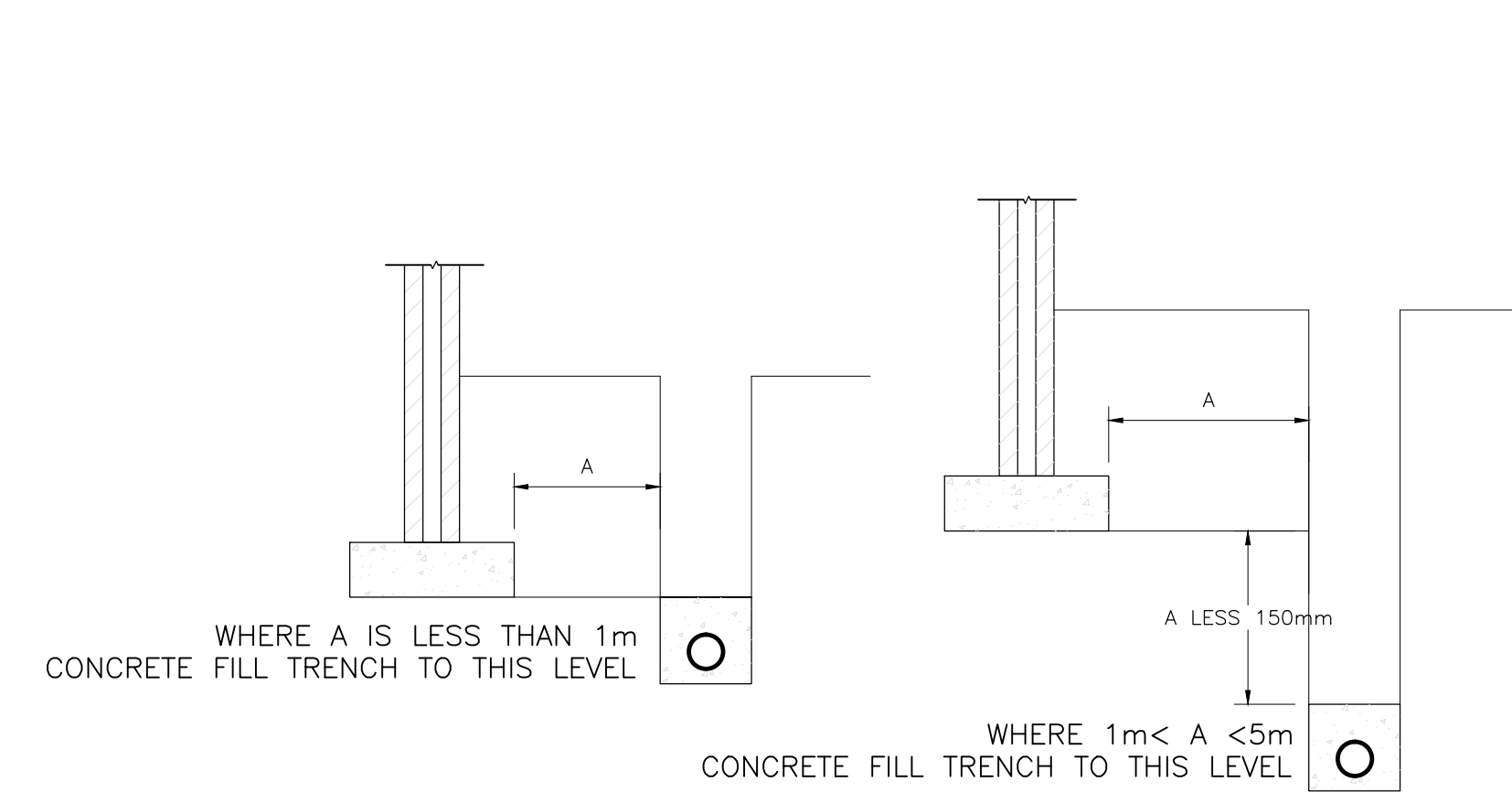


JOINT IN CONCRETE SURROUND

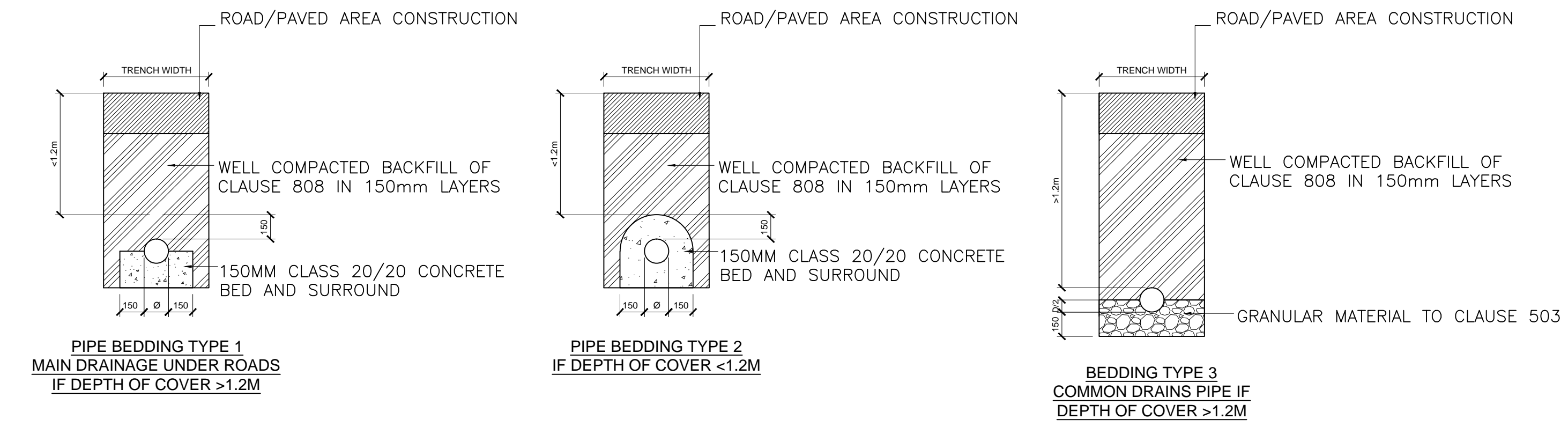
COLUMN MOUNTING HEIGHT	14m	12m	10m	8m	6m	
ROOT DEPTH	A	2.0m	1.7m	1.5m	1.2m	1.0m
CABLE ENTRY DEPTH	B	0.3m	0.3m	0.3m	0.3m	0.3m
ROOTING COLUMN DEPTH	C	1.3m	1.0m	0.8m	0.7m	0.5m
HEIGHT OF COLUMN DOOR	D	1.5m	1.5m	1.5m	1.5m	1.5m



PUBLIC LIGHTING COLUMN ROUTING DETAIL



CONCRETE SURROUND TO PIPE RUN NEAR BUILDINGS / FOUNDATIONS



FOUL SEWER & SURFACE WATER PIPE BEDDING DETAILS

ORDNANCE SURVEY IRELAND LICENCE No. AR 0082517
 © ORDNANCE SURVEY IRELAND / GOVERNMENT OF IRELAND

Rev	Description	By	Date	Chk'd	Auth

ATKINS
 WS Atkins Ireland Ltd. ©

Atkins House, 150-155
 Arside Business Park
 Swords
 Co. Dublin
 Tel (+353) 01 810 8000
 Fax (+353) 01 810 8001

Unit 2B
 2200 Cork Airport
 Business Park
 Cork
 Tel (+353) 021 429 0300
 Fax (+353) 021 429 0360

2nd Floor Technology House
 Parkmore Technology Park
 Galway
 Tel (+353) 091 786 050
 Fax (+353) 091 779 830

Cient

Comhairle Contae Fhine Gall
 Fingal County Council

Project
HOLYWELL FOUL PUMPING STATION RELOCATION

Title STANDARD CONSTRUCTION DETAILS SHEET 3 of 3			
Original Scale N.T.S.	Drawn MG	Checked GH	Authorised JN
Status P	Drawing Number RK5155181C012		Rev -