

Public Display - Traffic Calming - Aspen Road, Kinsealy



COMHAIRLE CONTAE FHINE GALL
 FINGAL COUNTY COUNCIL
 ROAD TRAFFIC ACT 1994 - SECTION 38
TRAFFIC CALMING SCHEME
 Aspen Road, Kinsealy, Co Dublin

Fingal County Council in exercise of the powers conferred on it by Section 38 of the Road Traffic Act 1994 hereby gives notice that it has prepared a Scheme of traffic calming measures at the following locations:

Aspen Road, Kinsealy, Co Dublin

The scheme includes the provision of traffic calming ramps, appropriate road signage and markings where necessary.

Plans and particulars of the Scheme as shown on Drawing No Kinsealy/TC001/02 are available for inspection from 6th May to 3rd June 2016 as follows:-

Fingal County Hall,
 Main Street,
 Swords,
 Co. Dublin. Mon - Fri 9:30am - 4:30pm

Baldyle Library Mon: 9:45am-1:00pm and 1:45pm-8:00pm
 The Mall Tues and Thurs: 11:50am-8:00pm
 Baldyle, Wed, Friday and Saturday: 9:45am-1:00pm and
 Dublin 13 1:45pm-5:00pm

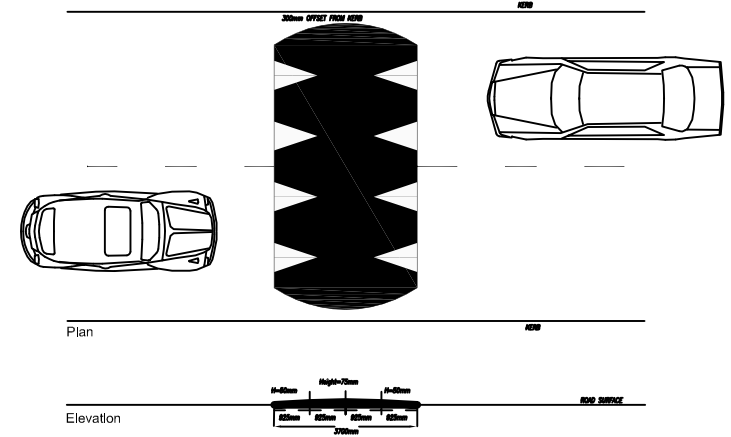
The proposed schemes can also be viewed on-line on the Fingal County Council website: <http://www.fingal.ie/roads-and-travel/>

Representations in relation to the Scheme may be made in writing to: Administrative Officer, Howth Malahide Operations, Fingal County Council, Grove Road, Blanchardstown, Dublin 15 or email howthmalahide@fingal.ie to be received no later than 4:30 pm on Friday 3rd June 2016.

Administrative Officer
 Howth Malahide Operations

TYPICAL LAYOUT OF RAMPS

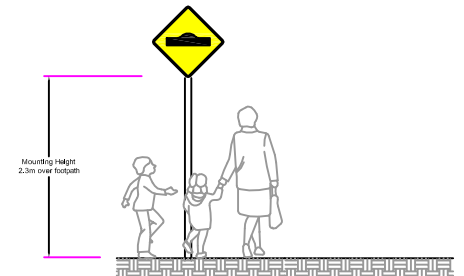
ROUND TOP RAMP



LEGEND:



WARNING SIGN LAYOUT



PUBLIC DISPLAY

Comhairle Contae Fhine Gall
 Fingal County Council



Operations Department Role: as advised
 Grove Road, Blanchardstown, Dublin 15 Built as advised, before as shown, Built As Shown 15

Phone No: 01905000
 Email: road@fingal.ie

ETHNA FELTEN
 DIRECTOR OF SERVICES,
 OPERATIONS DEPARTMENT.

Title:
 PROPOSED TRAFFIC CALMING MEASURES,
 ASPEN ROAD
 KINSEALY

Drawn: SDC	Scale: Not to Scale
Checked: PK	Date: April 2016
Approved: LC	Drg. No: KINSEALY\TC001\02 Rev: