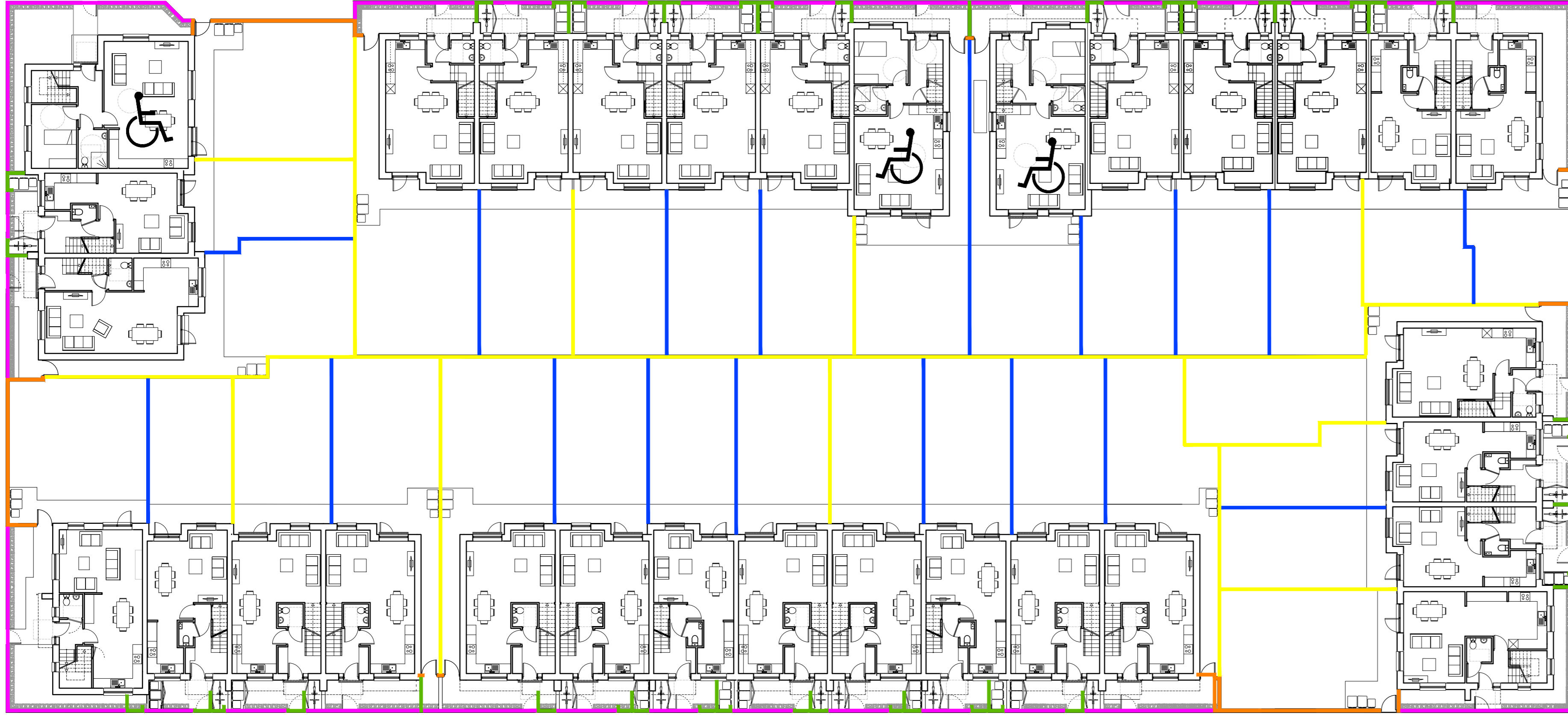
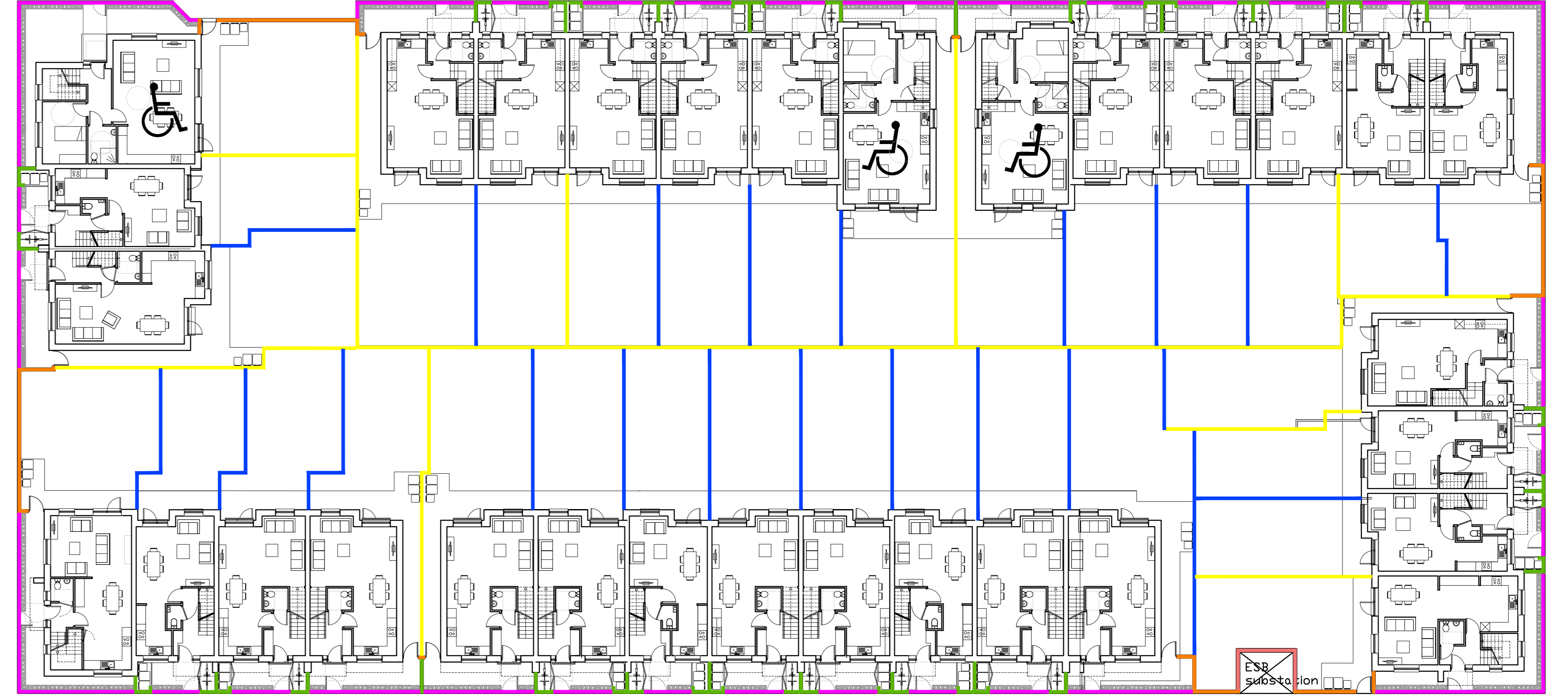


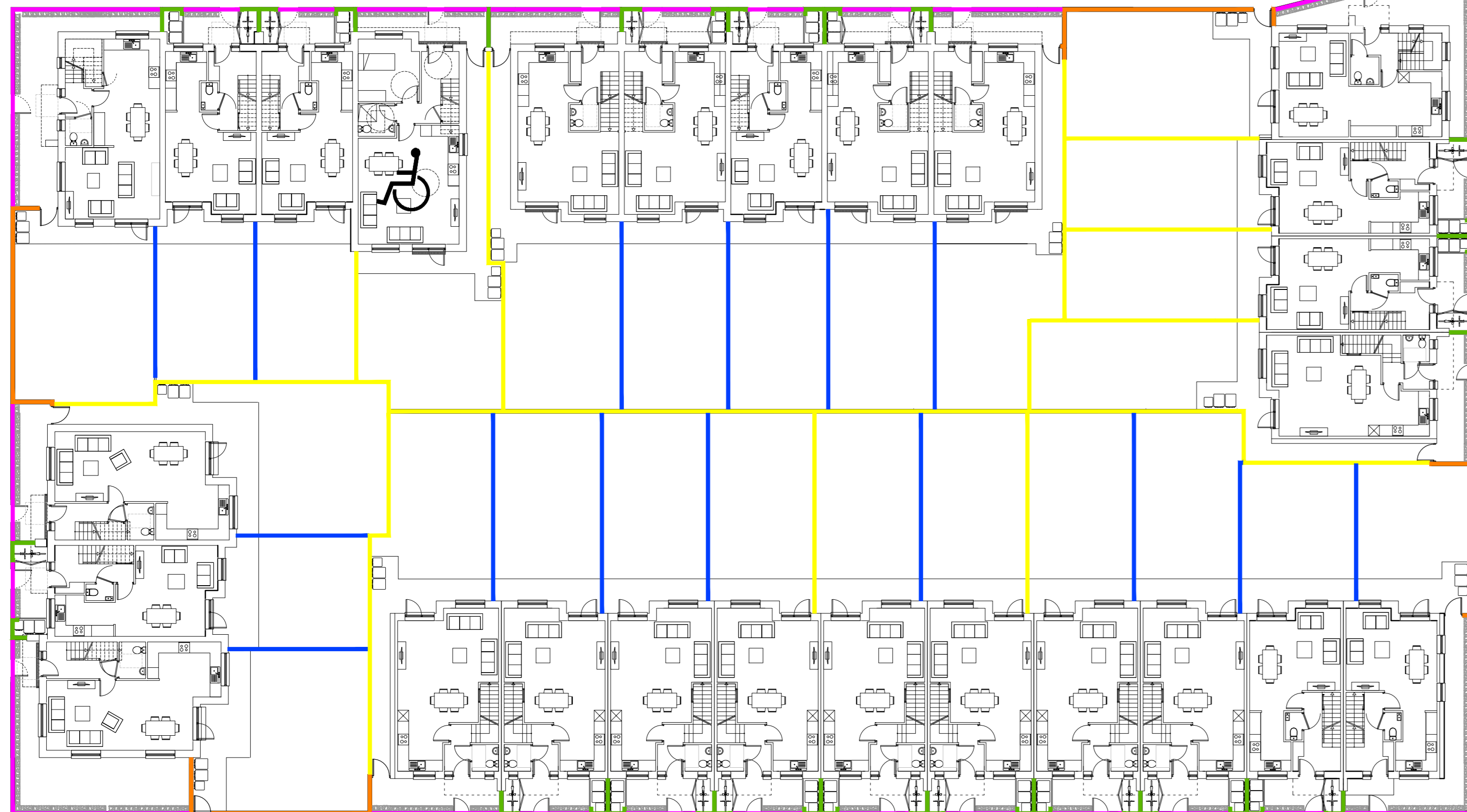
Key Plan - Urban Block VI
Scale 1:200 @ A0



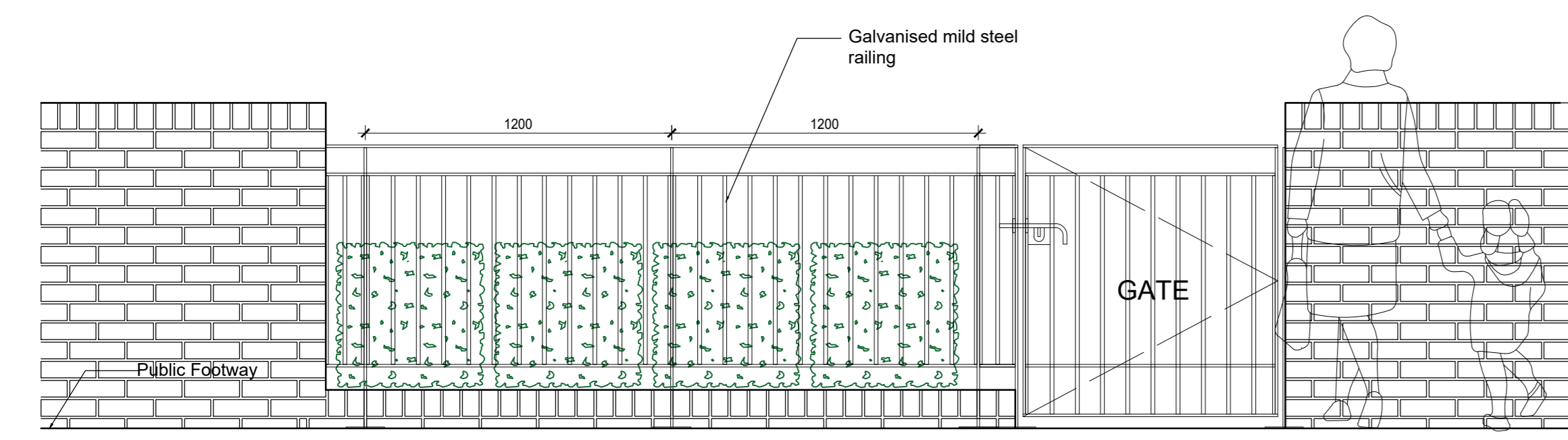
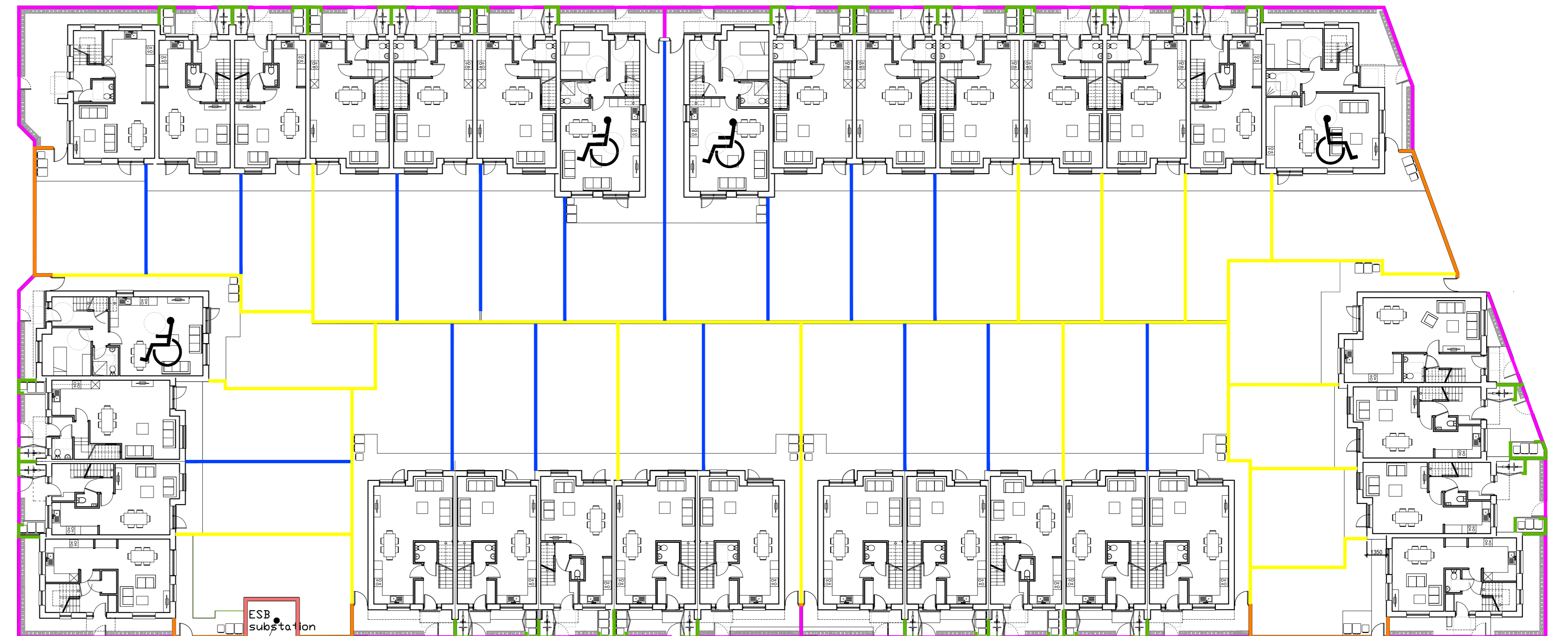
Key Plan - Urban Block VII
Scale 1:200 @ A0



Key Plan - Urban Block VIII
Scale 1:200 @ A0



Key Plan - Urban Block IX
Scale 1:200 @ A0

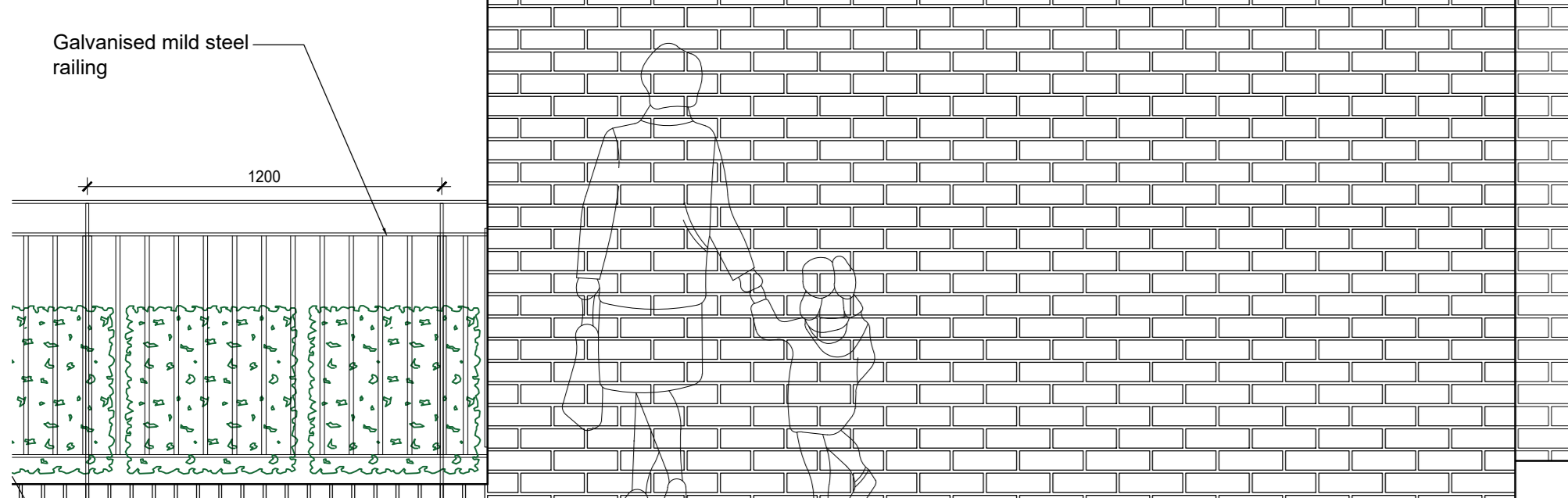


Elevation - Wall Type A
Scale 1:20 @ A1

Elevation - Wall Type B
Scale 1:20 @ A1

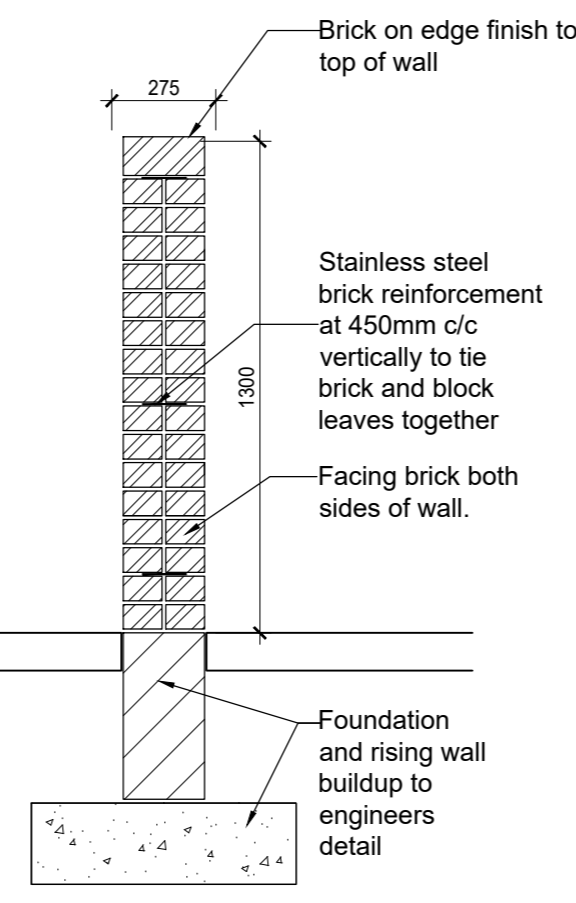
Elevation - Wall Type A
Scale 1:20 @ A1

TYPICAL ELEVATION OF 'ESB UNIT SLIP' RECESSED IN BOUNDARY WALL IN 2 OF 3 No. LOCATIONS TO URBAN HOUSING BLOCKS 'V' & 'X'

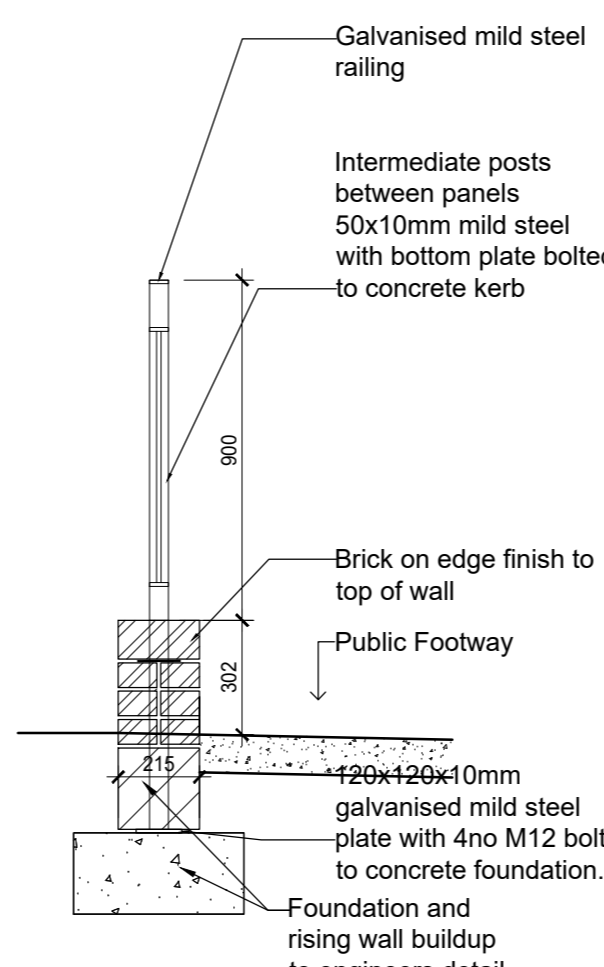


Elevation - Wall Type A
Scale 1:20 @ A1

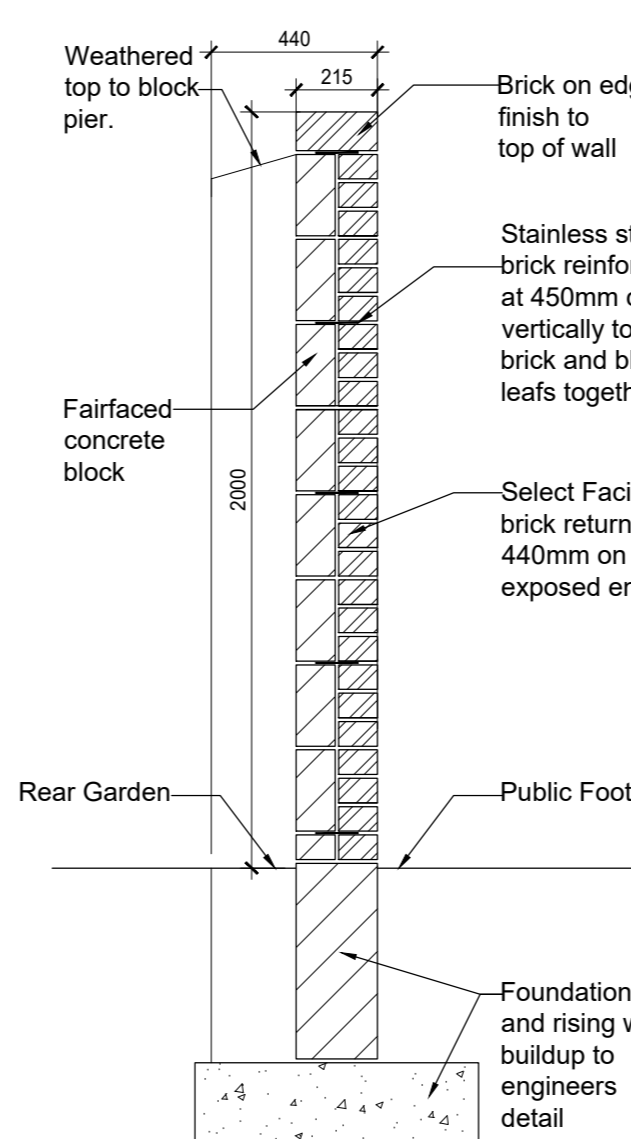
Elevation - Wall Type C
Scale 1:20 @ A1



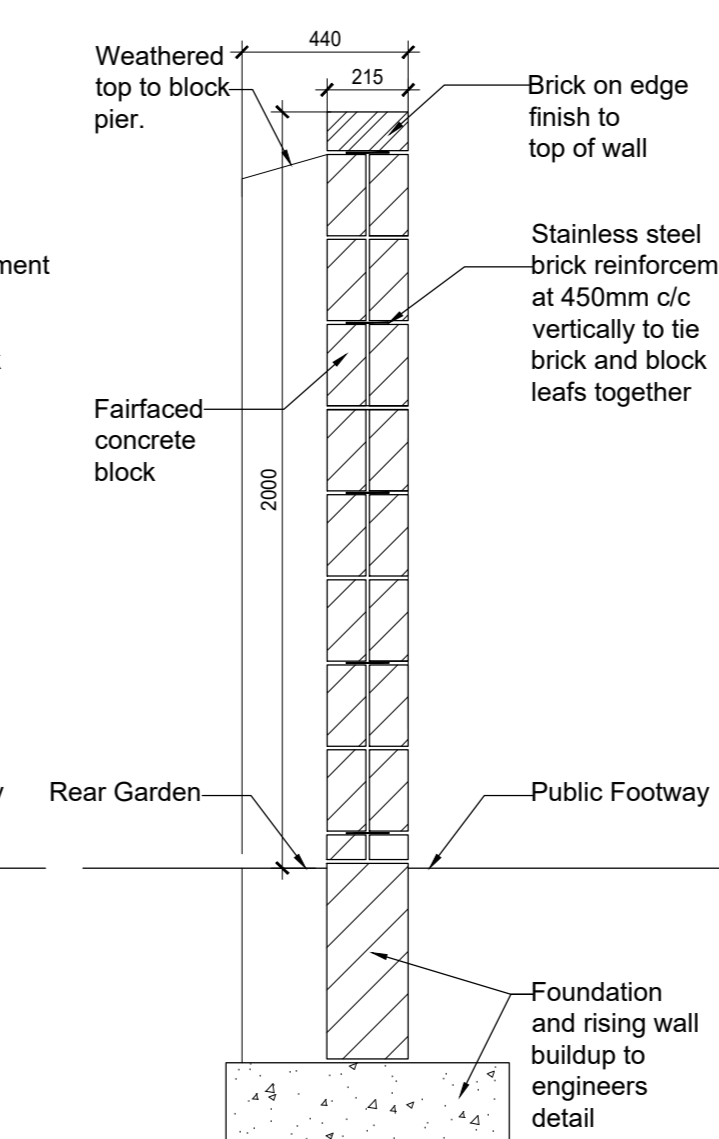
Section - Wall Type A
Scale 1:20 @ A1



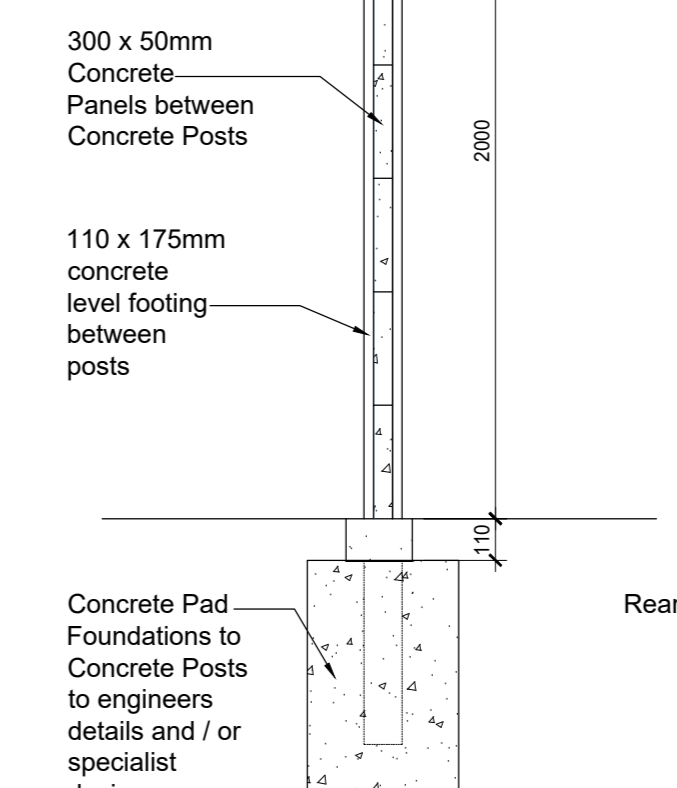
Section - Wall Type B
Scale 1:20 @ A1



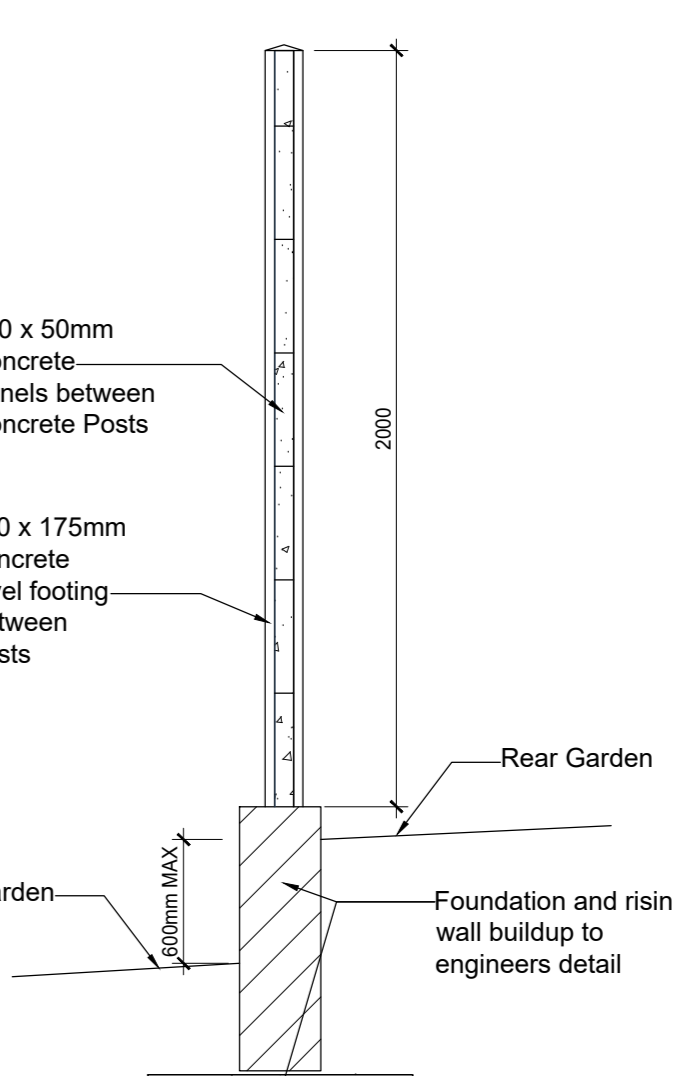
Section - Wall Type C
Scale 1:20 @ A1



Section - Wall Type D
Scale 1:20 @ A1



Section - Wall Type E
Scale 1:20 @ A1



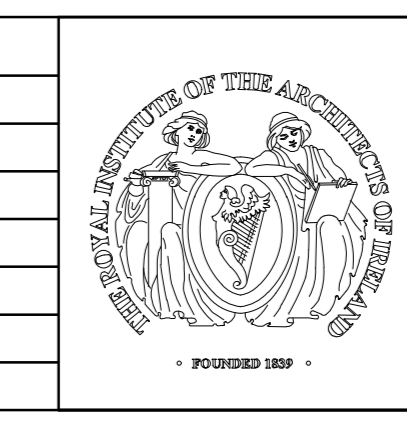
Section - Wall Type F
Scale 1:20 @ A1

Legend -Wall/Railing Type:

- █ Wall Type A: 1300mm high 215mm thick brick wall with brick capping
- █ Wall Type B: 900 mm high railing set into min. 300mm high, 215mm thick brick wall with brick capping
- █ Wall Type C: 2000mm high 215mm thick wall - brick leaf facing public space and block wall facing private gardens with brick capping.
- █ Wall Type D: 2000mm high 215mm thick block wall with brick capping.
- █ Wall Type E: 2000mm high concrete post and panel fencing
- █ Wall Type F: 2000mm high concrete post and panel fencing, on retaining structure with tanking, drainage to engineers' details
- █ Wall Type G: 1100 mm high selected railing set

REVISIONS AFTER LAST PLOT:

| No. | Description |
|-----|-------------|
| | |
| | |
| | |



| | | |
|--|------------------|-----------------------|
| PROJECT: CHURCH FIELDS EAST | DATE: 26/05/2023 | SCALE: 1:20, 1:200@A0 |
| DRAWING: Boundary Type Layout Plan, Elevation & Section Details (SHEET 1) | DRAWN: RN | JOB NO. K/20009P |
| STAGE: PLANNING | REVISION: 20009 | DWG. NO. P-102 |
| walsh associates ARCHITECTS & PROJECT MANAGERS <small>Copyright © 2023 Walsh Associates. All Rights Reserved.</small> | | |