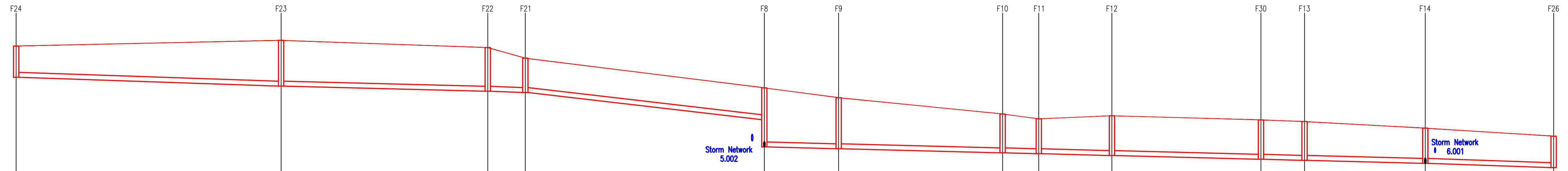


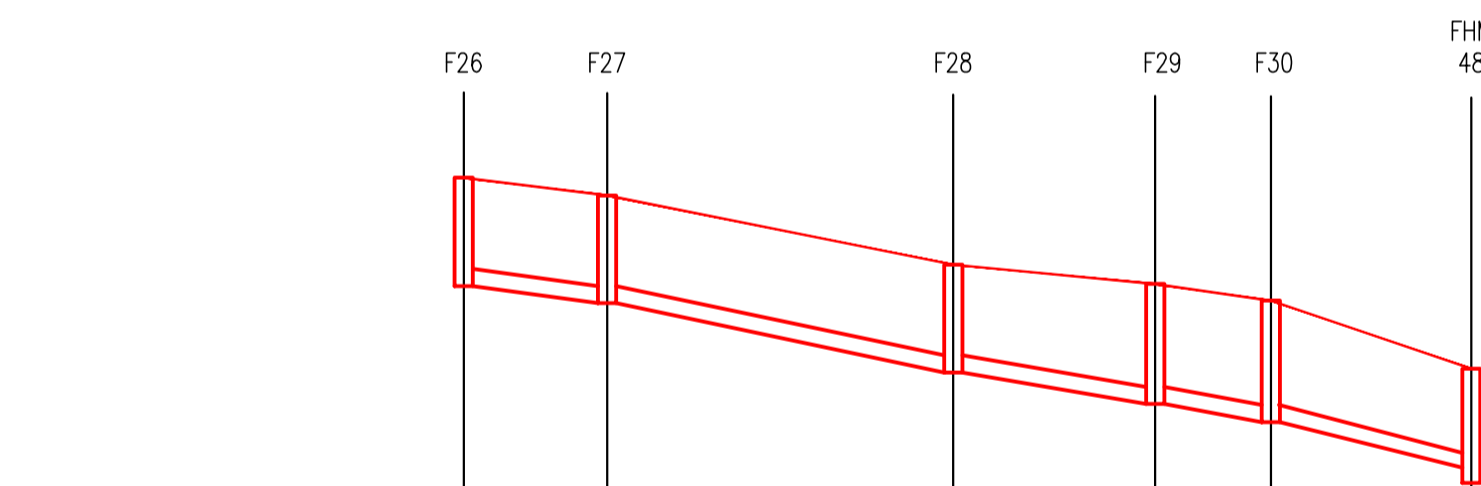
ALL TRENCHES IN EXPOSED ROCK TO BE LINED WITH LIQUID BITUMEN SPRAY IMMEDIATELY AFTER EXPOSURE.

- NOTES:
- DO NOT SCALE. USE FIGURED DIMENSIONS ONLY.
 - THIS DRAWING IS TO BE READ IN CONJUNCTION WITH ALL OTHER RELEVANT ARCHITECTURAL AND ENGINEERING DRAWINGS.



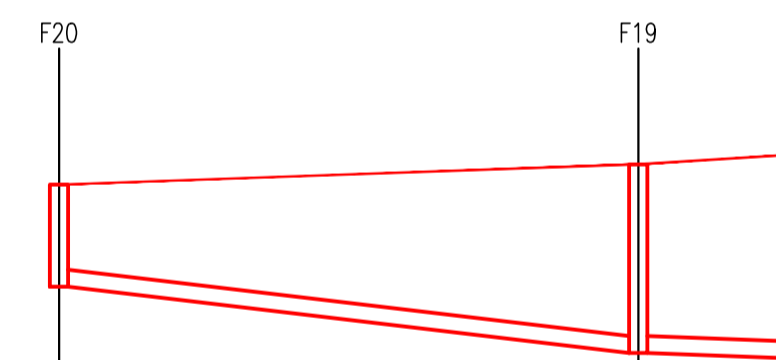
Vert exaggeration = 5.0 Datum = 77.0

Link Name		1.001		1.002		1.003		1.004		1.004_1		1.005		1.006		1.007		1.008		1.009		1.010		1.012	
Section Type		225mm		225mm		225mm		225mm		225mm		225mm		225mm		225mm		225mm		225mm		225mm		225mm	
Slope (1:X)		1:150.7		1:200.1		1:149.8		1:44.0		1:201.2		1:200.5		1:200.8		1:200.4		1:199.5		1:198.3		1:200.4		1:151.3	
Cover Level (m)	86.500		86.760		86.430	85.947				84.595	84.147			83.405	83.185		83.325		83.135	83.060		82.760		82.395	
Invert Level (m)	85.075		84.675		84.440	84.383				83.147	81.907		81.823		81.637	81.596		81.513		81.343	81.293		81.156		80.963
Length (m)		60.264		47.015		8.540		54.373		16.900		37.297		8.232	16.631		33.913		9.915		27.456		29.200		



Vert exaggeration = 5.0

Link Name	1.013	1.014	1.014_1	1.015	1.016
Section Type	225mm	225mm	225mm	225mm	225mm
Slope (1:X)	1:41.8	1:25.0	1:32.0	1:32.0	1:20
Cover Level (m)	82.395	82.161	81.245	80.989	80.770
Invert Level (m)	80.963	80.736	79.820	79.403	79.030
Length (m)	9.482	22.894	13.355	7.650	13.259



Vert exaggeration = 5.0 Datum = 80.0

Link Name		5.000	4.001
Section Type		225mm	225mm
Slope (1:X)		1:43.8	1:149.5
Cover Level (m)	84.200		84.468
Invert Level (m)	82.850		81.075
Length (m)		38.308	10.166

REF:
CDS23001981

REFER TO DRAWING
20-074-T4200 FOR THE PLAN
VIEW OF THE DRAINAGE LAYOUT

REV.	DATE	AMENDMENT	DRN	APPD
—	31/05/23	ISSUED FOR PLANNING	MS	IW

STATUS **FOR PLANNING**

Waterman Moylan
Engineering Consultants

BLOCK S, EASTPOINT BUSINESS PARK, ALFIE BYRNE ROAD,
DUBLIN D03 H3F4 IRELAND. Tel: (01) 664 8900
Email: info@waterman-moylan.ie www.waterman-moylan.ie

CLIENT **FINGAL COUNTY COUNCIL**
ARCHITECT **WALSH & ASSOCIATES**
PROJECT **CHURCH FIELDS EAST**

TITLE **FOUL LONG SECTIONS – SHEET 1 OF 2**

DRAWN MS	DESIGNED JB	APPROVED IW	DATE MAY 2023
SCALE 1:500	JOB NO. 20-074	DRG. NO. T4230	REVISION —