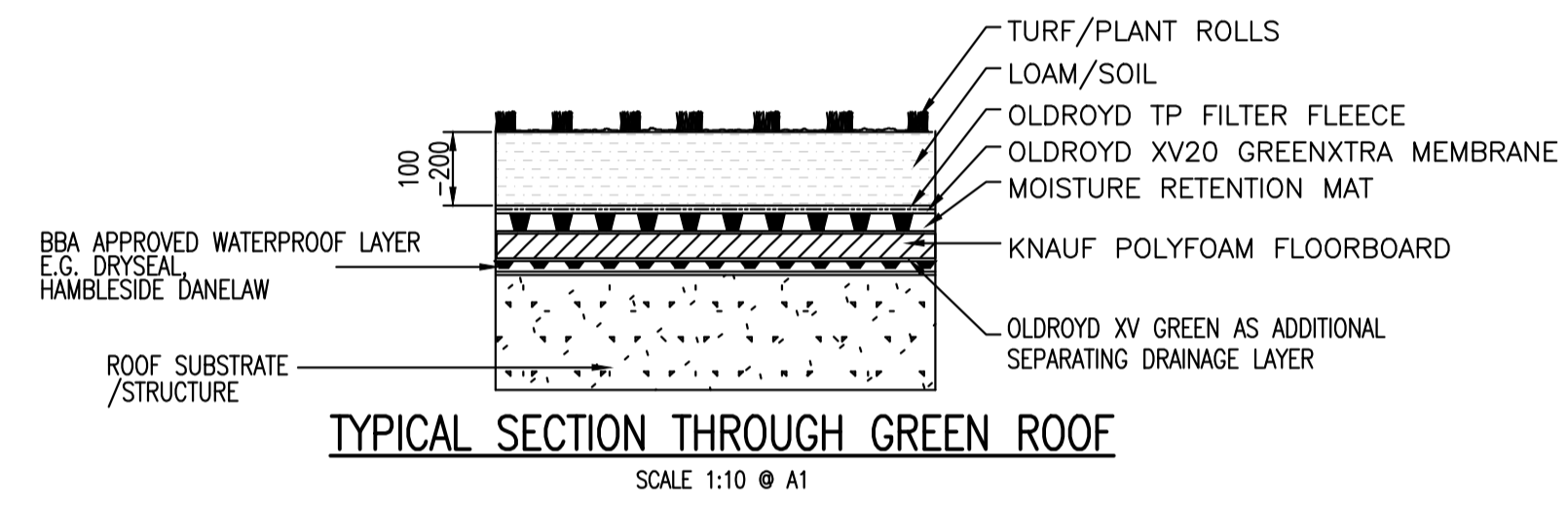
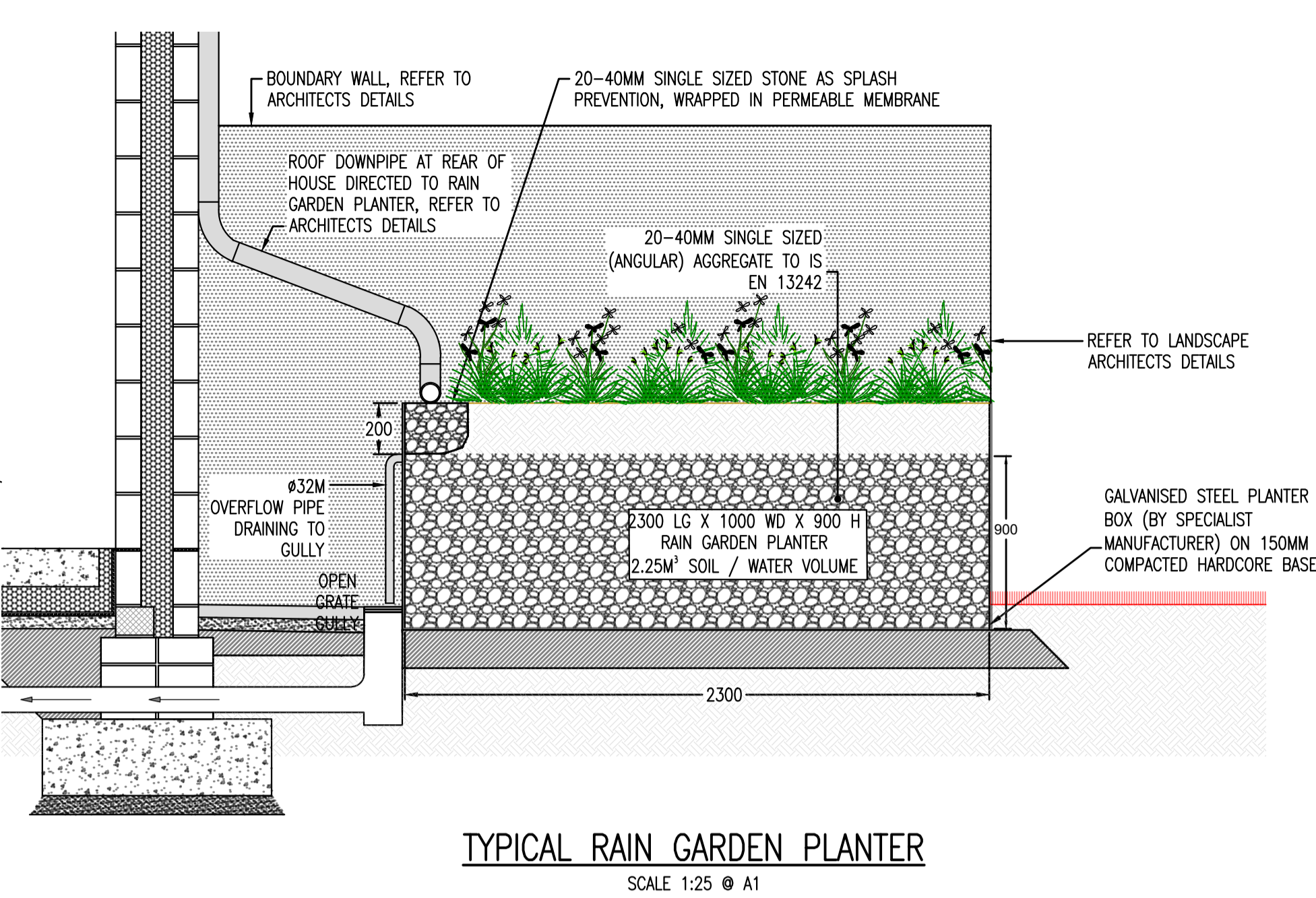
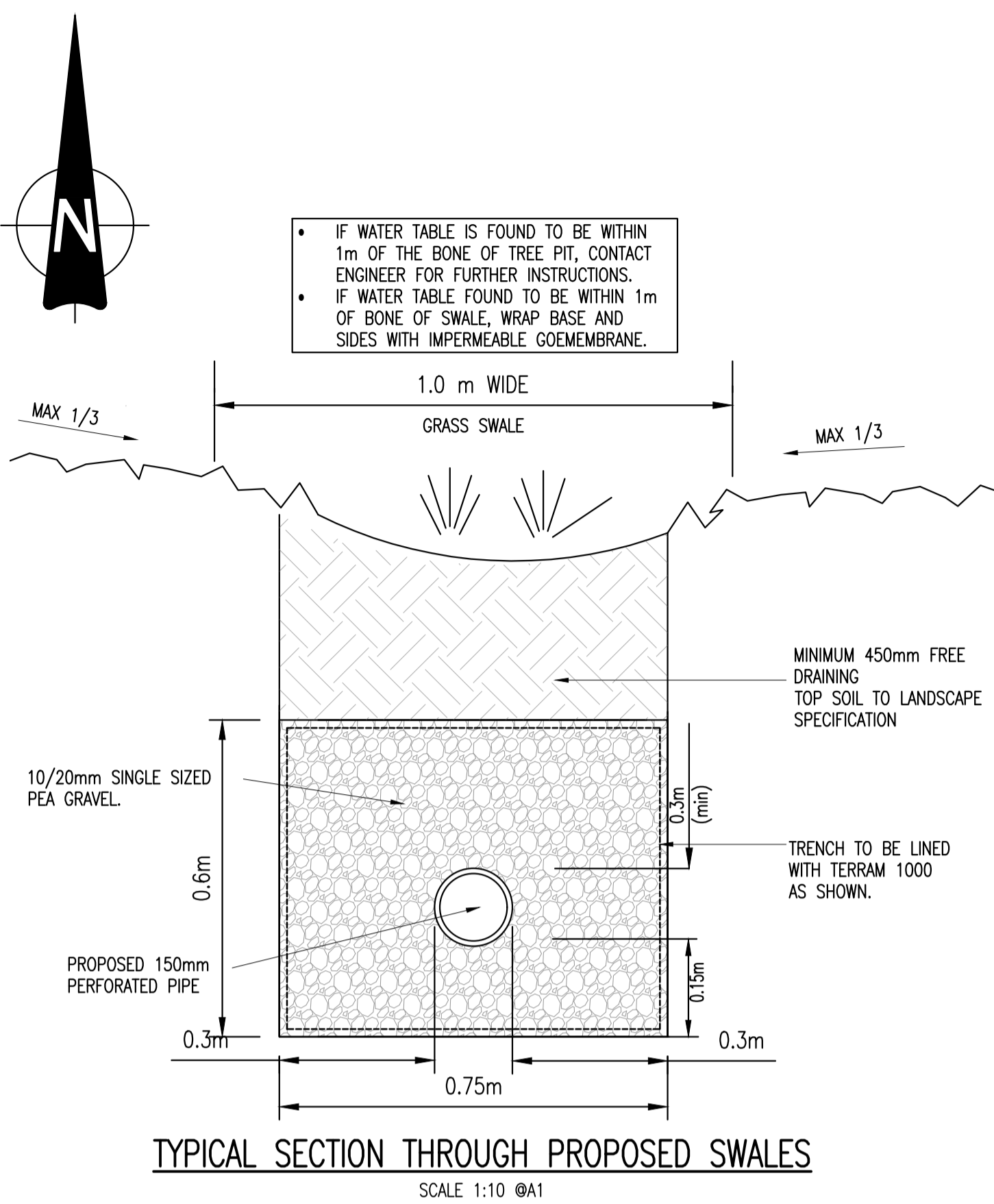
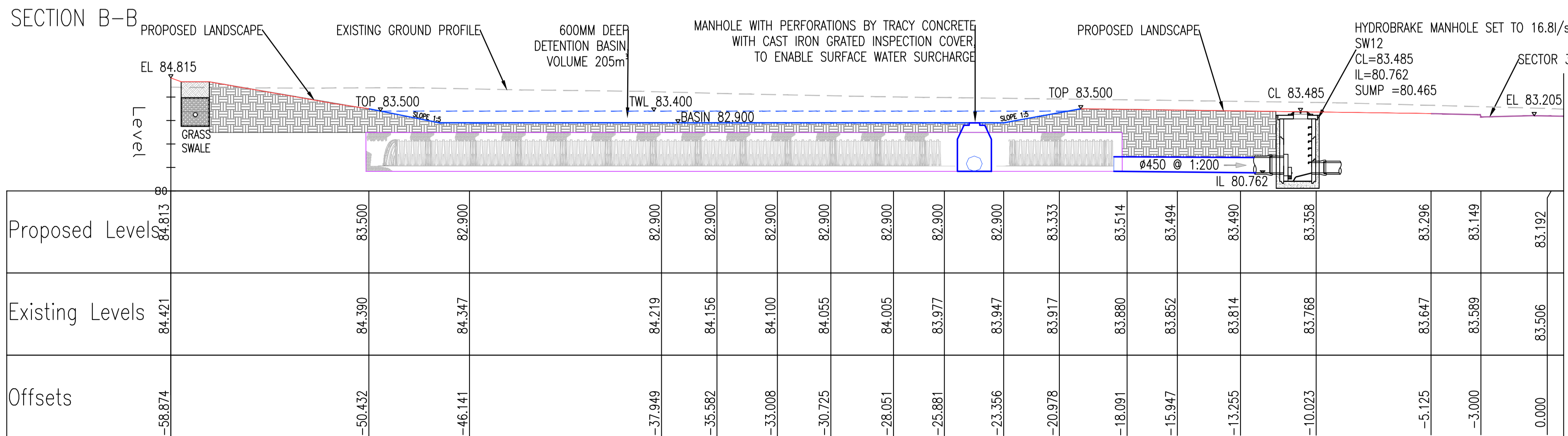
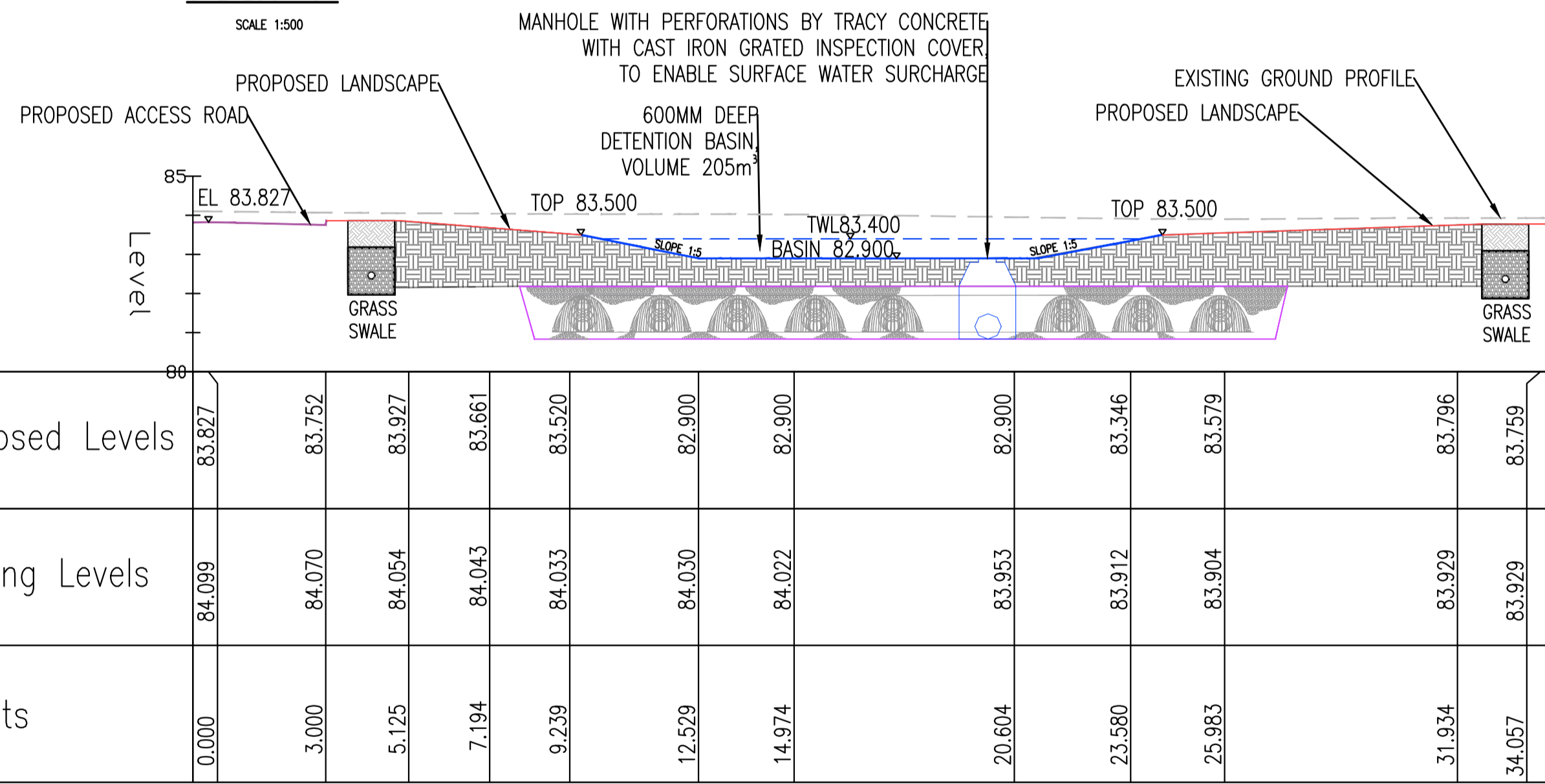


**SITE LOCATION**  
SCALE 1:500



- NOTES:-
1. READ IN CONJUNCTION WITH ALL RELEVANT ARCHITECT'S AND ENGINEER'S DRAWINGS.
  2. DO NOT SET OUT FROM THIS DRAWING. SETTING OUT TO BE DONE FROM ARCHITECT'S DRAWINGS.
  3. MANHOLE AND ROAD GULLY DETAILS TO COMPLY WITH GREATER DUBLIN REGIONAL CODE OF PRACTICE FOR DRAINAGE WORKS.
  4. ALL PIPES UP TO AND INCLUDING 150MM TO BE WAVIN TRITEC LAID IN ACCORDANCE WITH IAB BUILDING PRODUCTS CERTIFICATION. MINIMUM FALL 1/80 UNO. HOUSE DRAINS TO BE LAID A MINIMUM OF 5M FROM REAR OF HOUSE, UNO.
  5. ALL PIPES 225MM AND OVER TO BE S&S CONCRETE WITH RUBBER RINGS, LAID ON A 150MM CONCRETE BED AND HAUNCHED OR SURROUNDED.
  6. WHERE COVER TO PIPES IS LESS THAN 1.2M IN ROADS, 1.0M IN PUBLIC AREAS AND 0.8M IN GRASSED/LANDSCAPED AREAS, SURROUND THE PIPE UP TO 150MM WITH 100MM CONCRETE AND LARGER PIPES WITH 150MM CONCRETE.
  7. BACK-FILL TRENCHES IN ROADS TO DETAIL.
  8. ADJUST FOUNDATION DEPTHS, AS NECESSARY, ADJACENT TO SEWERS TO AVOID UNDERMINING OF THE FOUNDATIONS.
  9. MANHOLE COVERS AND FRAMES SHALL COMPLY WITH THE LA STANDARD PATTERN WITH MIN OPENING OF 600MM & WITH CLOSED KEYWAYS. ALL MANHOLES COVERS TO COMPLY WITH IS EN 124-1994. GROUP 4 (MIN. CLASS D400) MANHOLES IN ALL TRAFFICKED AREAS, MINIMUM GROUP 2 (MIN. CLASS B125) TO BE USED IN FOOTWAYS, PEDESTRIAN AREAS AND COMPARABLE AREAS, CLASS D400 SHOULD BE USED IN FOOTPATHS WHERE HEAVY VEHICLES HAVE THE POTENTIAL TO ACCESS OR MOUNT FOOTPATHS AND THESE COVERS SHOULD BE FREE OF TRIP HAZARDS, REMOVABLE PARTS AND BE LOCKABLE, AN EXAMPLE OF SUITABLE COVER TYPE IS A CAVANAGH BROZNA, SUPPLIED BY CAVANAGH FOUNDRY LTD. GROUP 1 (MIN. CLASS A15) MAY BE USED IN ENCLOSED PRIVATE GARDENS ONLY.
  10. MANHOLES ON HOUSE DRAINS TO BE IN PRIVATE PROPERTY. HOUSE DRAINS SHALL NOT PASS THROUGH PROPERTY THEY DO NOT SERVE.
  11. DOUBLE GULLIES, WITH SEPARATE CONNECTIONS TO MAIN, TO BE PROVIDED AT LOW POINTS AND AT THE ENDS OF CUL DE SACS. MAXIMUM RUN OF PIPE 15M. MINIMUM PIPE DIAMETER 150MM. MAXIMUM GULLY SPACING FOR ROADS UP TO 7M WIDE TO BE 50M UNO.
  12. ALL ROAD GULLIES TO BE CLOSED IN THE DIRECTION OF TRAFFIC FLOW.
  13. ALL GULLY TOPS SHALL COMPLY WITH THE LA STANDARD. GROUP 3 (MIN. CLASS C250) WHERE GULLY ARE LOCATED IN THE KERBSIDE CHANNELS OF ROADS WHICH WHEN MEASURED FROM THE KERB, EXTEND A MAXIMUM OF 0.5M INTO THE CARRIAGEWAY AND A MAXIMUM OF 0.2M INTO THE FOOTWAY. GROUP 4 (MIN CLASS D400) TO BE USED ELSEWHERE. ALL GULLY COVERS TO COMPLY WITH IS EN 124-1994.
  14. RECORD DRAWINGS OF THE AS CONSTRUCTED WORK SHALL BE MADE AVAILABLE TO POGA AT THE END OF THE PROJECT.
  15. ALL CONNECTIONS TO EXISTING PUBLIC SERVICES MUST BE DETERMINED BY THE MAIN CONTRACTOR PRIOR TO ANY CONSTRUCTION ON SITE. ALL EXISTING INVERT LEVELS TO BE CONFIRMED TO THE ENGINEERS AND ALL DISCREPANCIES NOTIFIED TO PAT O'GORMAN & ASSOCIATES BEFORE ANY CONSTRUCTION COMMENCES.
  16. NO PONDING IS ACCEPTABLE. ALL LEVELS TO BE DISHED TO GULLIES.



- ATTENUATION TANK 4
- Vol Req = 860m<sup>3</sup>
  - Vol Prov = 895m<sup>3</sup>
  - (205m<sup>3</sup> above ground, 690m<sup>3</sup> below ground)
  - Above ground area = 518m<sup>2</sup> @1:5 side slopes.
  - CL: 82.900 (bottom of depression)
  - IL: 80.835
  - TWL: 83.400
  - Stormtech MC3500 below ground
  - Below ground area = 703m<sup>2</sup> (60% porosity)
  - Depth 1.7m

REV.	DATE	AMENDMENT	DRN	APPD
-	31/05/23	ISSUED FOR PLANNING	MS	IW

STATUS **FOR PLANNING ONLY**  
**NOT FOR CONSTRUCTION**

**Waterman Moylan**  
Engineering Consultants

BLOCK 5, EASTPOINT BUSINESS PARK, ALFIE BYRNE ROAD,  
DUBLIN D03 H3F4 IRELAND. Tel: (01) 664 8900  
Email: info@waterman-moylan.ie www.waterman-moylan.ie

CLIENT	FINGAL COUNTY COUNCIL		
ARCHITECT	WALSH & ASSOCIATES		
PROJECT	CHURCH FIELDS EAST		
TITLE	SuDS CONSTRUCTION DETAILS		
DRAWN	DESIGNED	APPROVED	DATE
MS	NM	IW	MAY 2023
SCALE	JOB NO.	DRG. NO.	REVISION
AS SHOWN @ A1	20-074	P4204	-