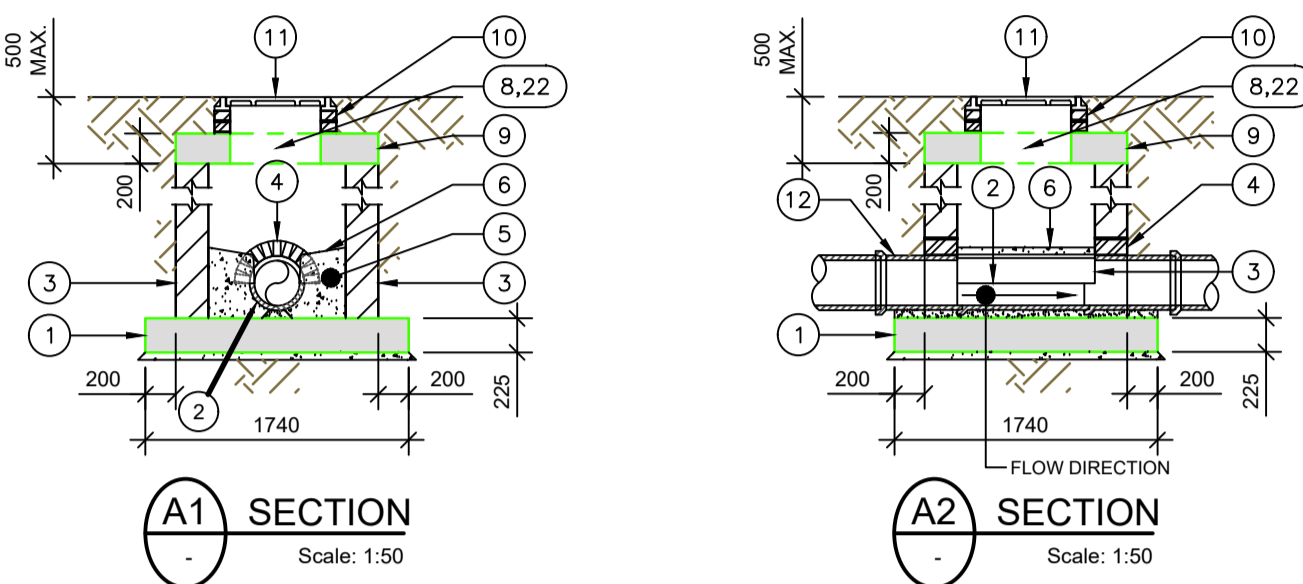
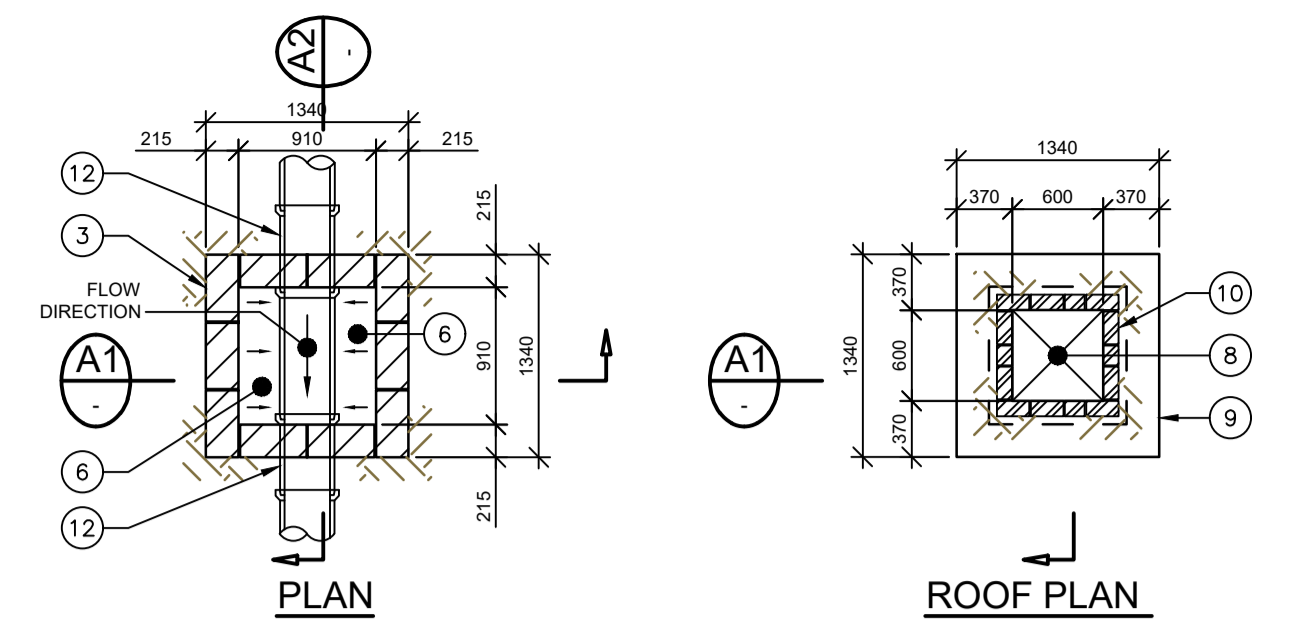
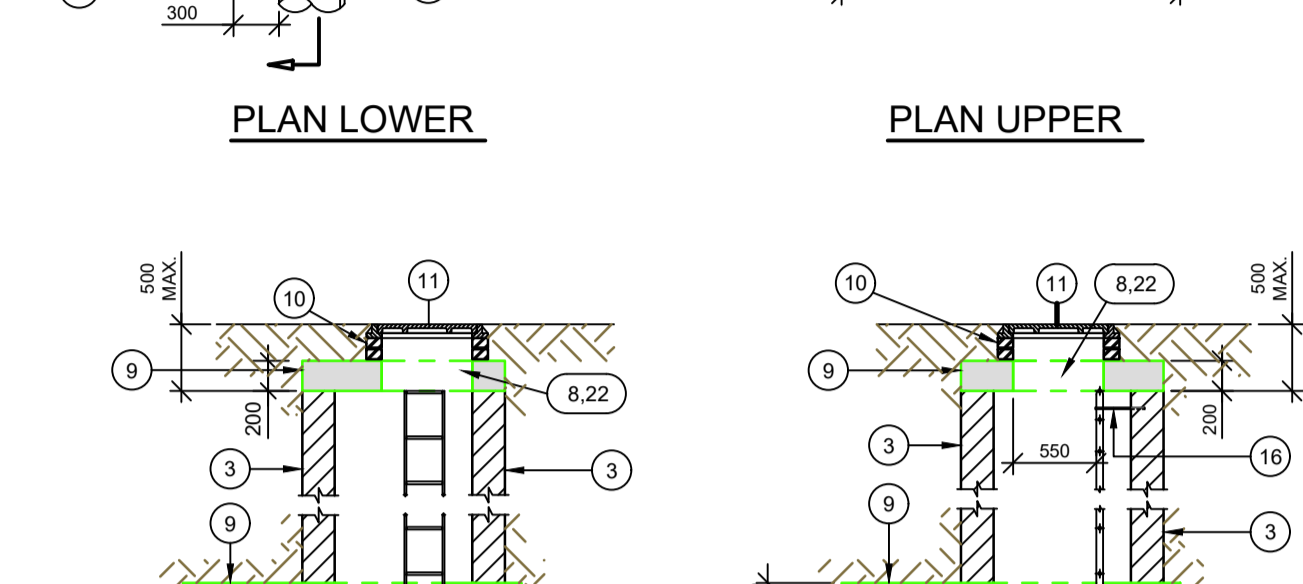
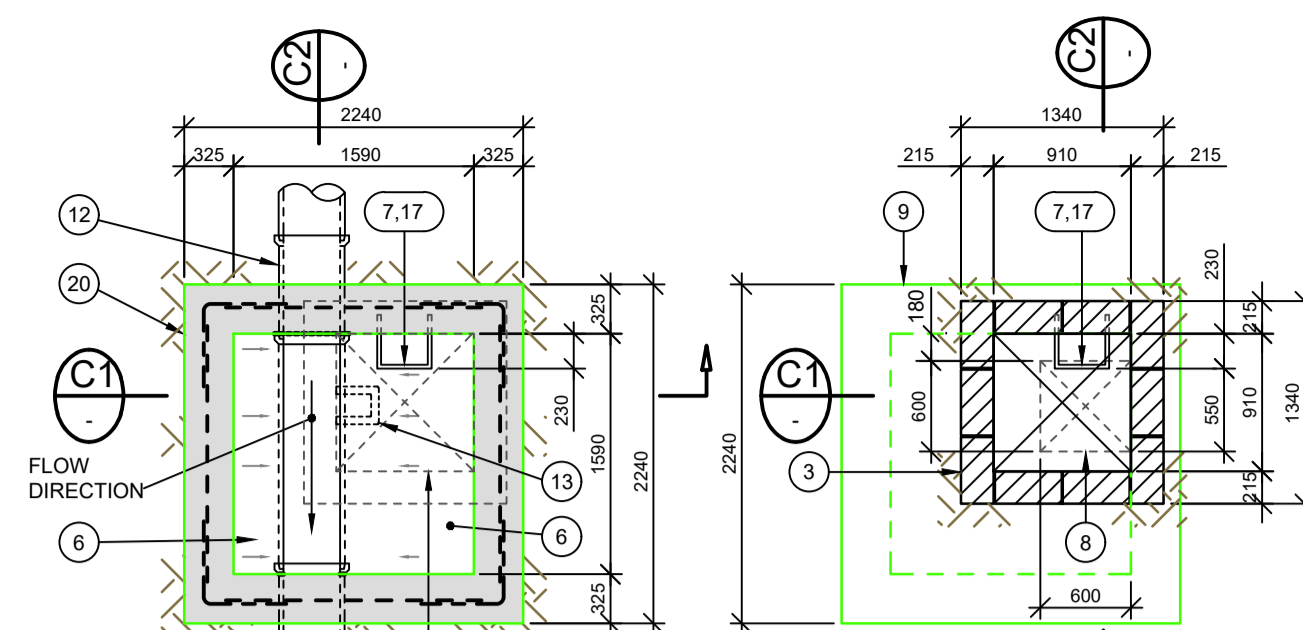


NOTES

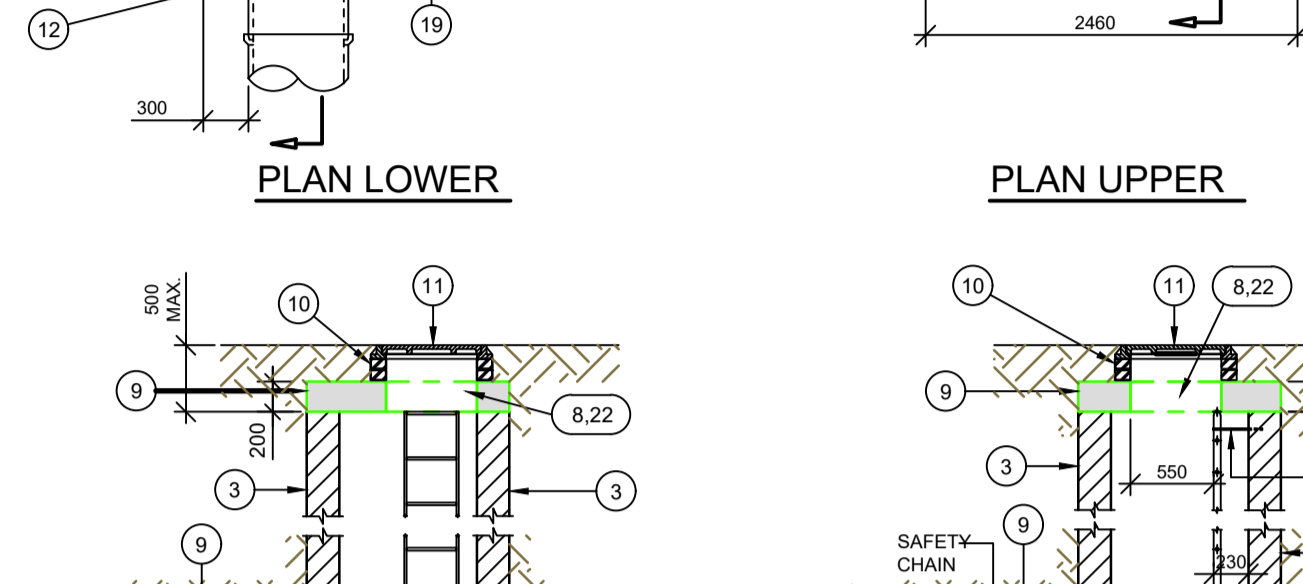
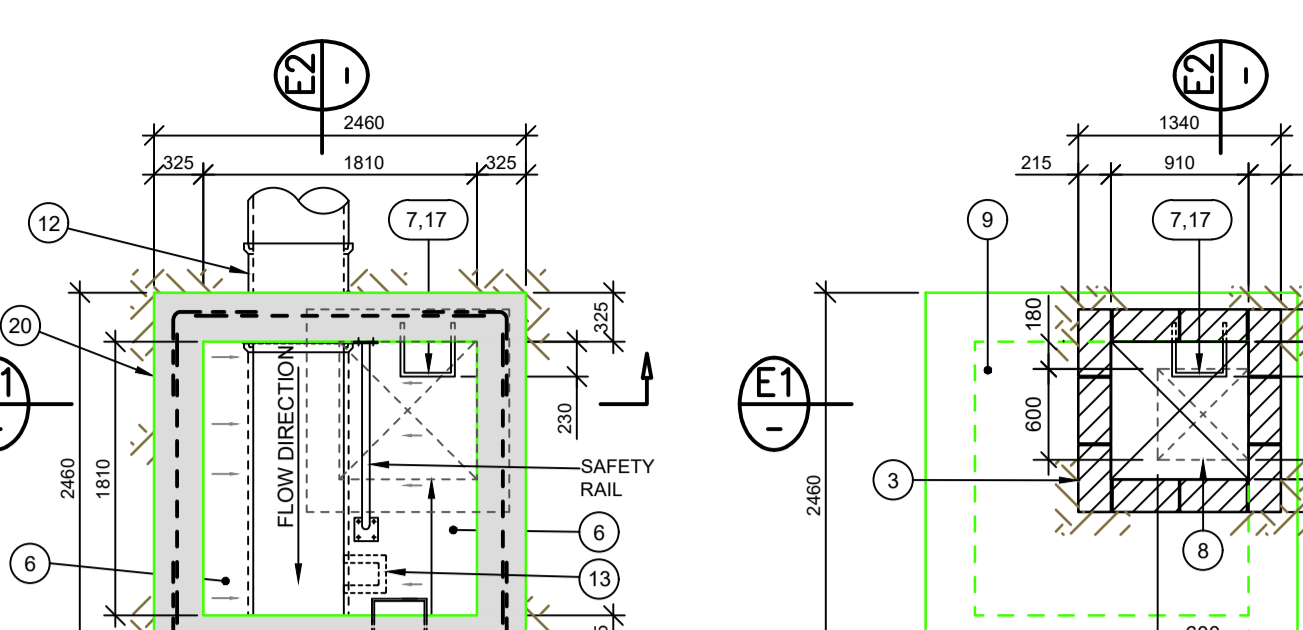
- THIS DRAWING IS TO BE READ IN CONJUNCTION WITH RELEVANT ARCHITECTS AND ENGINEERS DRAWINGS.
- FIGURED DIMENSIONS ONLY TO BE TAKEN FROM THIS DRAWING. ALL DIMENSIONS TO BE CHECKED ON SITE. ENGINEER TO BE INFORMED IMMEDIATELY OF ANY DISCREPANCIES BEFORE ANY WORK PROCEEDS.



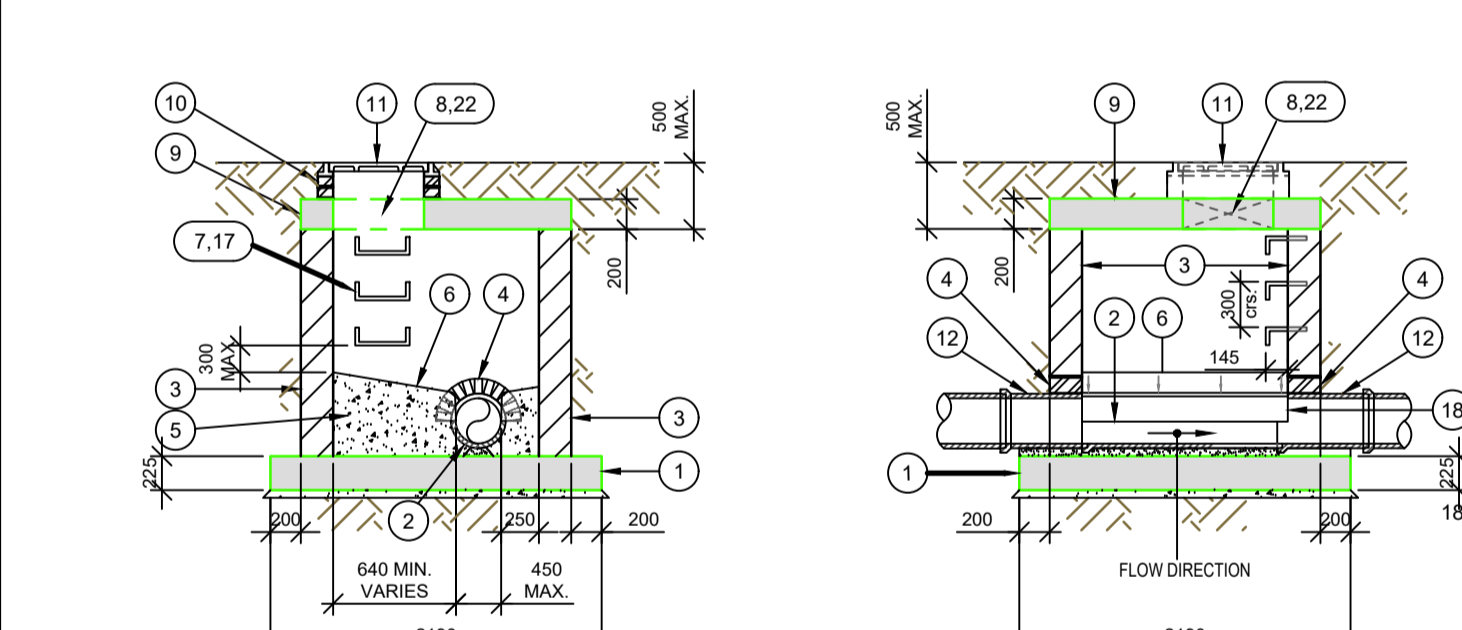
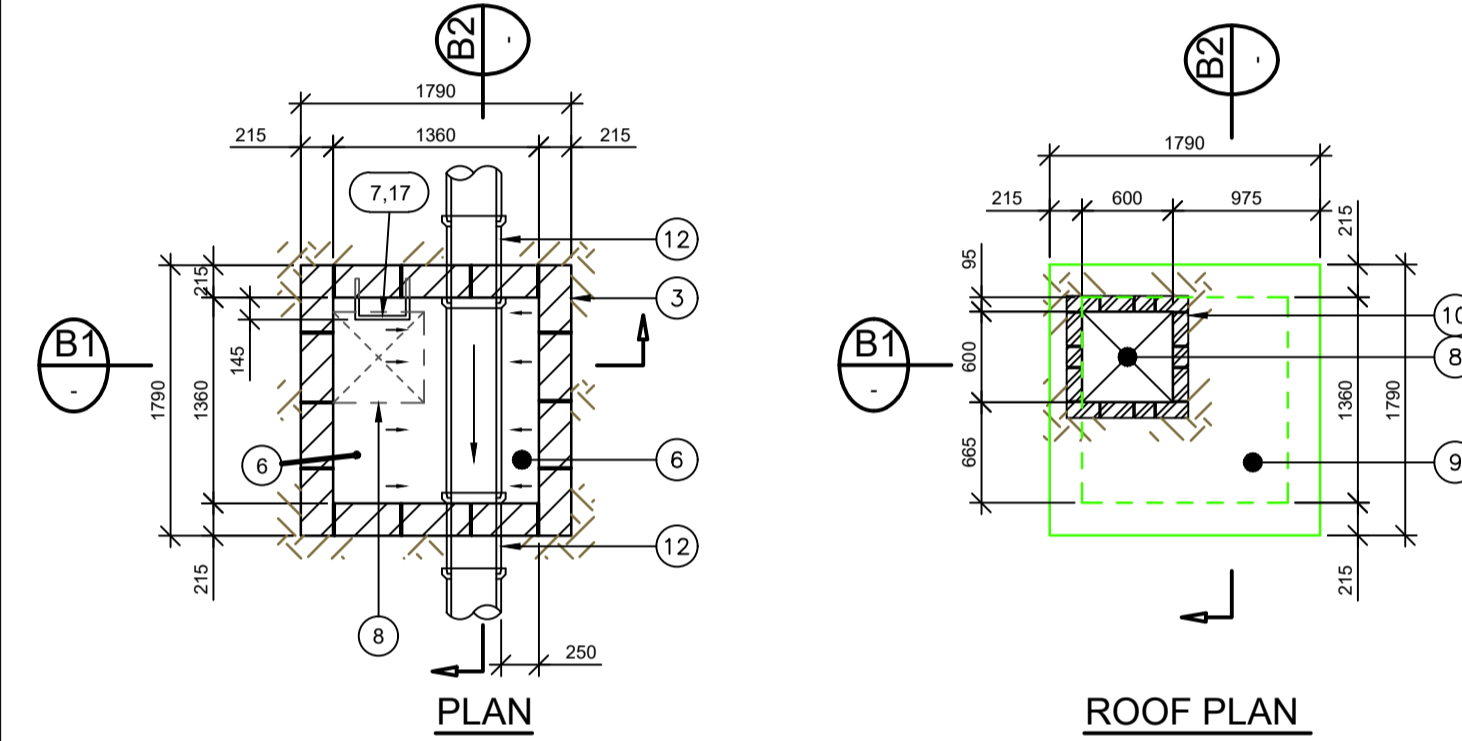
MANHOLE TYPE A (FOR PIPE DIAMETERS 150,225,300,375,450 mm)
DEPTH TO INVERT < 1m



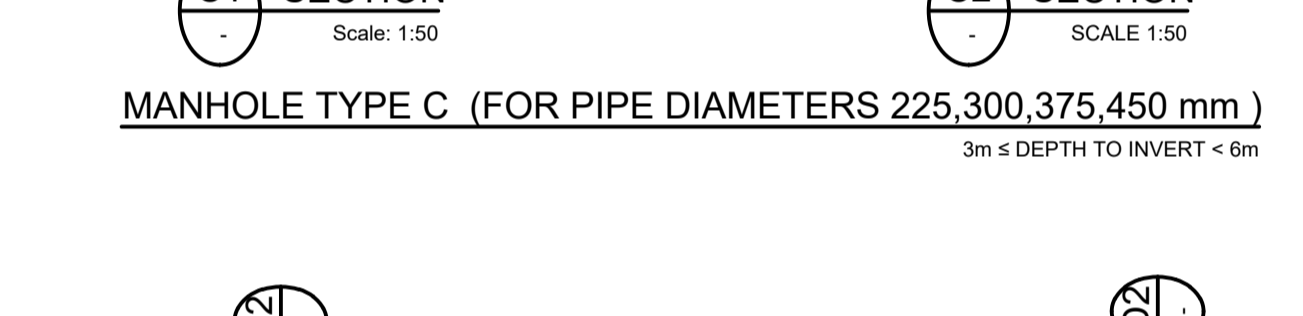
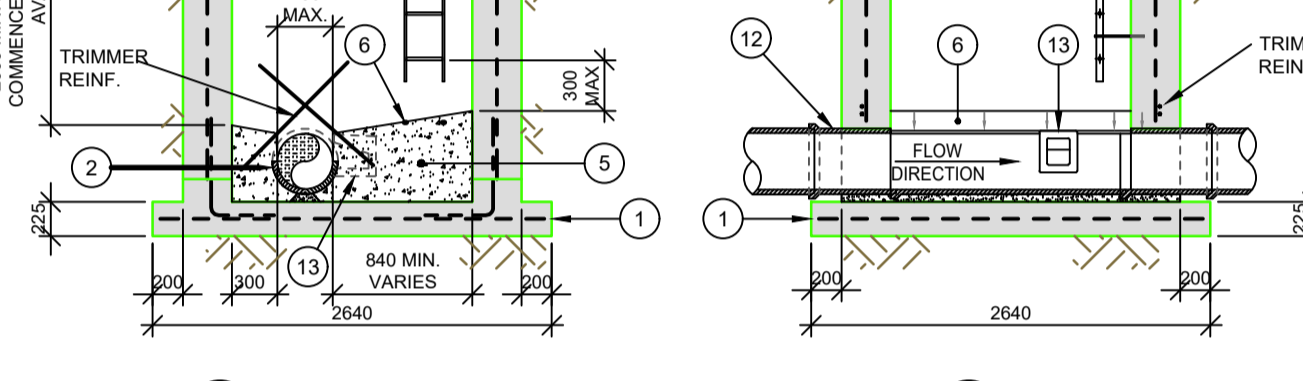
MANHOLE TYPE C (FOR PIPE DIAMETERS 225,300,375,450 mm)
3m ≤ DEPTH TO INVERT < 6m



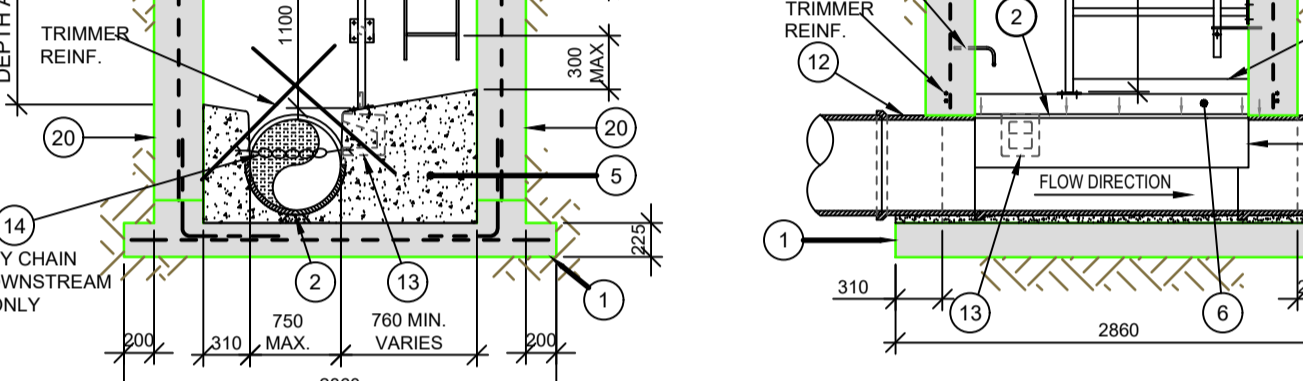
MANHOLE TYPE E (FOR PIPE DIAMETERS 525,600,675,750 mm)
3m ≤ DEPTH TO INVERT < 6m



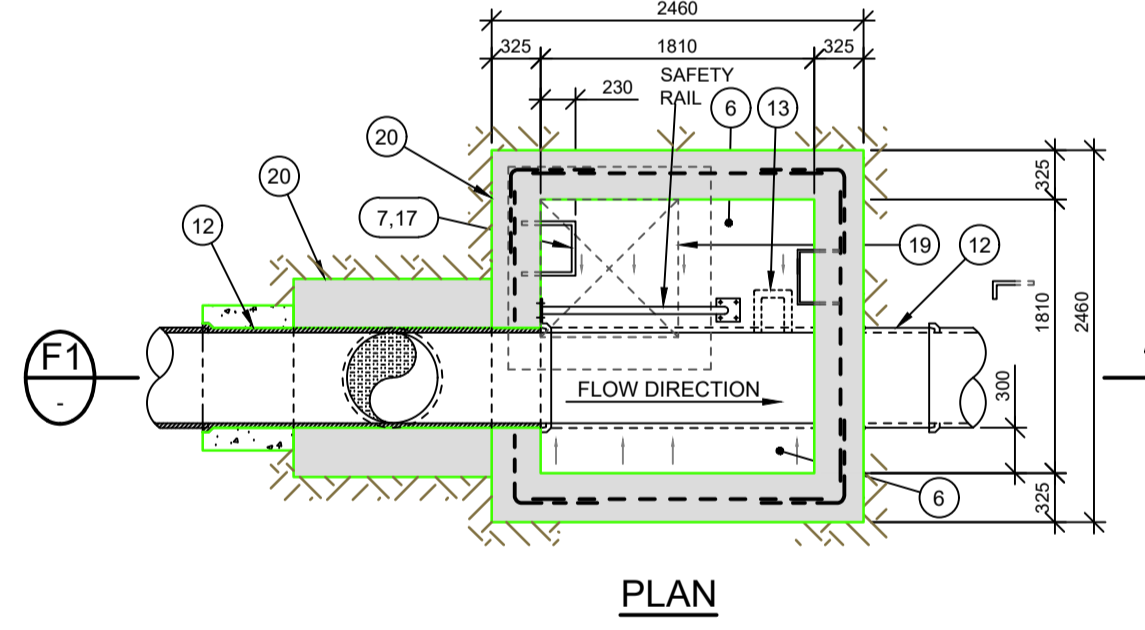
MANHOLE TYPE B (FOR PIPE DIAMETERS 225,300,375,450 mm)
1m ≤ DEPTH TO INVERT < 3m



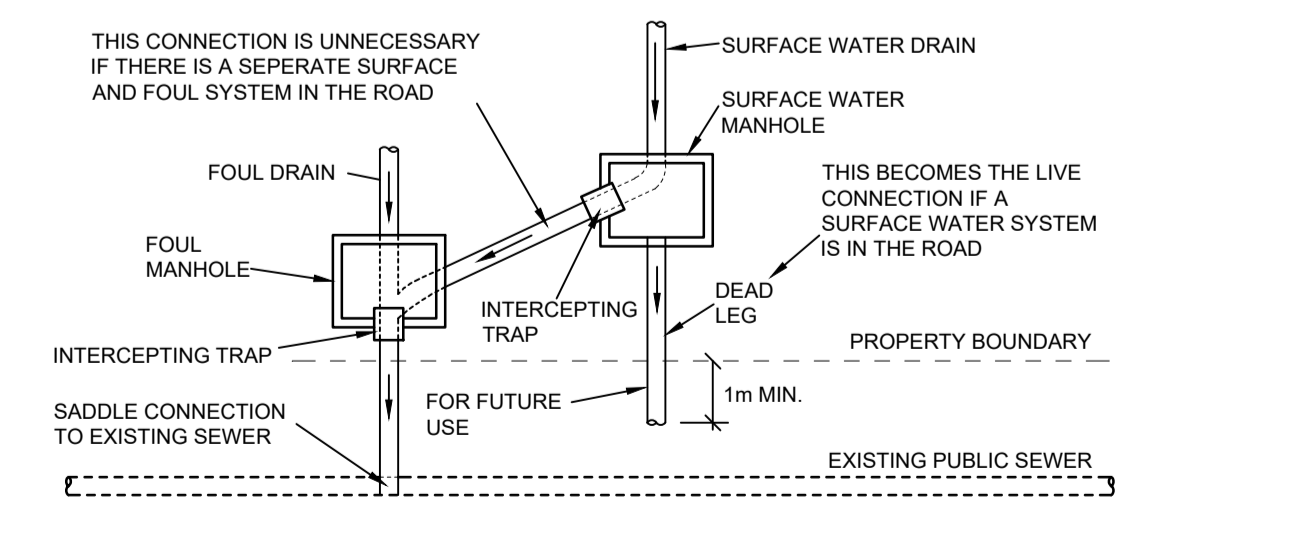
MANHOLE TYPE D (FOR PIPE DIAMETERS 525,600,675,750 mm)
1m ≤ DEPTH TO INVERT < 3m



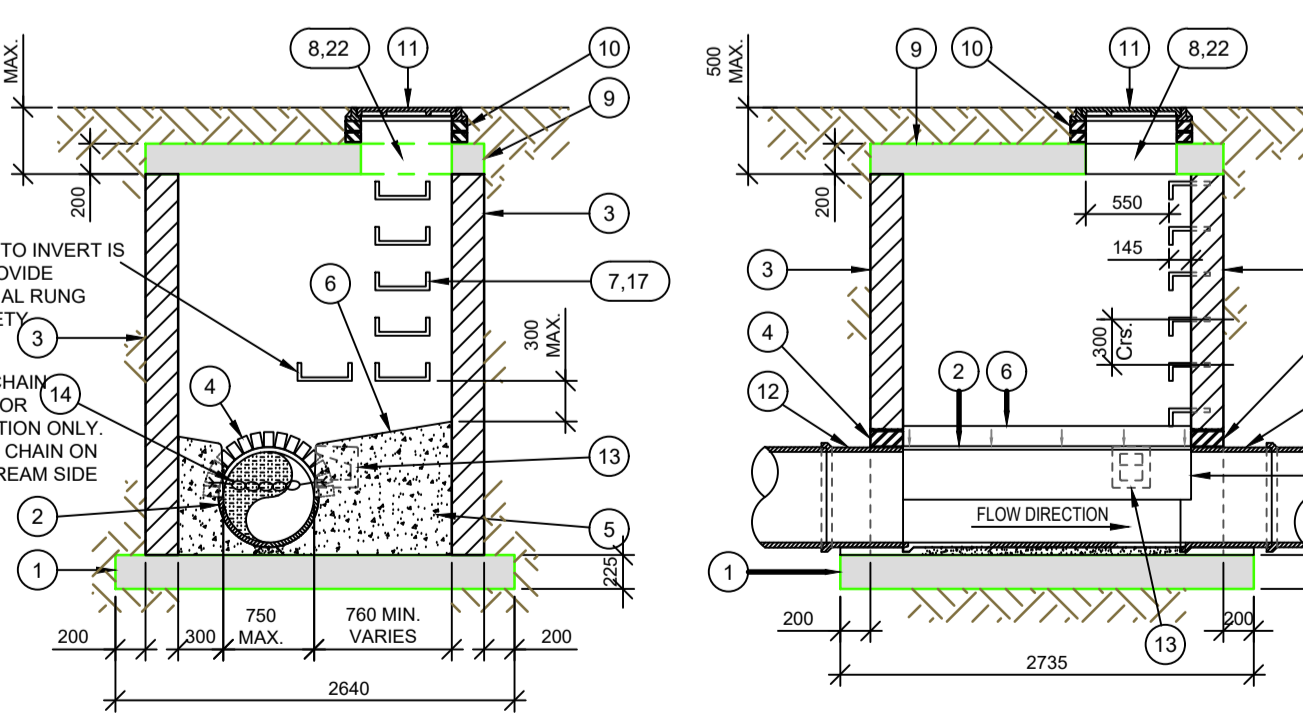
MANHOLE TYPE F RAMP MANHOLE (FOR PIPE DIAMETERS 150-750 mm)
SCALE 1:50



MANHOLE TYPE G BACKDROP MANHOLE FOR ALL PIPE DIAMETERS 225-750 mm
SCALE 1:50



PLAN OF SEPARATE CONNECTION TO COMBINED SEWER
N.T.S.



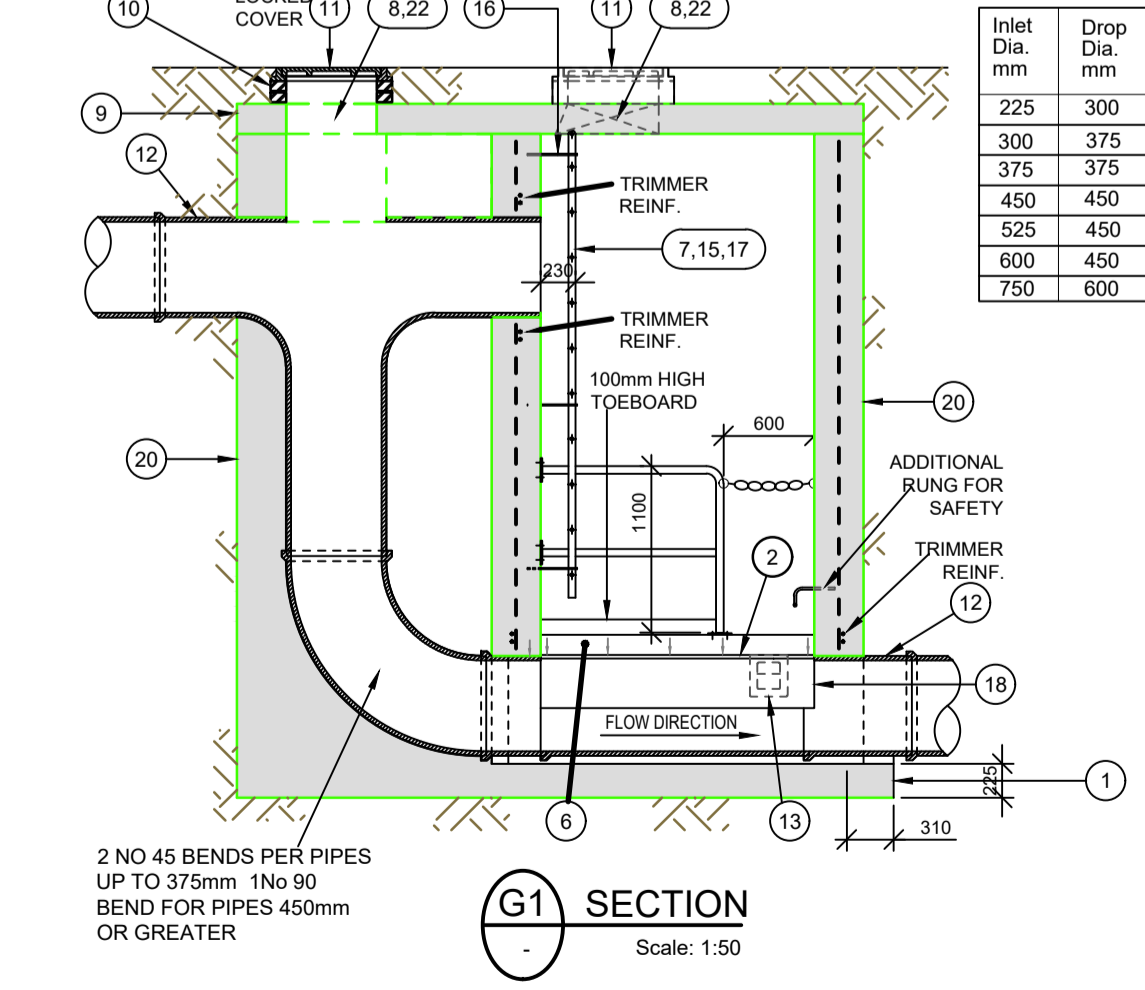
MANHOLE TYPE D (FOR PIPE DIAMETERS 525,600,675,750 mm)
1m ≤ DEPTH TO INVERT < 3m

TABLE F

INLET Ø mm	DEPTH (max) mm
A	H
225	600
300	600
375	750
450	750
525	750
600	750
750	750

WHEN THE DROP 'H' IS GREATER THAN THE MAX VALUE SHOWN USE BACKDROP MANHOLE

MANHOLE TYPE F RAMP MANHOLE (FOR PIPE DIAMETERS 150-750 mm)
SCALE 1:50



MANHOLE TYPE G BACKDROP MANHOLE FOR ALL PIPE DIAMETERS 225-750 mm
SCALE 1:50

MANHOLE TYPE G BACKDROP MANHOLE FOR ALL PIPE DIAMETERS 225-750 mm
DROP > 600 FOR 225 & 300 PIPE DIAMETERS
DROP > 750 FOR GREATER PIPE DIAMETERS

Rev	Date	Amendments	by	chkd
P01	14.07.20	ISSUED FOR PLANNING	AG	AD

PROJECT
FCC HAYESTOWN HOUSING, RUSH, Co. DUBLIN

CLIENT
FINGAL COUNTY COUNCIL

DRAWING TITLE
MANHOLE DETAILS SHEET 1 OF 2

drawn by: AG date: 14.07.20 scale: N.T.S @ A1 chk: AD

20067 - DOW - 00 - XX - DR - CE

Project Originator Volume Level Type Role

20067 4000 P01

DOW Project No. drg. no. rev.

S4 - SUITABLE FOR STAGE APPROVAL

Suitability Status: Code - Description

Cashel Business Centre,
Cashel Road, Kimmage, Dublin 12
T 01 4901611
E admin@downesassociates.ie
www.downesassociates.ie

