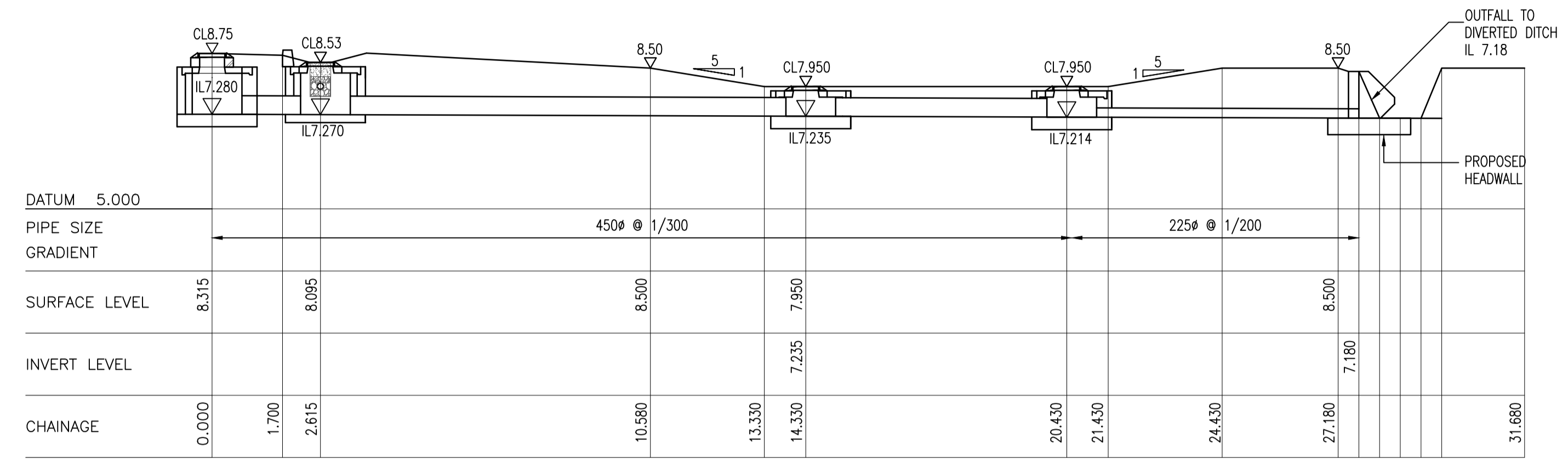


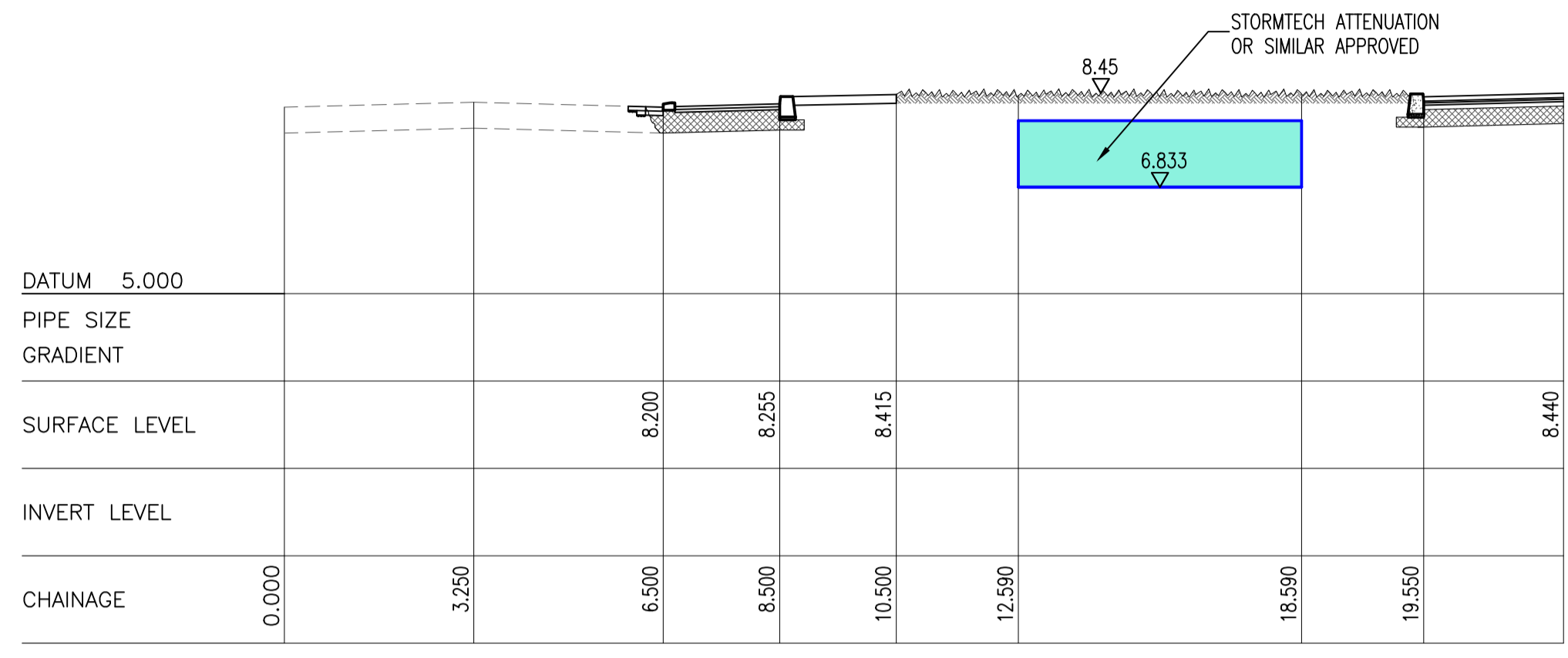
- NOTES:
- DO NOT SCALE. USE FIGURED DIMENSIONS ONLY.
 - THIS DRAWING IS TO BE READ IN CONJUNCTION WITH ALL OTHER RELEVANT ARCHITECTURAL AND ENGINEERING DRAWINGS.

LEGEND:

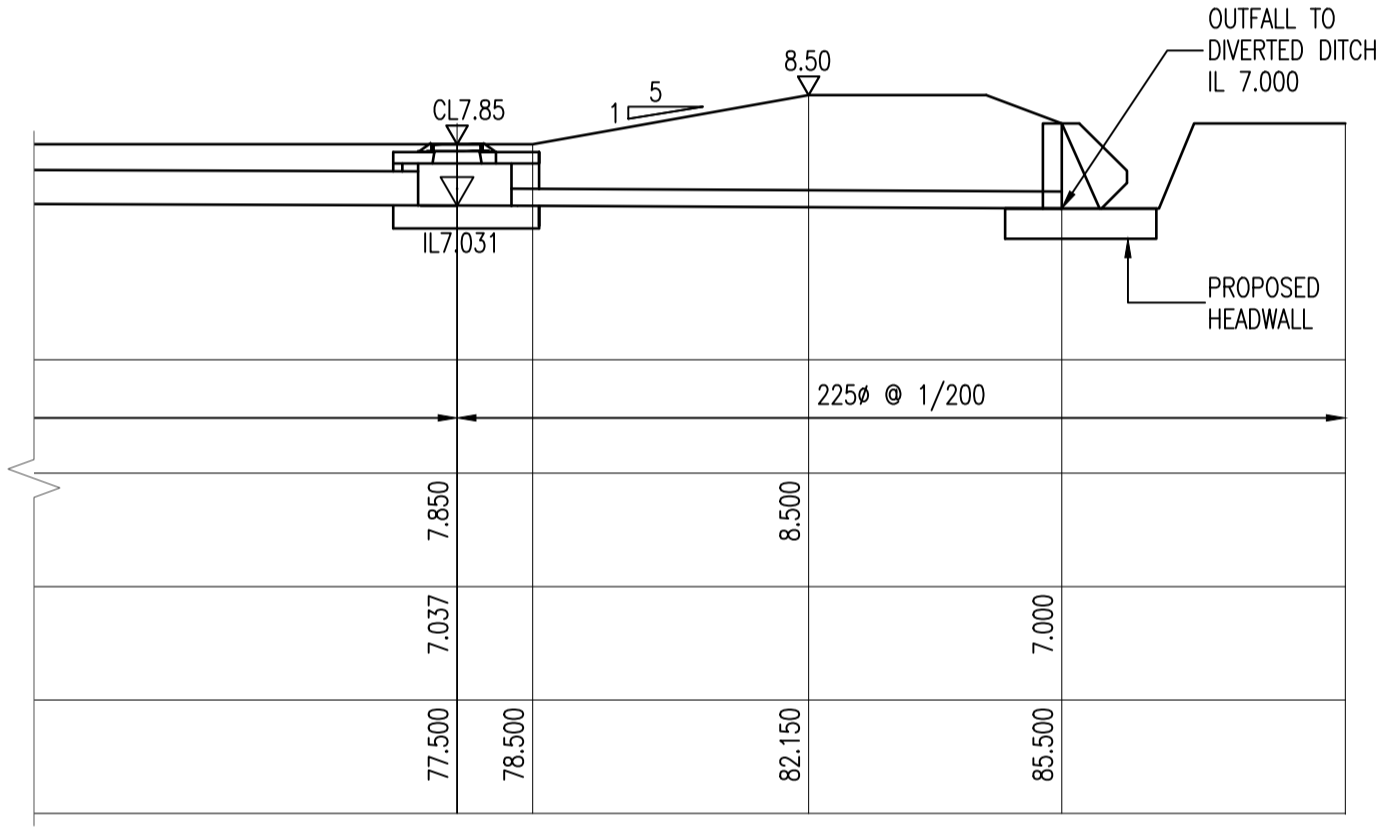
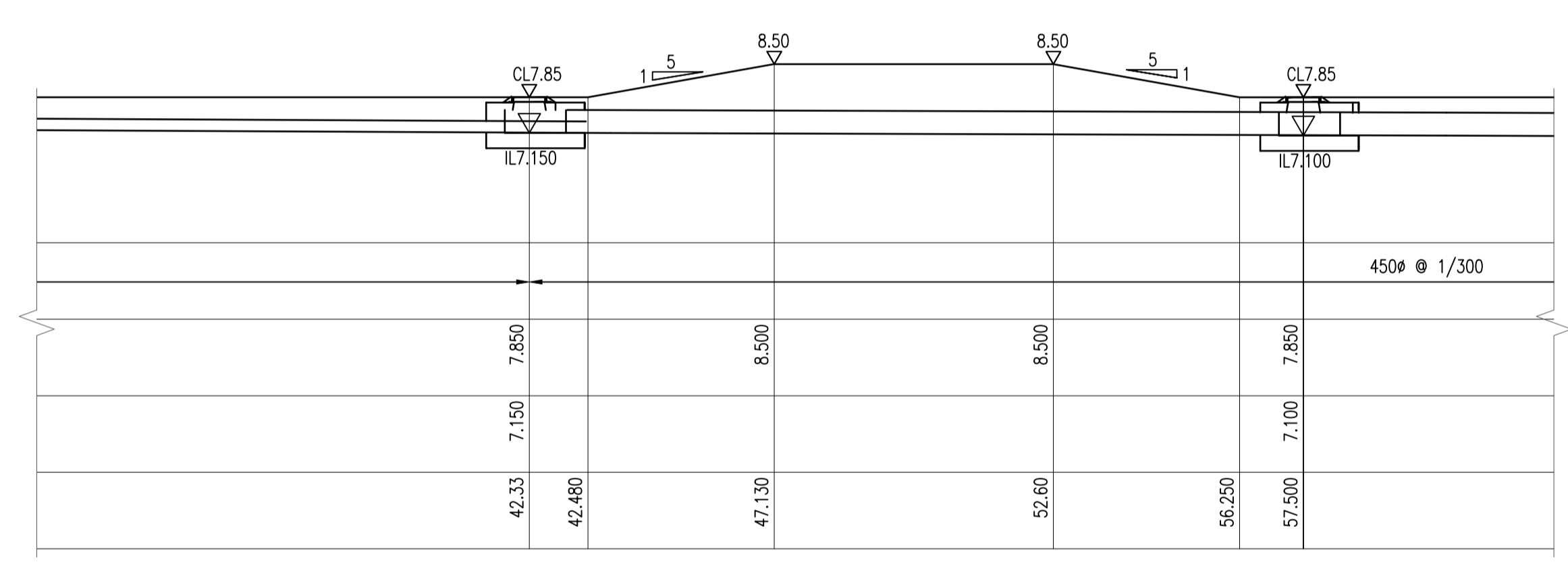
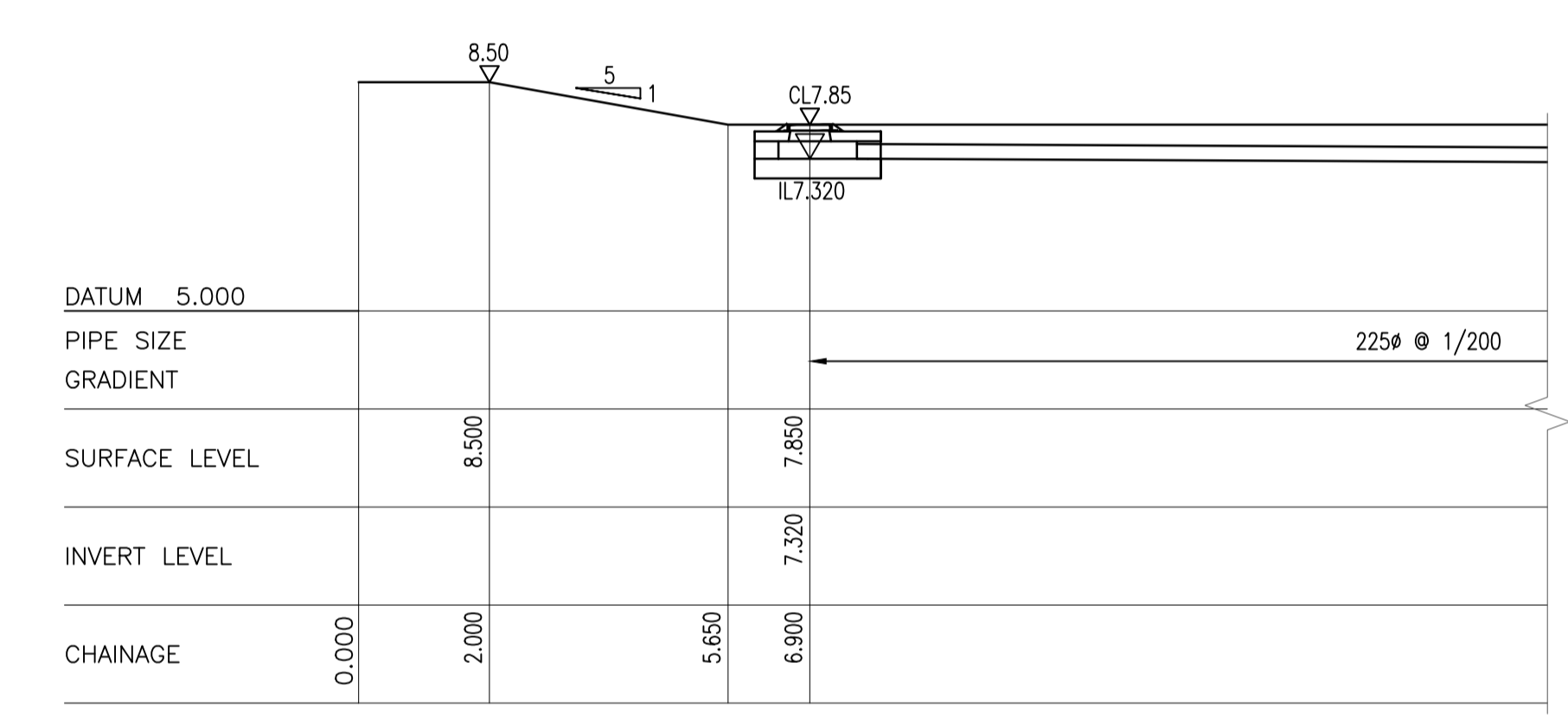
- PROPOSED SURFACE WATER SEWER WITH PIPE SIZE, GRADE, MANHOLE REF. AND INVERT LEVEL
- PROPOSED OPEN GRATED MANHOLE AND PERFORATED PIPE
- PROPOSED ABOVE GROUND ATTENUATION STORAGE BASIN WITH UNDERLYING FILTER STONE BELOW
- PROPOSED SWALE
- EXISTING DITCH
- DIVERTED DITCH



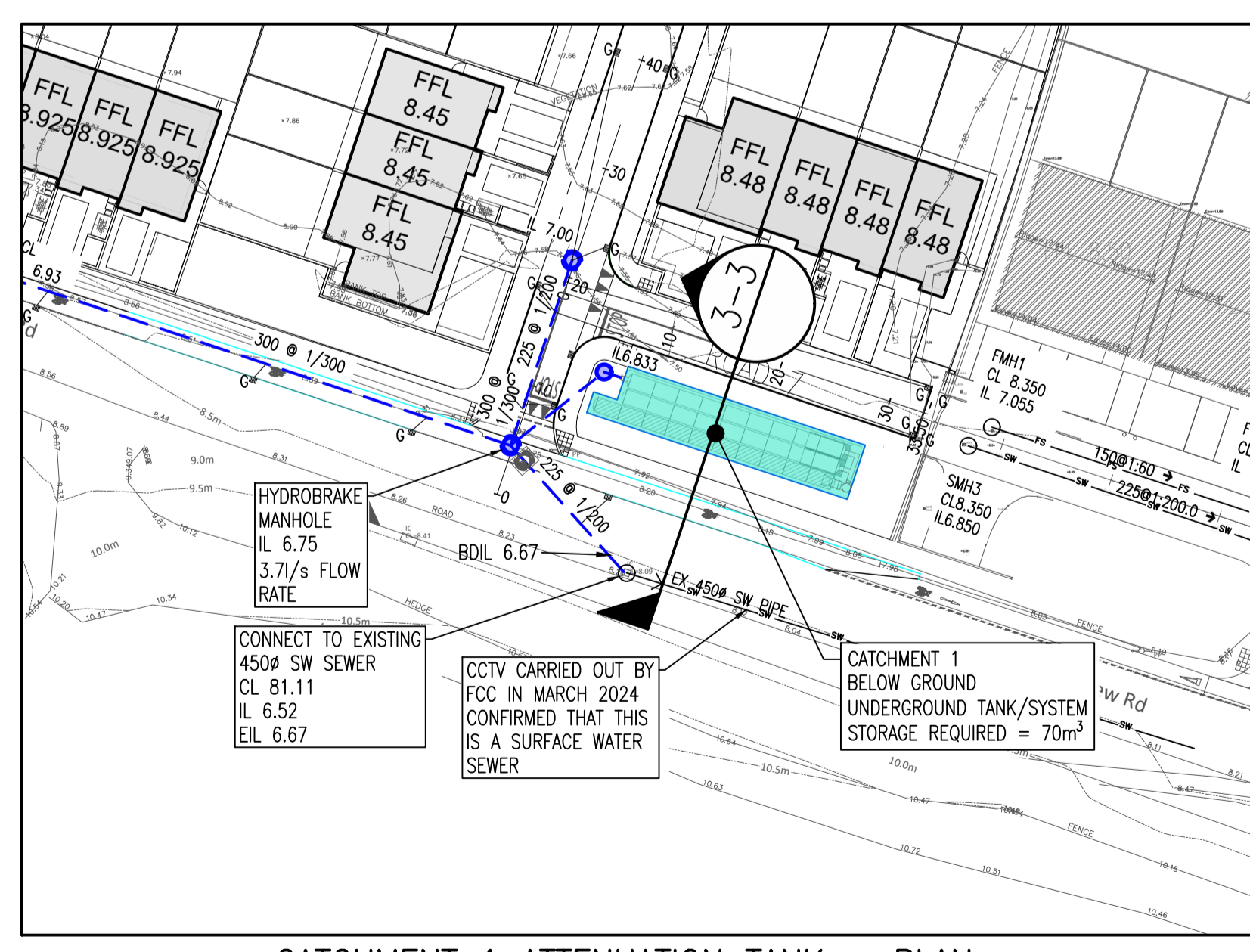
SECTION 1-1
SCALES - 1:100 H
1:100 V



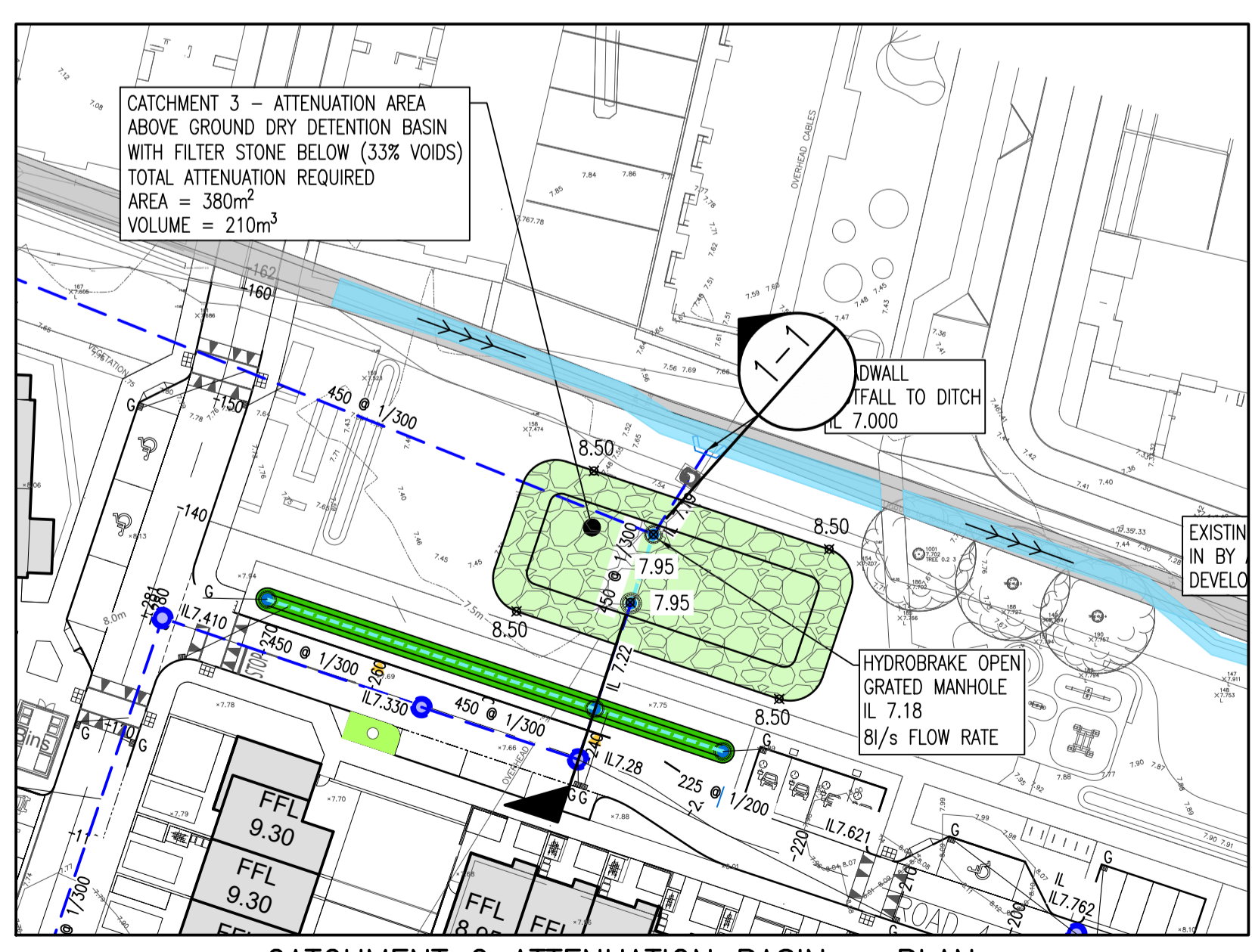
SECTION 3-3
SCALES - 1:100 H
1:100 V



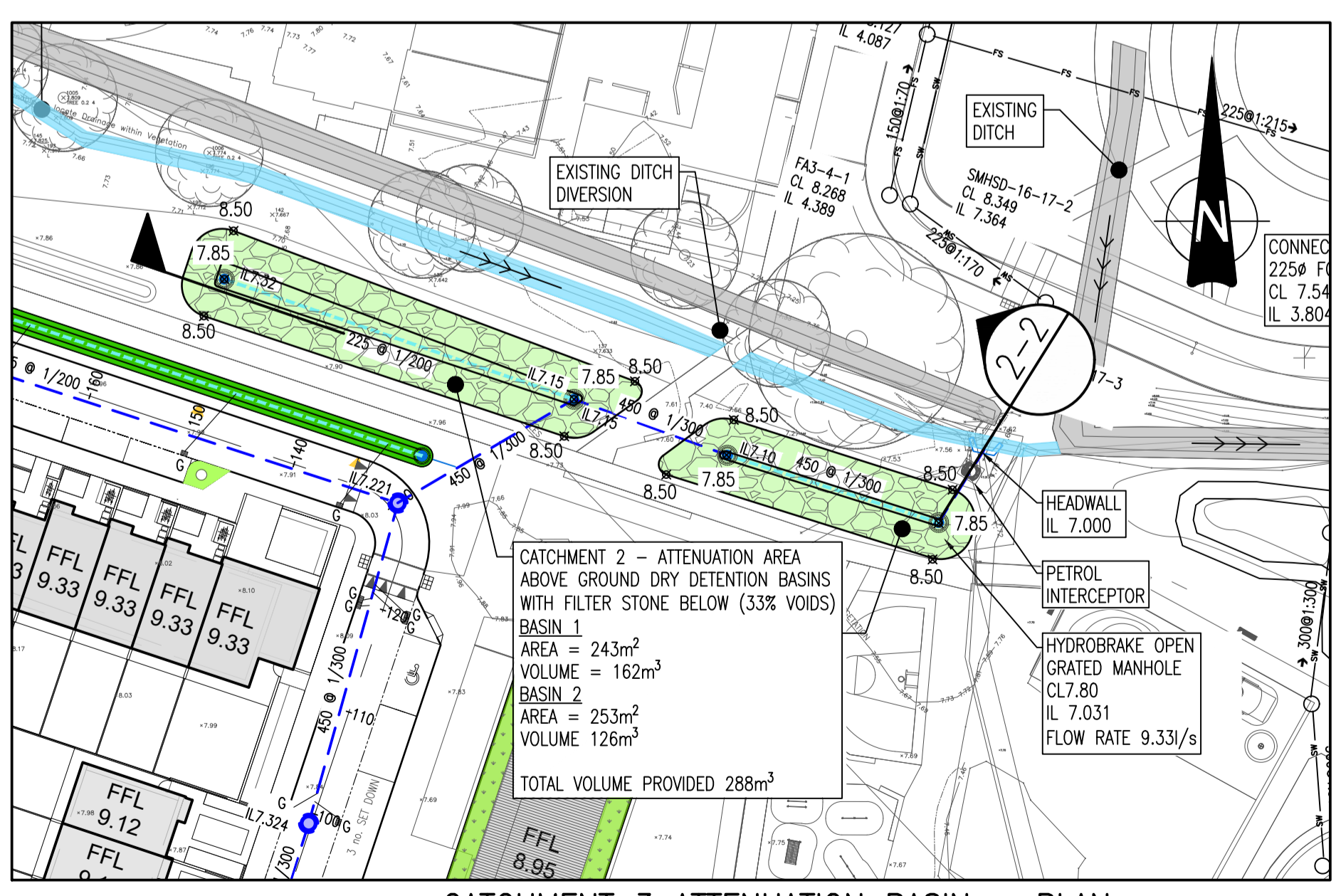
SECTION 2-2
SCALES - 1:100 H
1:100 V



CATCHMENT 1 ATTENUATION TANK - PLAN
1:500 @ A1



CATCHMENT 2 ATTENUATION BASIN - PLAN
1:500 @ A1



CATCHMENT 3 ATTENUATION BASIN - PLAN
1:500 @ A1

Rev	Date	Description	By	Chk
Amendments				
Project				
Title				
Client				
Status				
FOR PUBLIC DISPLAY				
Designed By	PJD	Approved	MD	Waterman Ref
Drawn By	PJD	Date	APRIL 2024	23-129
Project - Originator - Volume - Level - Type - Role - Number				Revision
NRD-WMC-XX-00 - DR - C - P240				1:100

**PROPOSED RESIDENTIAL DEVELOPMENT
NEW ROAD, DONABATE**

ATTENUATION SECTIONS

FINGAL COUNTY COUNCIL

waterman moylan

BLOCK S, EASTPOINT BUSINESS PARK, ALFIE BYRNE ROAD,
DUBLIN D03 H3F4 IRELAND. Tel: (01) 664 8900
Email: info@waterman-moylan.ie www.waterman-moylan.ie