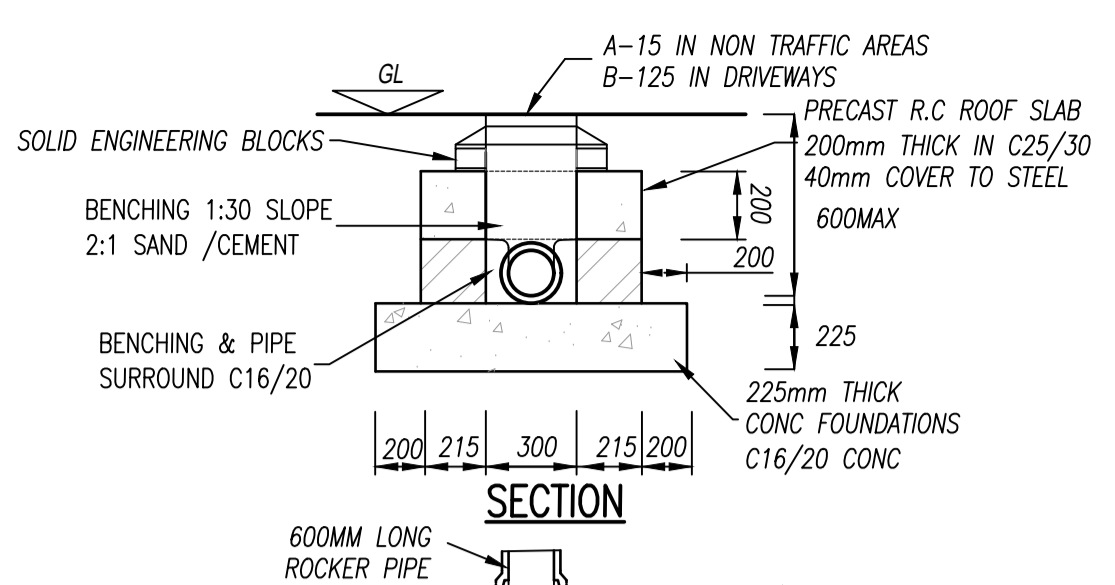
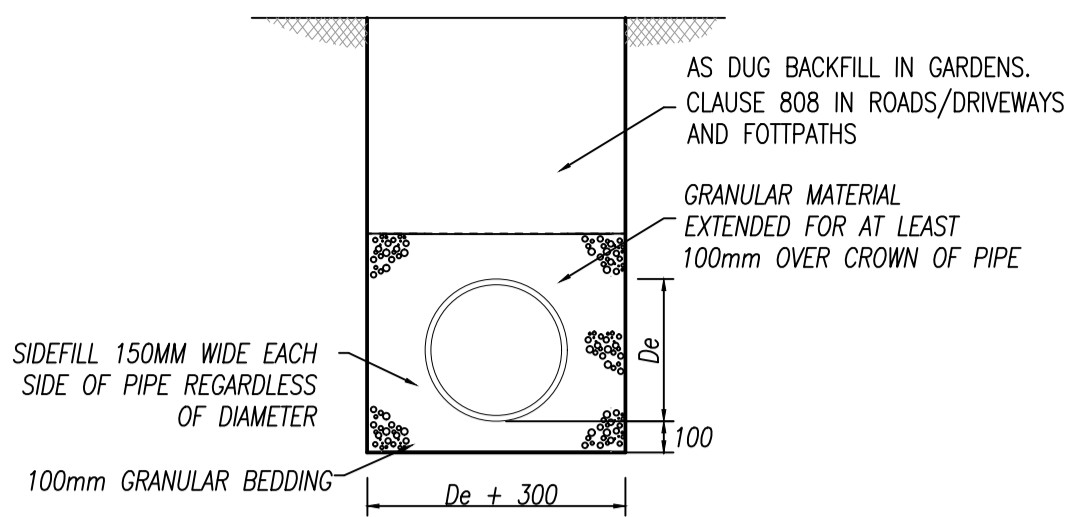


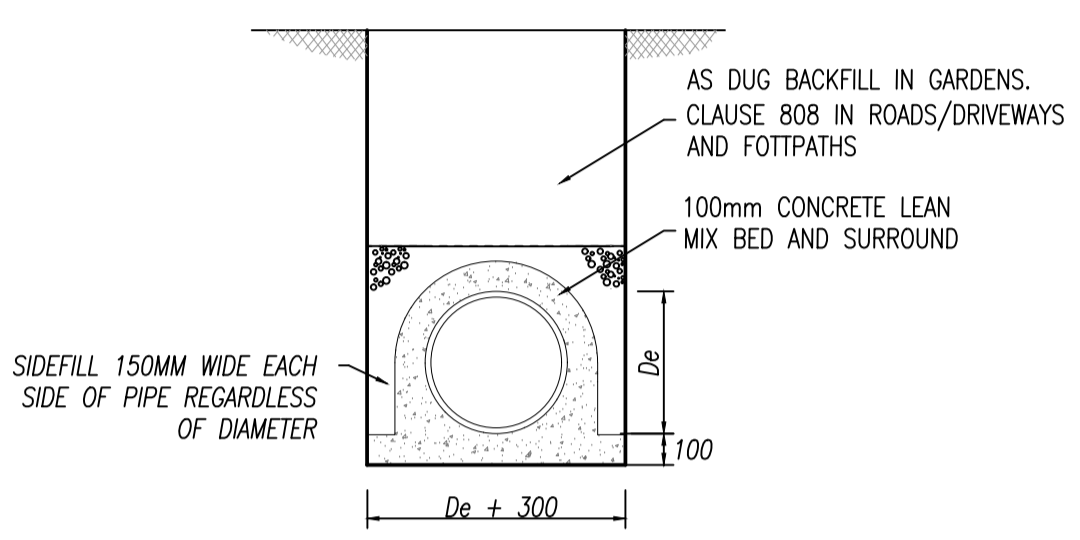
CIRCULAR INSPECTION CHAMBER WHERE INVERT IS 0.6m OR LESS BUILDING REGULATIONS TGD SECTION H TABLE 9
SCALE 1:25



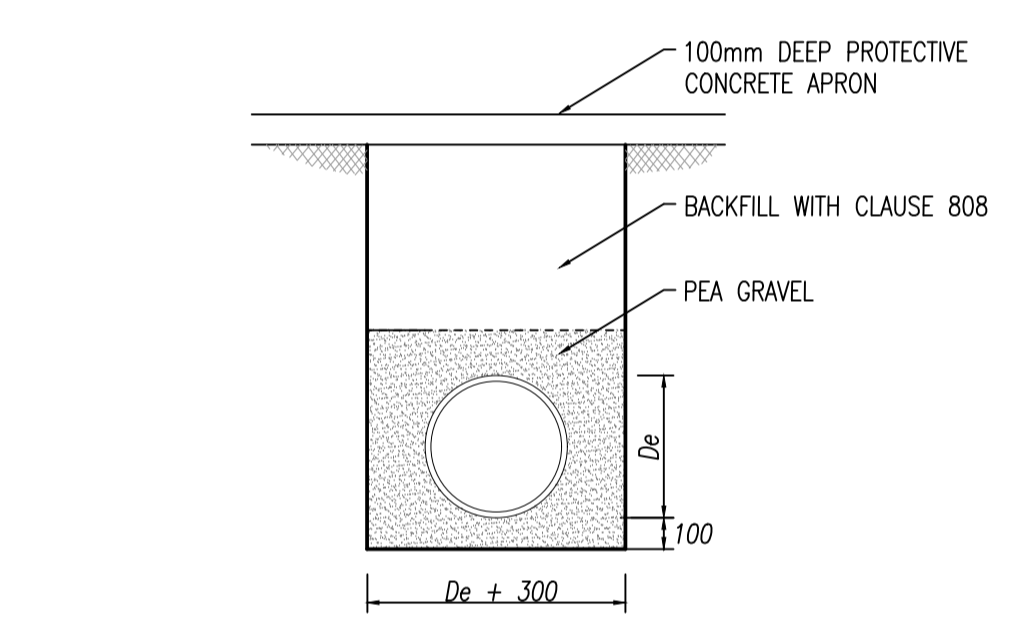
INSPECTION CHAMBER WHERE INVERT IS 0.6m OR LESS BUILDING REGULATIONS TGD SECTION H TABLE 9
SCALE 1:25



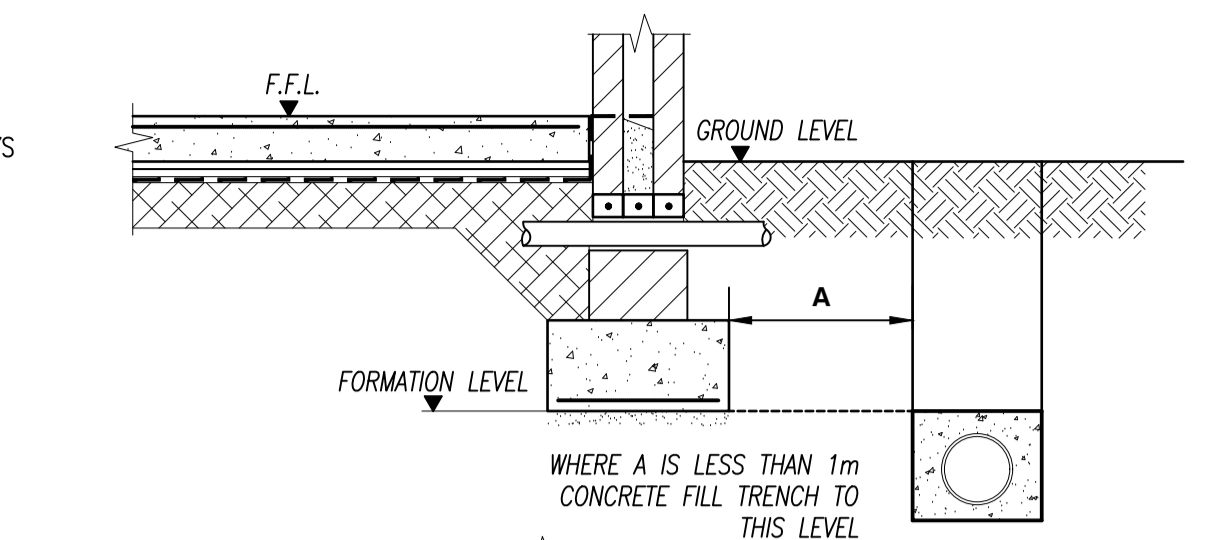
PIPES BEDDED IN GRANULAR MATERIAL COVER > 0.9m IN ROADS COVER > 0.6m IN GARDENS
SCALE 1:25



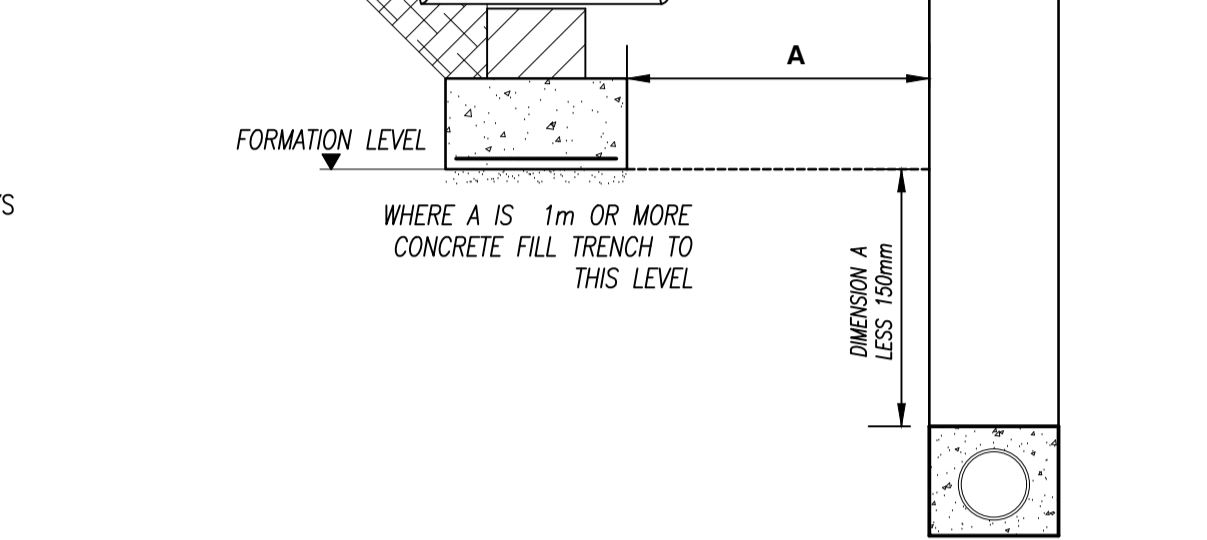
PIPES BEDDED IN CONCRETE COVER < 0.9m IN ROADS COVER < 0.6m IN GARDENS
SCALE 1:25



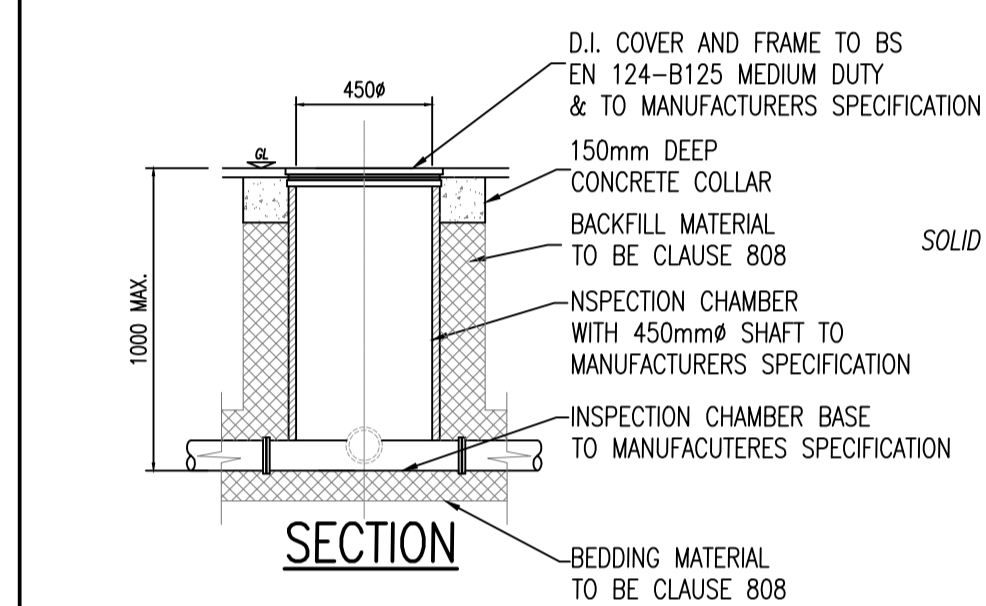
PIPES BEDDING ALTERNATIVE DETAIL COVER < 0.9m IN ROADS COVER < 0.6m IN GARDENS
SCALE 1:25



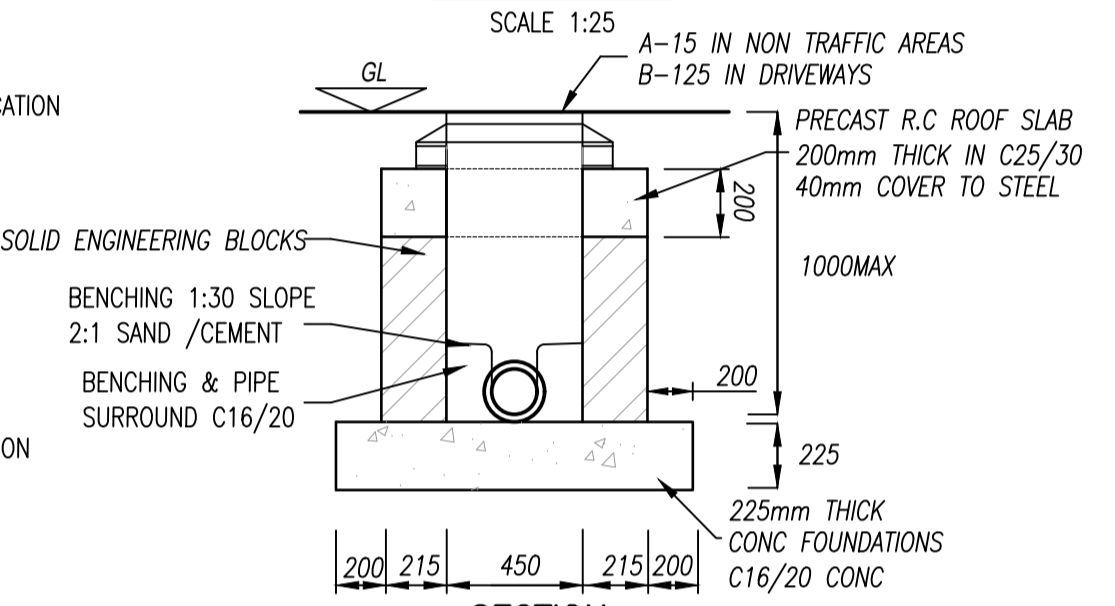
TYPICAL DETAIL WHERE PIPE RUNS NEAR BUILDINGS
SCALE 1:25



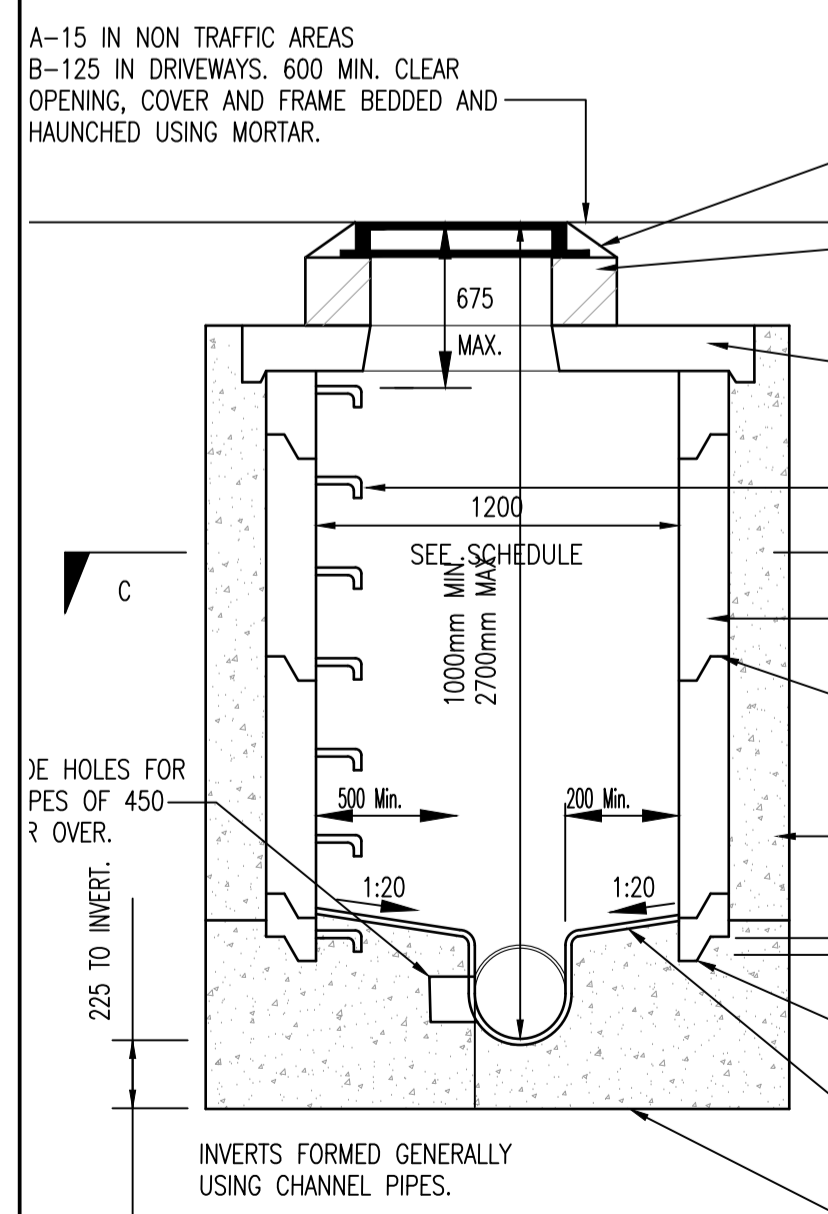
TYPICAL DETAIL WHERE PIPE RUNS NEAR BUILDINGS
SCALE 1:25



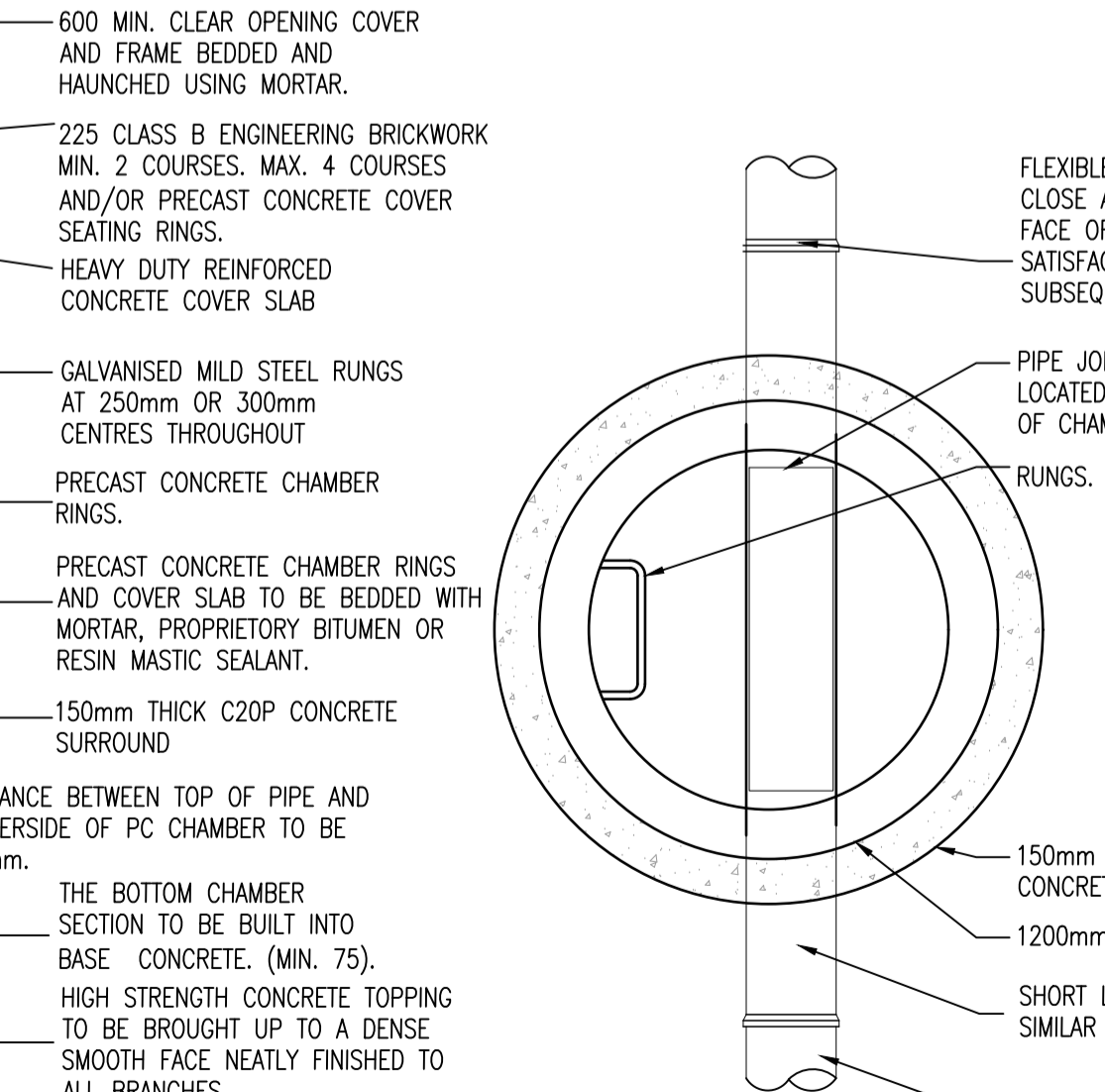
CIRCULAR INSPECTION CHAMBER WHERE INVERT IS 1m OR LESS BUILDING REGULATIONS TGD SECTION H TABLE 9
SCALE 1:25



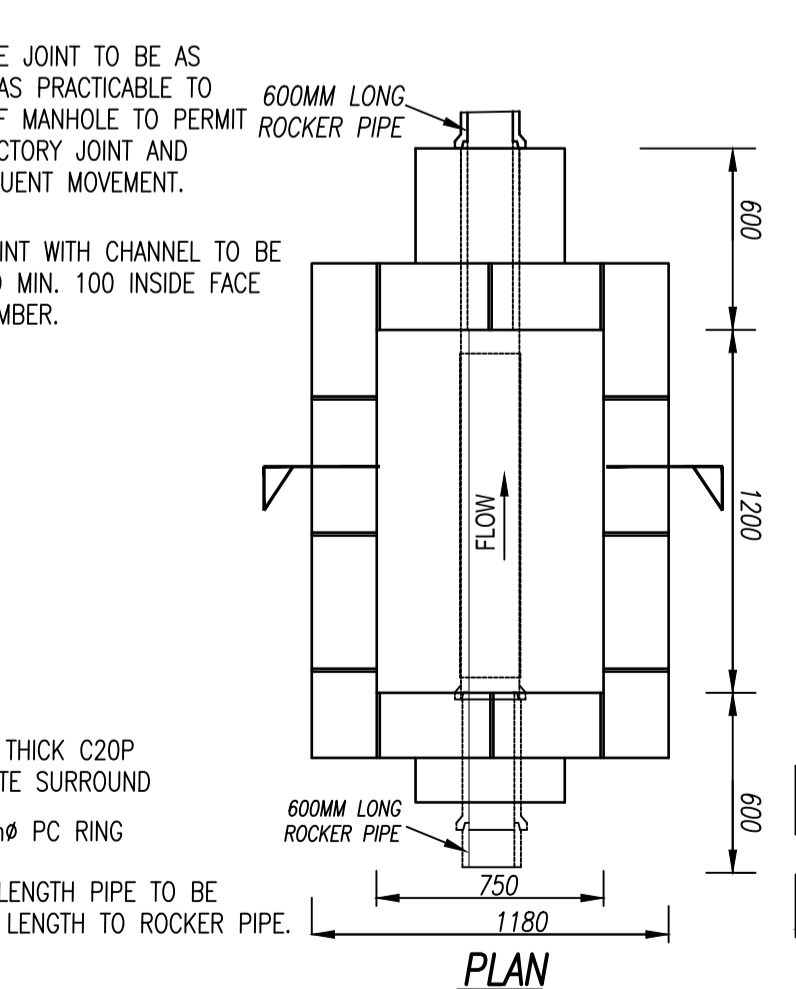
INSPECTION CHAMBER WHERE INVERT IS 1m OR LESS BUILDING REGULATIONS TGD SECTION H TABLE 9
SCALE 1:25



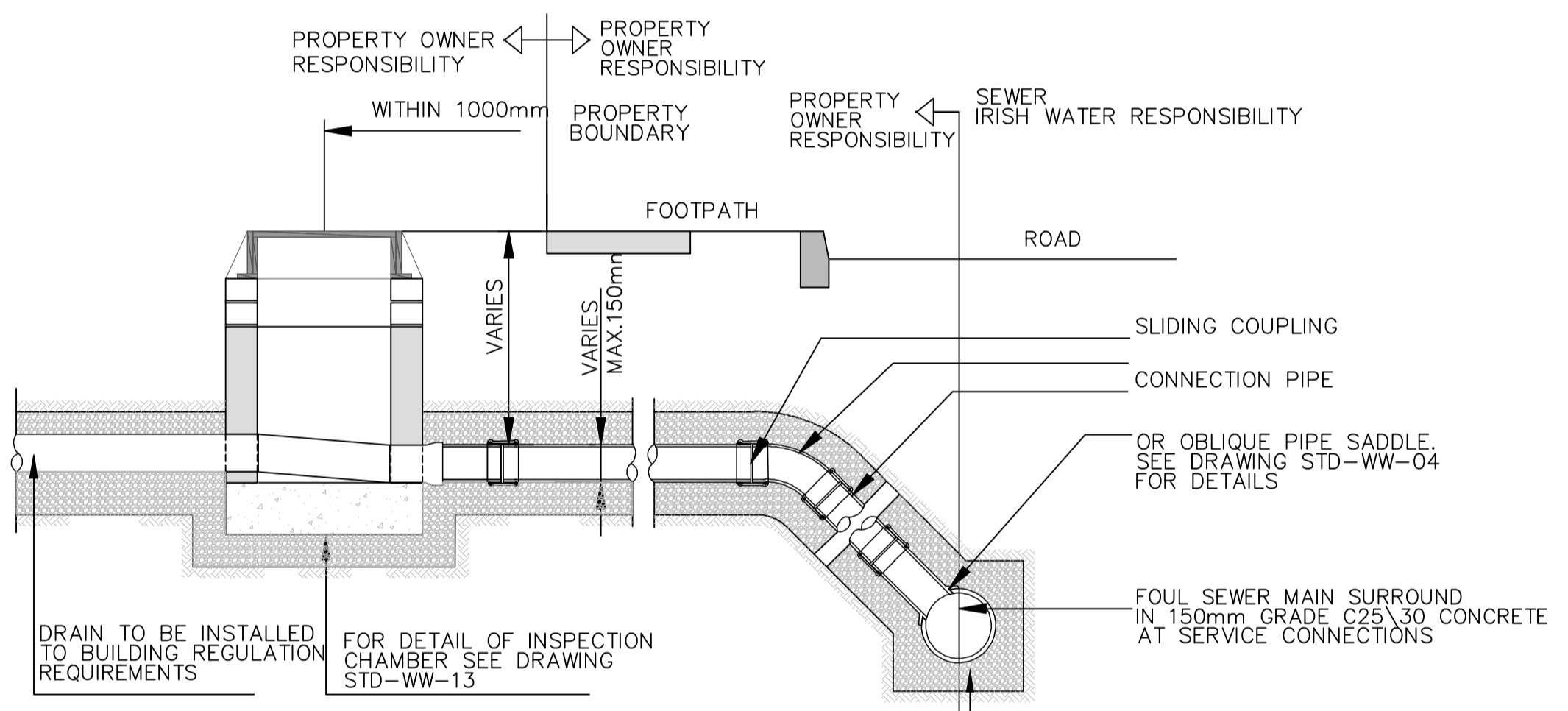
CIRCULAR MANHOLE WHERE INVERT IS BETWEEN 1m AND 2.7m BUILDING REGULATIONS TGD SECTION H TABLE 9
SCALE 1:25



MANHOLE DEPTH TO INVERT IS BETWEEN 1m AND 2.7m BUILDING REGULATIONS TGD SECTION H TABLE 9
SCALE 1:25

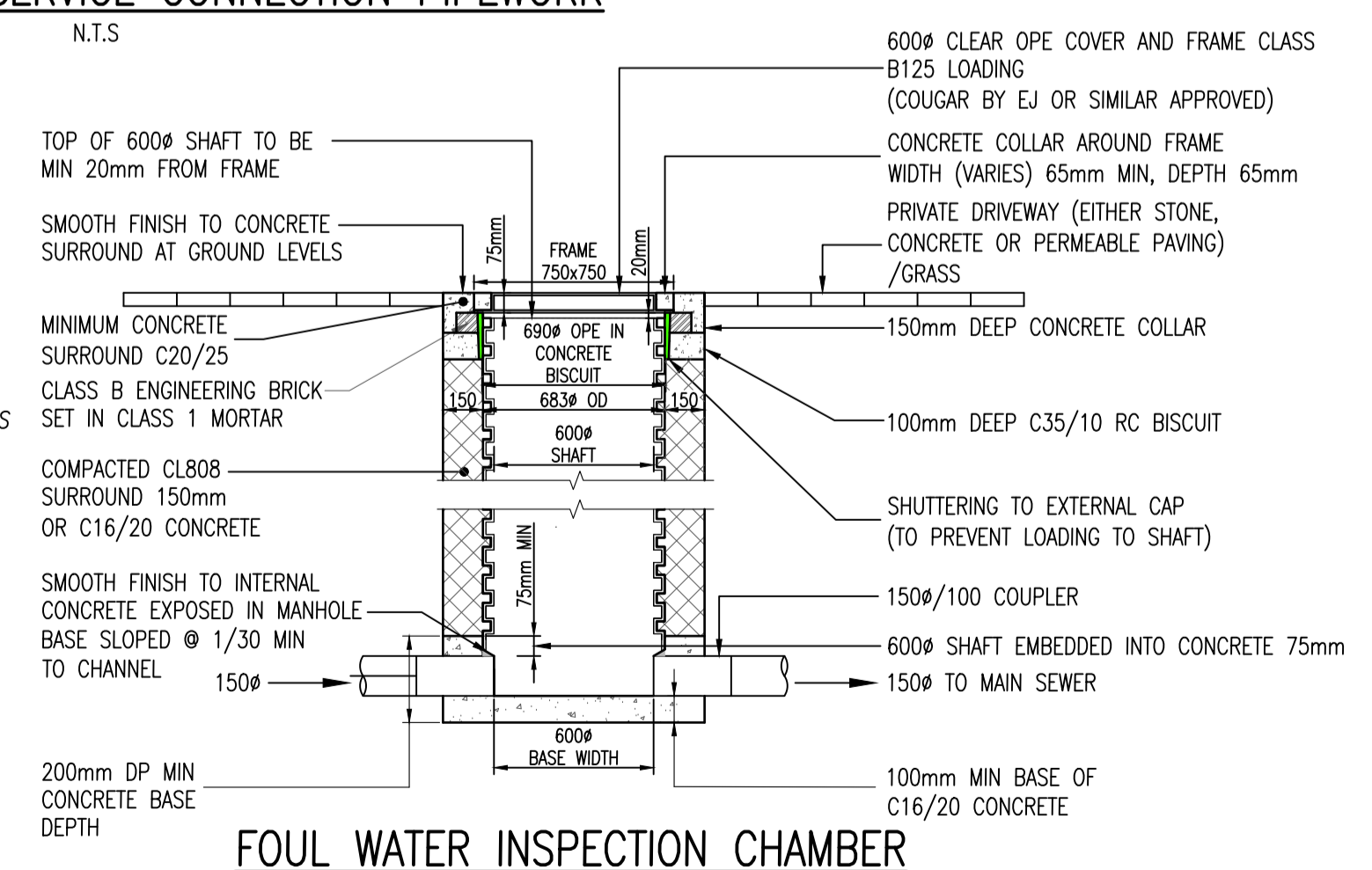


MANHOLE DEPTH TO INVERT IS BETWEEN 1m AND 2.7m BUILDING REGULATIONS TGD SECTION H TABLE 9
SCALE 1:25

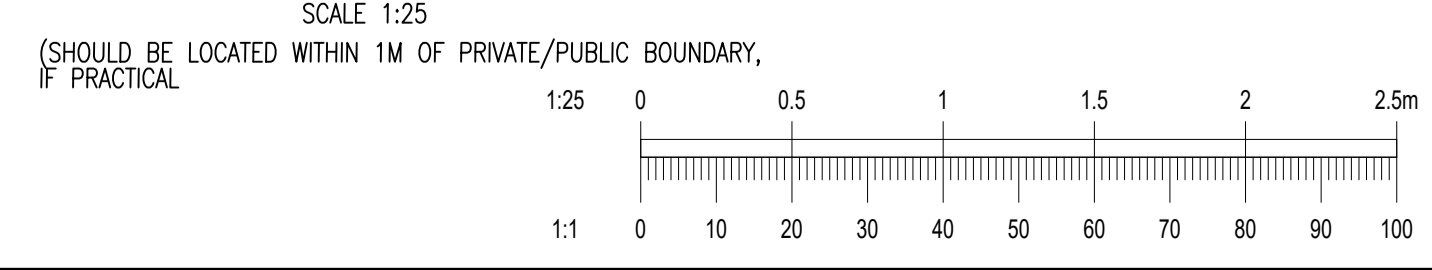


PRIVATE DRAIN AND SERVICE CONNECTION PIPEWORK
N.T.S.

PIPE SIZE (mm)	GRADIENT
100	1 : 60
150 TO 225	1 : 150 MINIMUM



FOUL WATER INSPECTION CHAMBER FOR LAST PRIVATE MANHOLE
SCALE 1:25



- NOTES:
- DO NOT SCALE. USE FIGURED DIMENSIONS ONLY.
 - THIS DRAWING IS TO BE READ IN CONJUNCTION WITH ALL OTHER RELEVANT ARCHITECTURAL AND ENGINEERING DRAWINGS.

Rev	Date	Description	By	CHK

Project: **PROPOSED RESIDENTIAL DEVELOPMENT NEW ROAD, DONABATE**

Title: **TYPICAL PRIVATE DRAINAGE CONSTRUCTION DETAILS**

Client: **FINGAL COUNTY COUNCIL**



Block S, Eastpoint Business Park, Alfie Byrne Road, Dublin D03 H3F4 IRELAND. Tel: (01) 664 8900
Email: info@waterman-moylan.ie www.waterman-moylan.ie

Status: **FOR PUBLIC DISPLAY**

Designed By	Approved	Waterman Ref
PJD	MD	23-129

Project	Originator	Volume	Level	Type	Role	Number	Revision
NRD-WMC-XX-00	DR-C	P222					