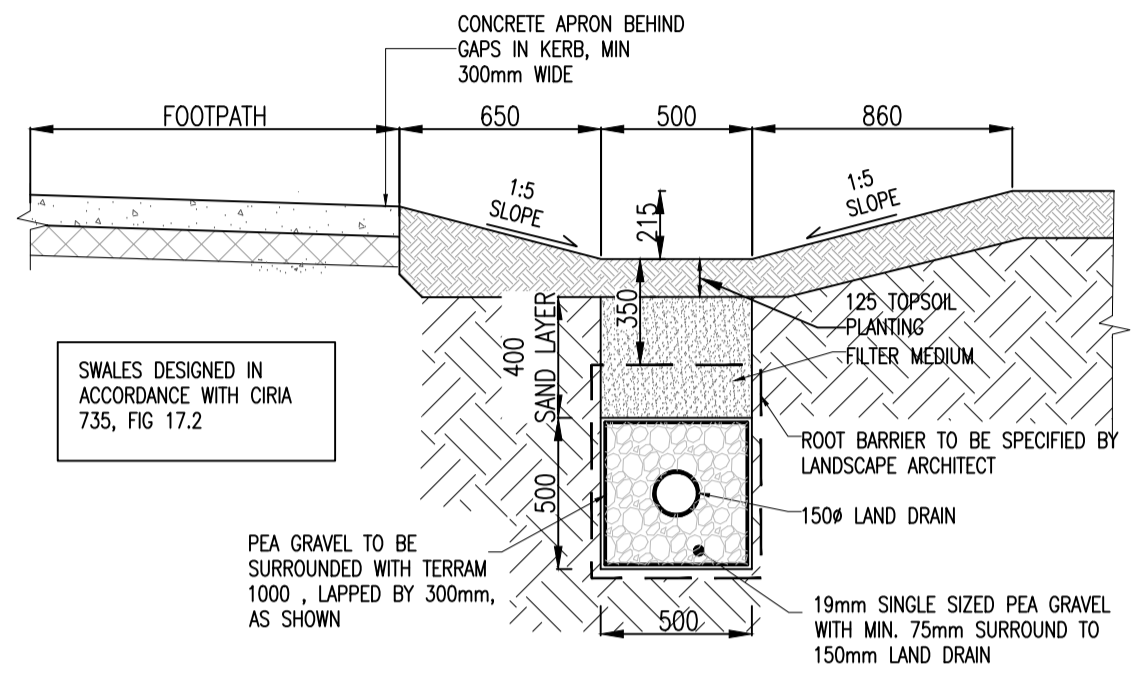
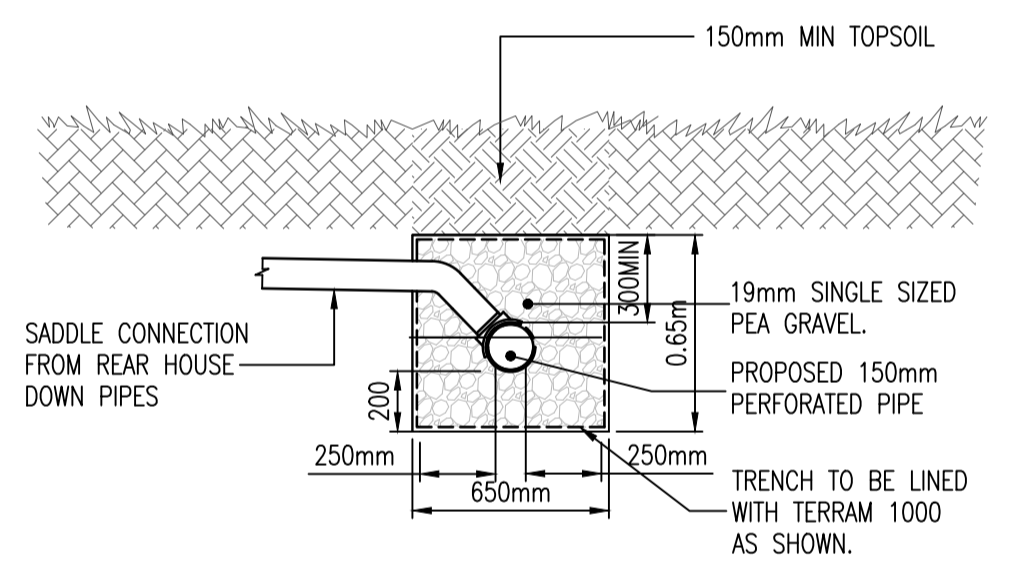


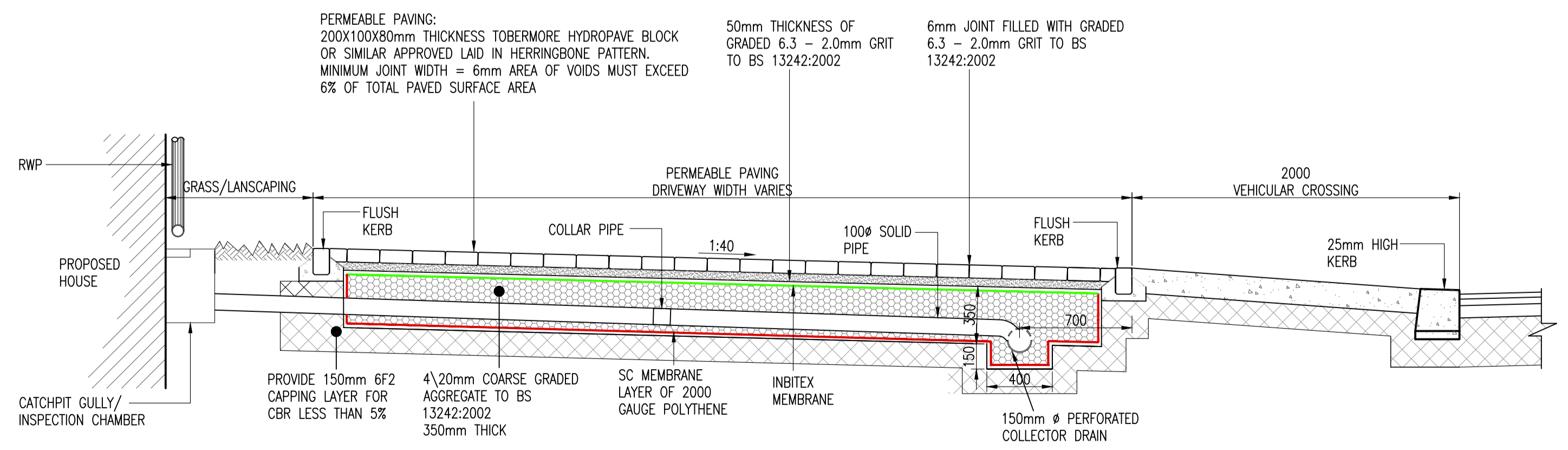
- NOTES:
- DO NOT SCALE. USE FIGURED DIMENSIONS ONLY.
  - THIS DRAWING IS TO BE READ IN CONJUNCTION WITH ALL OTHER RELEVANT ARCHITECTURAL AND ENGINEERING DRAWINGS.



TYPICAL SECTION THROUGH SWALE  
SCALE 1:25

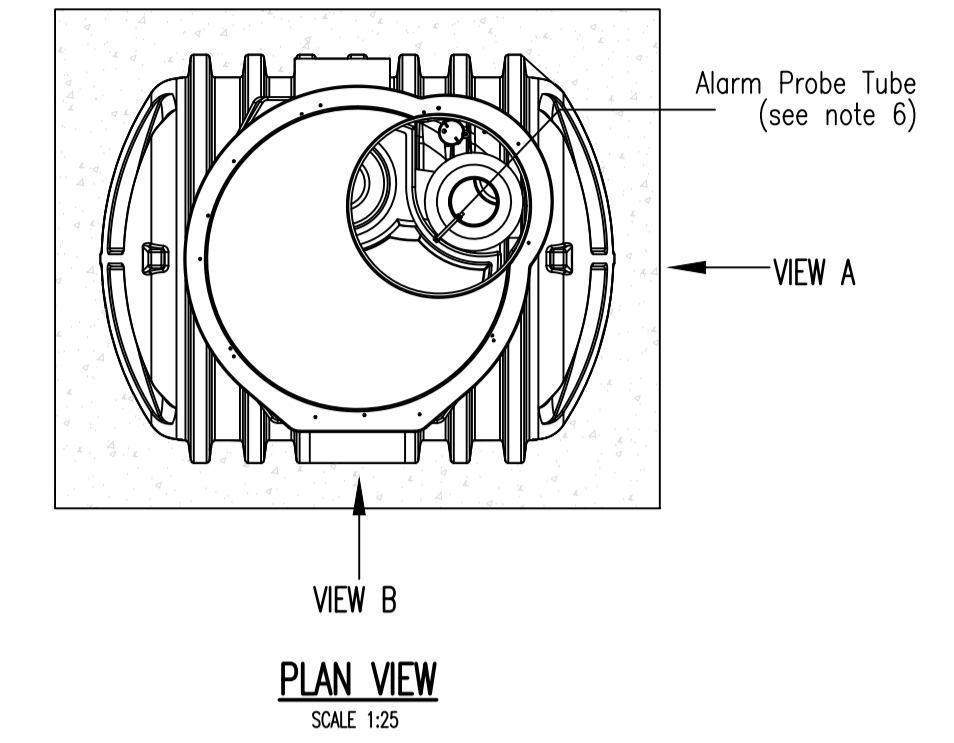


TYPICAL FILTER DRAIN DETAIL  
AROUND HOUSE/APARTMENT  
BLOCK  
SCALE 1:25 @ A1

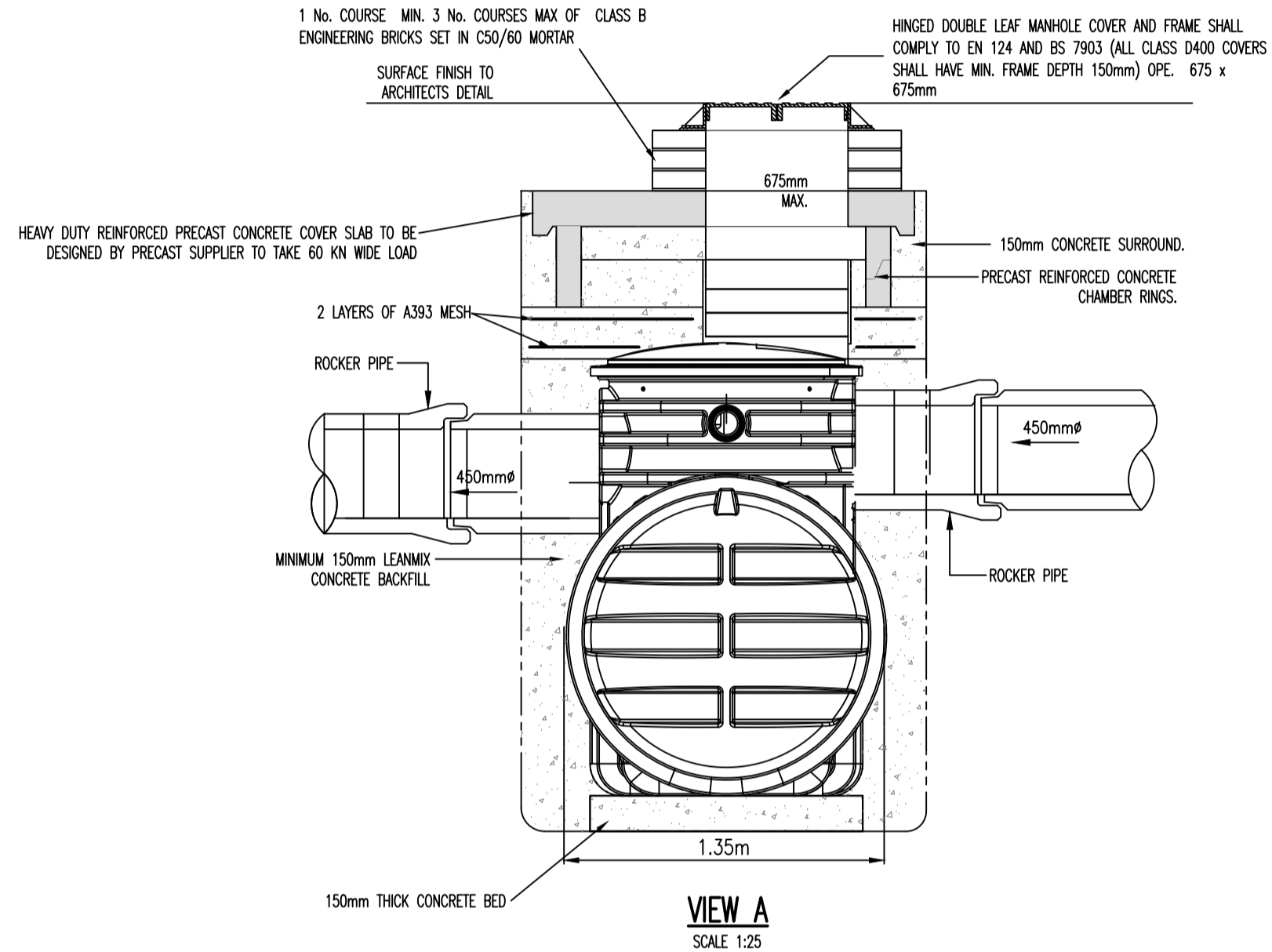


TYPICAL SECTION  
THROUGH PRIVATE DRIVEWAY PERMEABLE PAVING  
SCALE 1:25

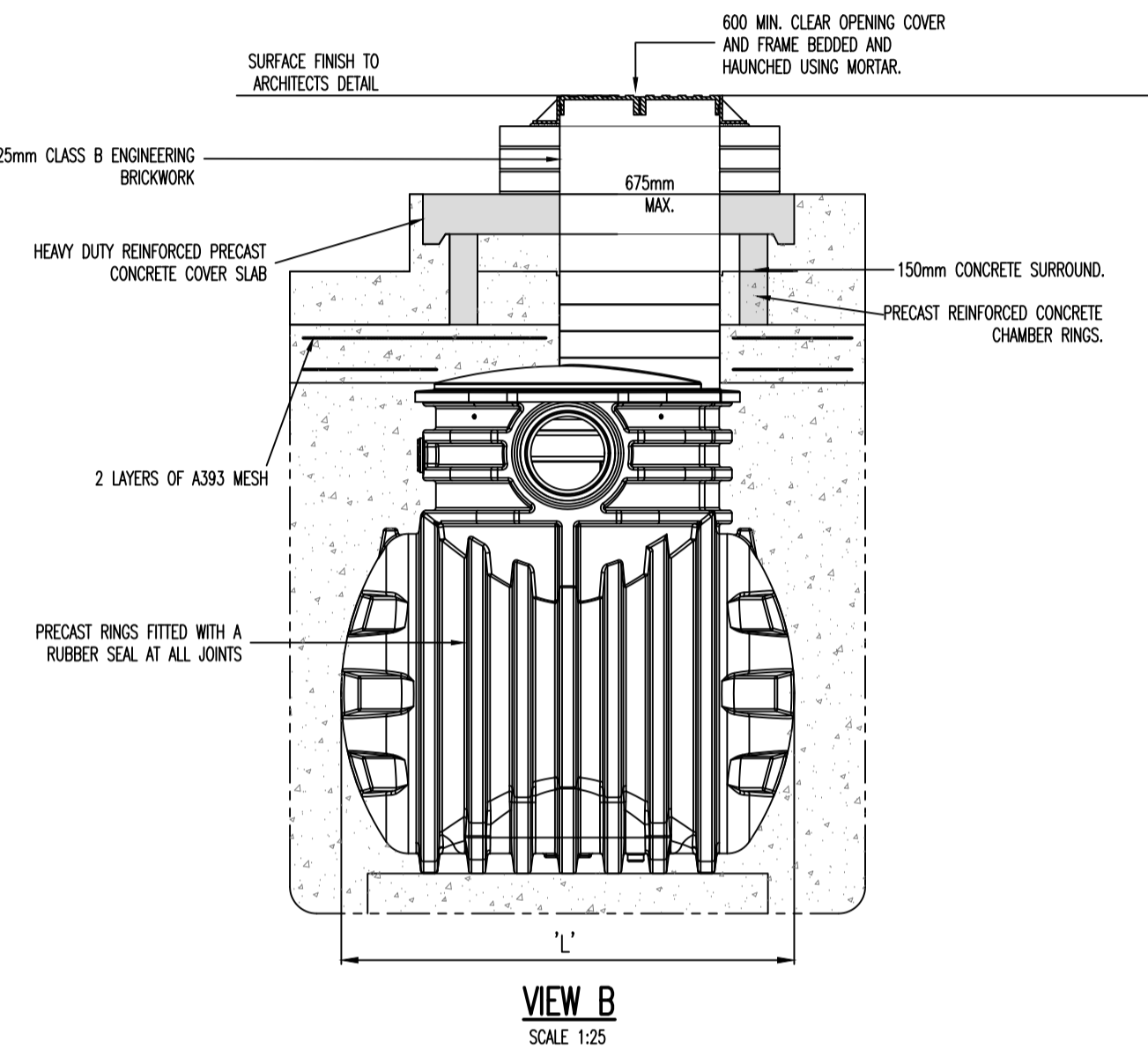
- Notes:-
- Inlet/Outlet pipes are plain pipe standard EN 858 states minimum connection sizes, units ordered with different sized connections are not fully compliant with the standard.
  - Extension necks for deeper inverts can be provided. These can be cut in 200mm sections. Max 2.0m invert recommended. Please ask our sales department for further details.
  - All units require appropriate cover and frame to suit applied loadings.
  - This drawing should be used for dimensional information only. It is essential that this drawing is read in conjunction with the installation guidelines from the supplier. 76mm tube (internal) is supplied to house an oil alarm probe.
  - Wet site conditions - Concrete Backfill Dry site conditions - Pea Shingle Backfill
  - A 76mm tube (internal) is supplied to house an oil alarm probe.



PLAN VIEW  
SCALE 1:25

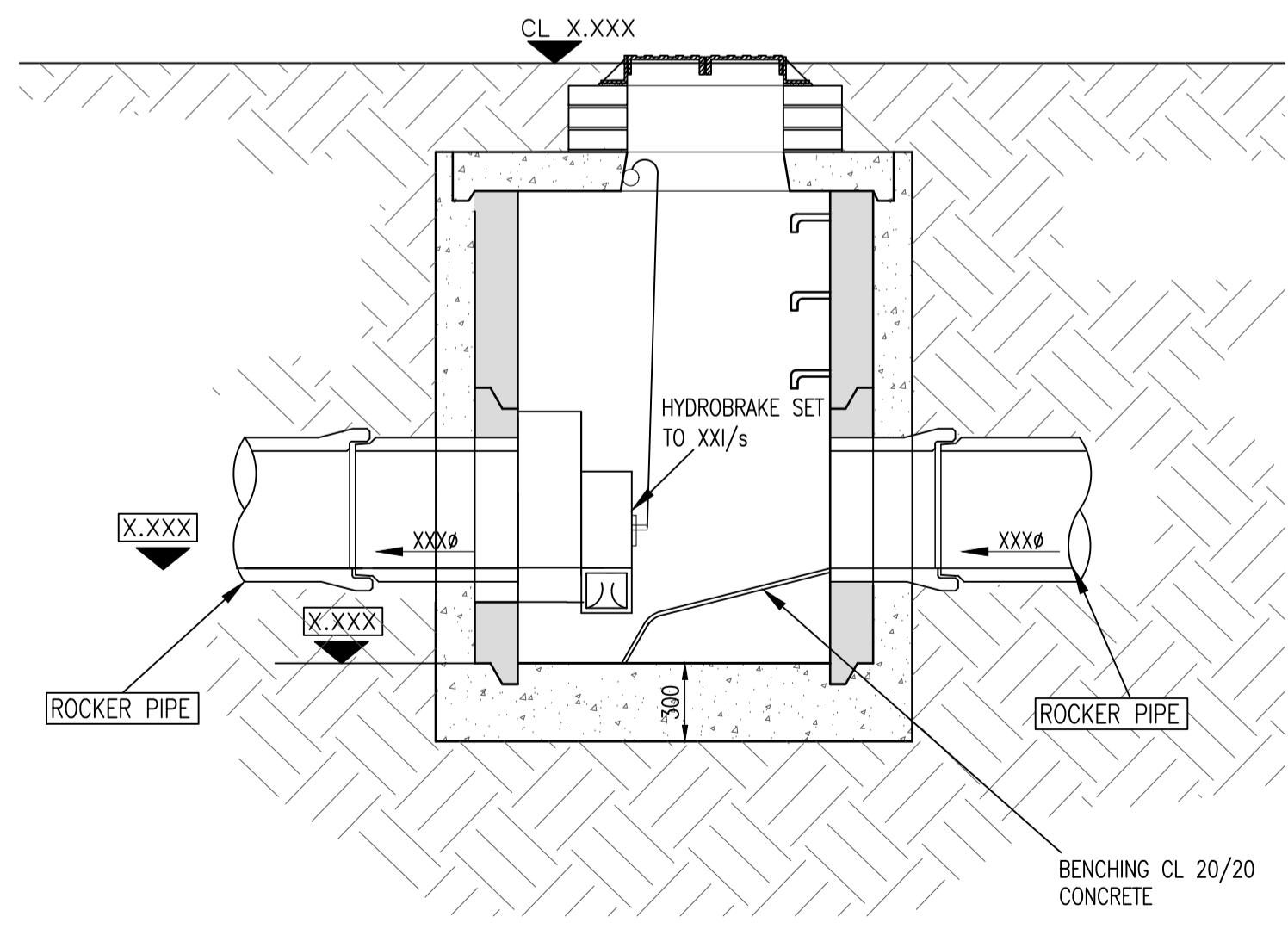


VIEW A  
SCALE 1:25

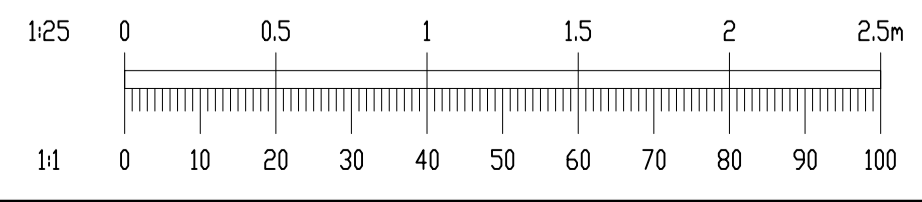


VIEW B  
SCALE 1:25

TYPICAL DETAILS OF BYPASS PETROL  
INTERCEPTOR  
SCALE 1:25



TYPICAL HYDROBRAKE MANHOLE DETAIL  
SCALE 1:25



Rev	Date	Description	By	Chk
Amendments				
Project				
<b>PROPOSED RESIDENTIAL DEVELOPMENT NEW ROAD, DONABATE</b>				
Title				
<b>SuDS, HYDROBARKE &amp; PETROL INTERCEPTOR DETAILS</b>				
Client				
FINGAL COUNTY COUNCIL				
Status				
<b>FOR PUBLIC DISPLAY</b>				
Designed By	PJD	Approved	MD	Waterman Ref
				23-129
Drawn By	PJD	Date	APRIL 2024	Scales @ A1
				1:25
Project	Originator	Volume	Level	Type
				Number
				Revision
<b>NRD-WMC-XX-00-DR-C-P215</b>				