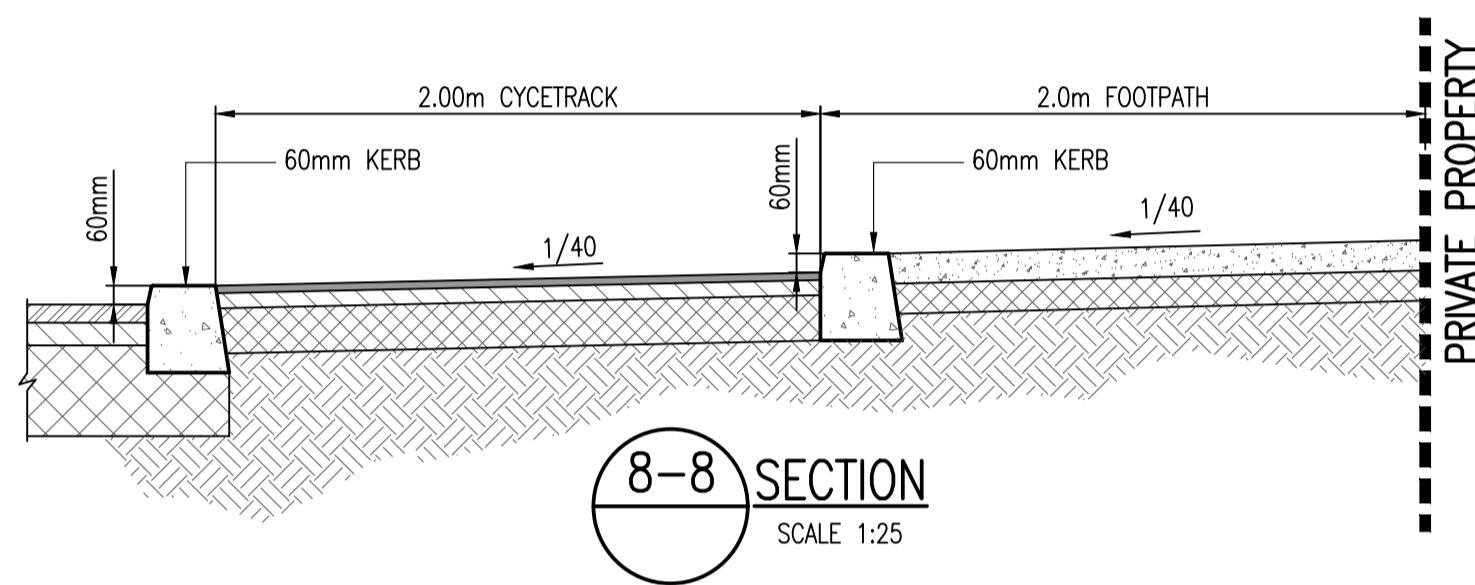




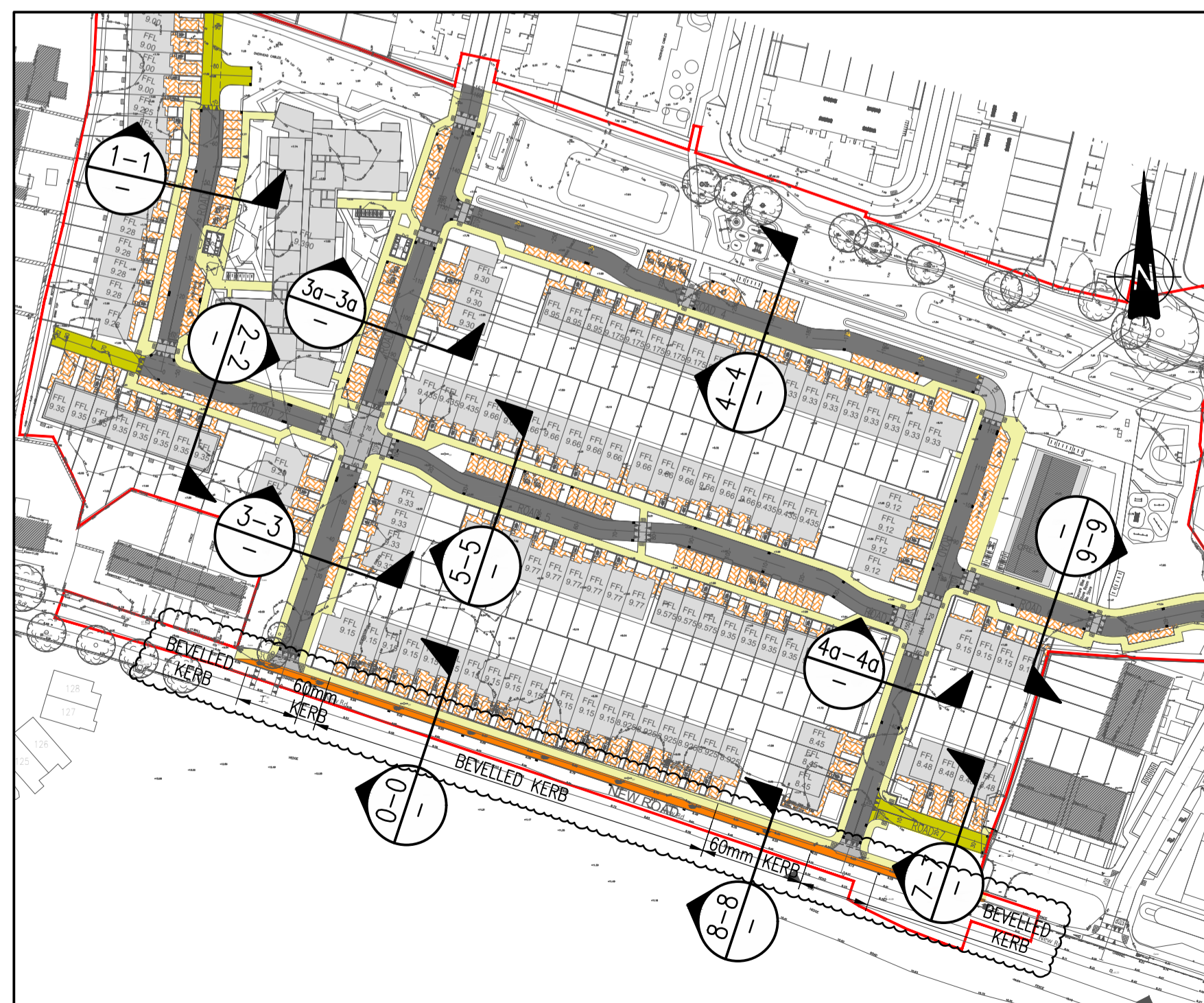
Figure 4.79 Cycle track with no buffer passing private entrance

EXTRACT FROM NTA "CYCLE DESIGN MANUAL" 2023

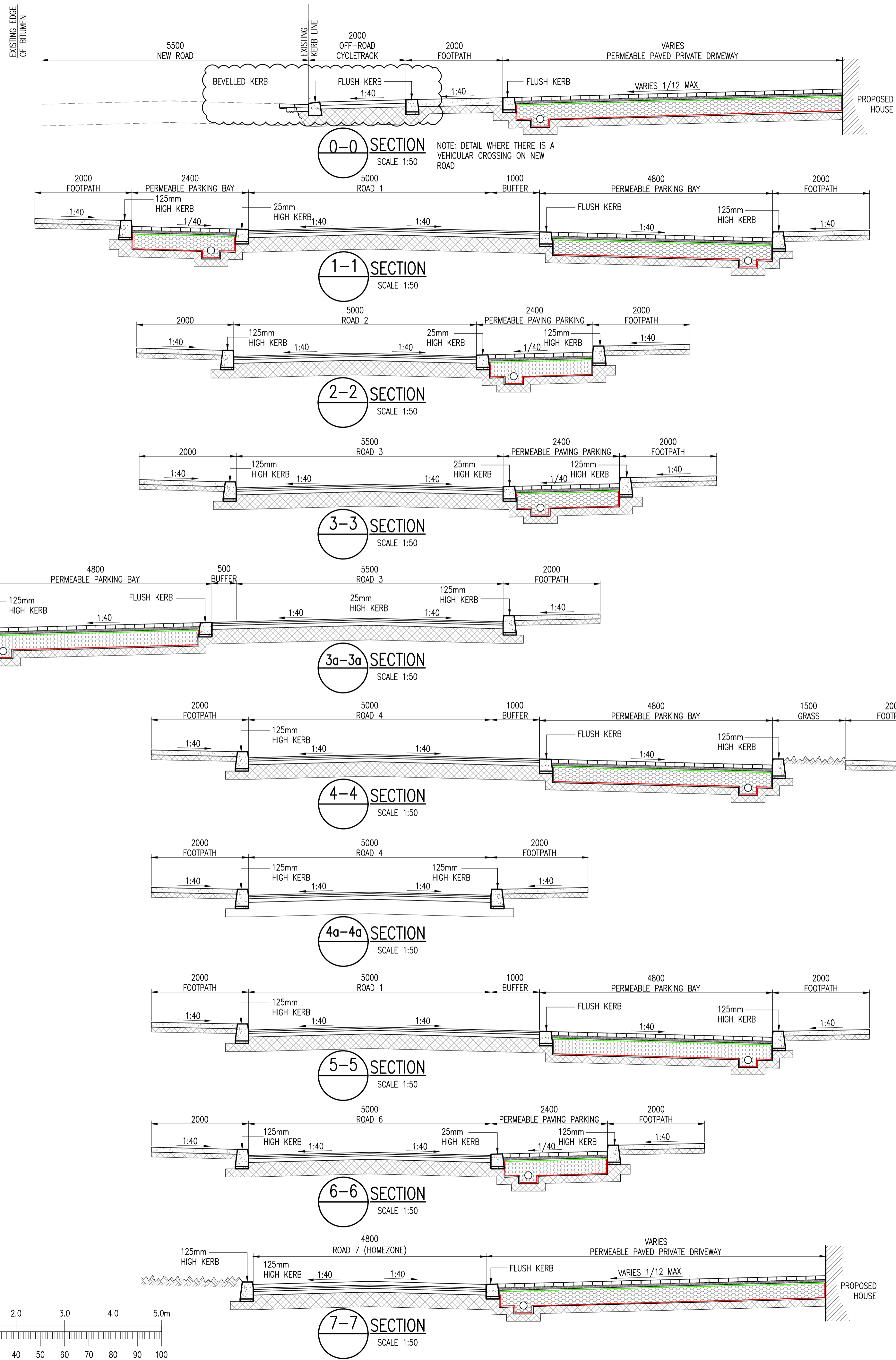
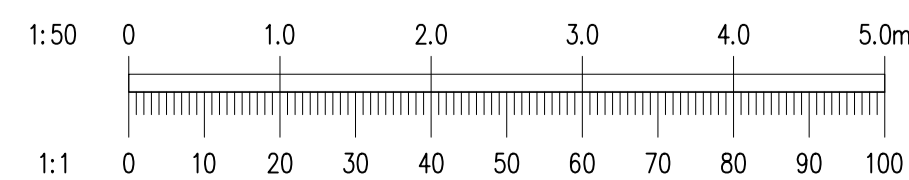


8-8 SECTION
SCALE 1:25

LEGEND	
	PROPOSED BLACKTOP ROAD CONSTRUCTION
	PROPOSED CONCRETE FOOTPATH CONSTRUCTION
	PROPOSED RAISED TABLE
	PROPOSED HOMEZONE
	PROPOSED PERMEABLE PAVING



SECTION LOCATION PLAN
SCALE 1:1500 @ A1



This drawing should not be scaled. Dimensions to be verified on site.
Any discrepancies should be referred to the Engineer prior to work being put in hand.
This drawing is the property of Waterman Moylan Consulting Engineers Limited and is issued on the condition that it is not copied, reproduced, retained or disclosed to any unauthorized person, either wholly or in part without the consent in writing of Waterman Moylan Consulting Engineers Limited.
Block S East Point Business Park Dublin D03 H3F4 Ireland t +353 1 664 8900

- NOTES:
- DO NOT SCALE. USE FIGURED DIMENSIONS ONLY.
 - THIS DRAWING IS TO BE READ IN CONJUNCTION WITH ALL OTHER RELEVANT ARCHITECTURAL AND ENGINEERING DRAWINGS.

Rev	Date	Description	By	CHK
A	04/04/24	REVISED AS CLOUDED	PJD	RW

Project: PROPOSED RESIDENTIAL DEVELOPMENT NEW ROAD, DONABATE

Title: ROAD CROSS SECTIONS

Client: FINGAL COUNTY COUNCIL

Logo: waterman moylan

Block S, EASTPOINT BUSINESS PARK, ALFIE BYRNE ROAD, DUBLIN D03 H3F4 IRELAND. Tel: (01) 664 8900
Email: info@waterman-moylan.ie www.waterman-moylan.ie

Status: FOR PUBLIC DISPLAY

Designed By	PJD	Approved	MD	Waterman Ref	23-129
Drawn By	PJD	Date	APRIL 2024	Scales @ A1	AS SHOWN

Project - Originator - Volume - Level - Type - Role - Number - Revision

NRD-WMC-XX-00 - DR - C - P115 A