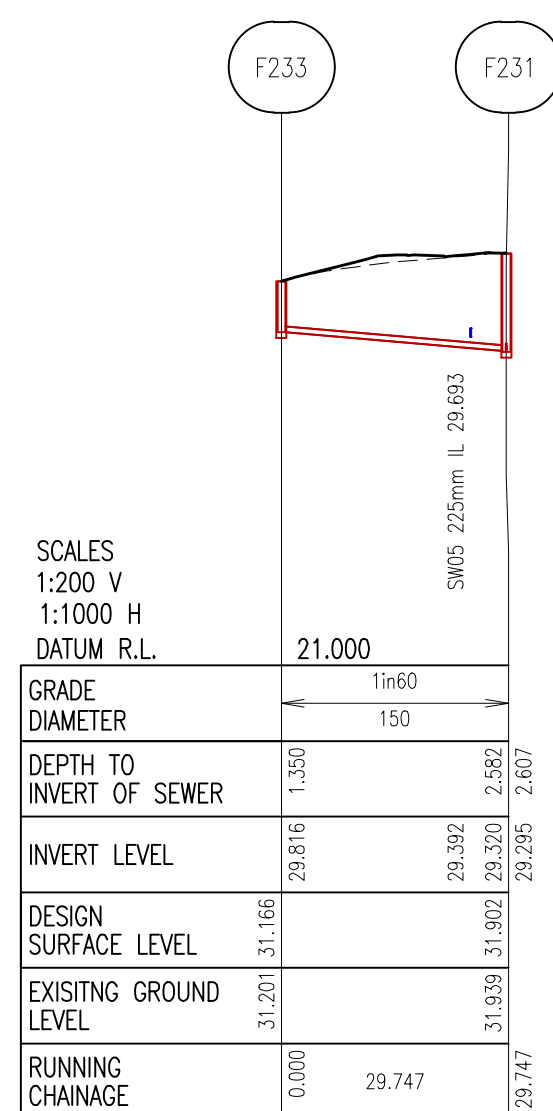
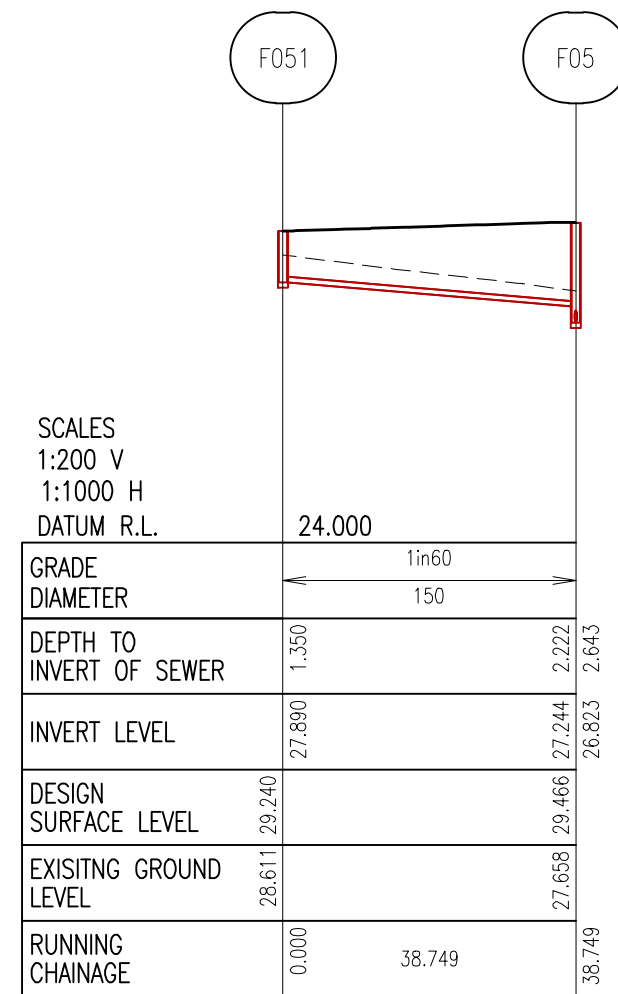


NOTES:

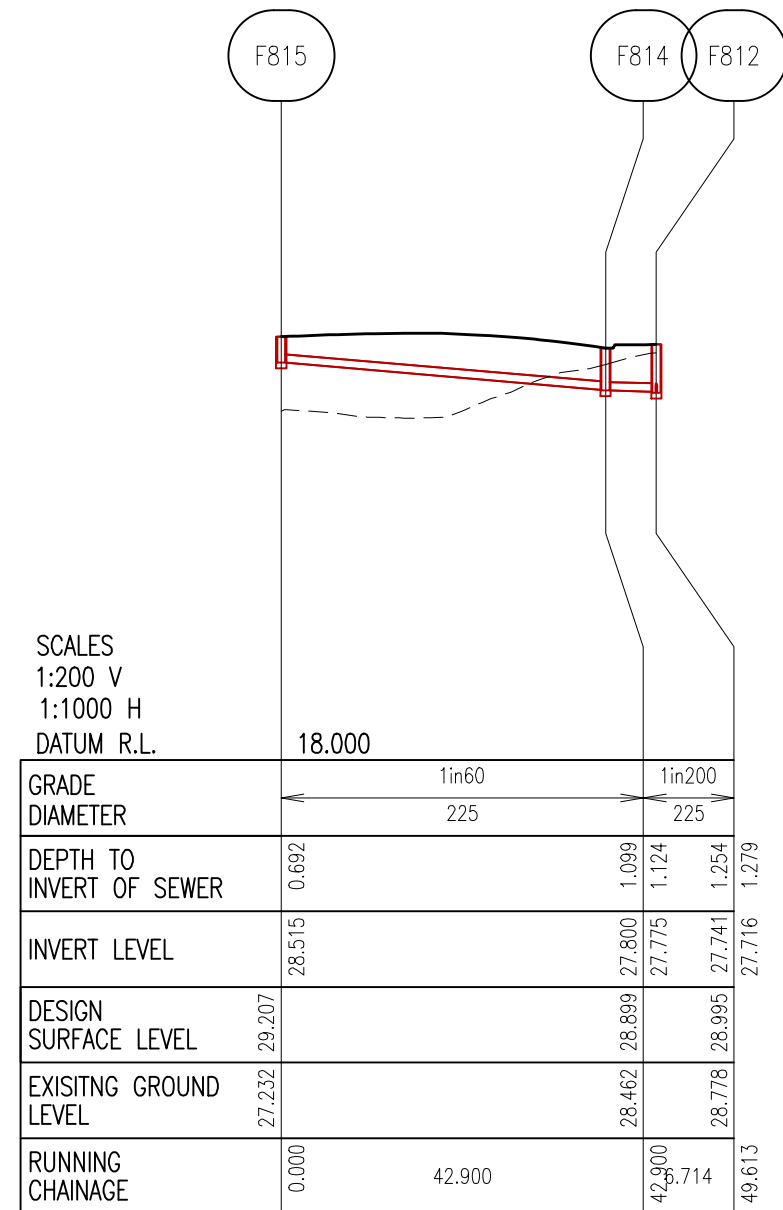
- DO NOT SCALE. USE FIGURED DIMENSIONS ONLY.
- THIS DRAWING IS TO BE READ IN CONJUNCTION WITH ALL OTHER RELEVANT ARCHITECTURAL AND ENGINEERING DRAWINGS.



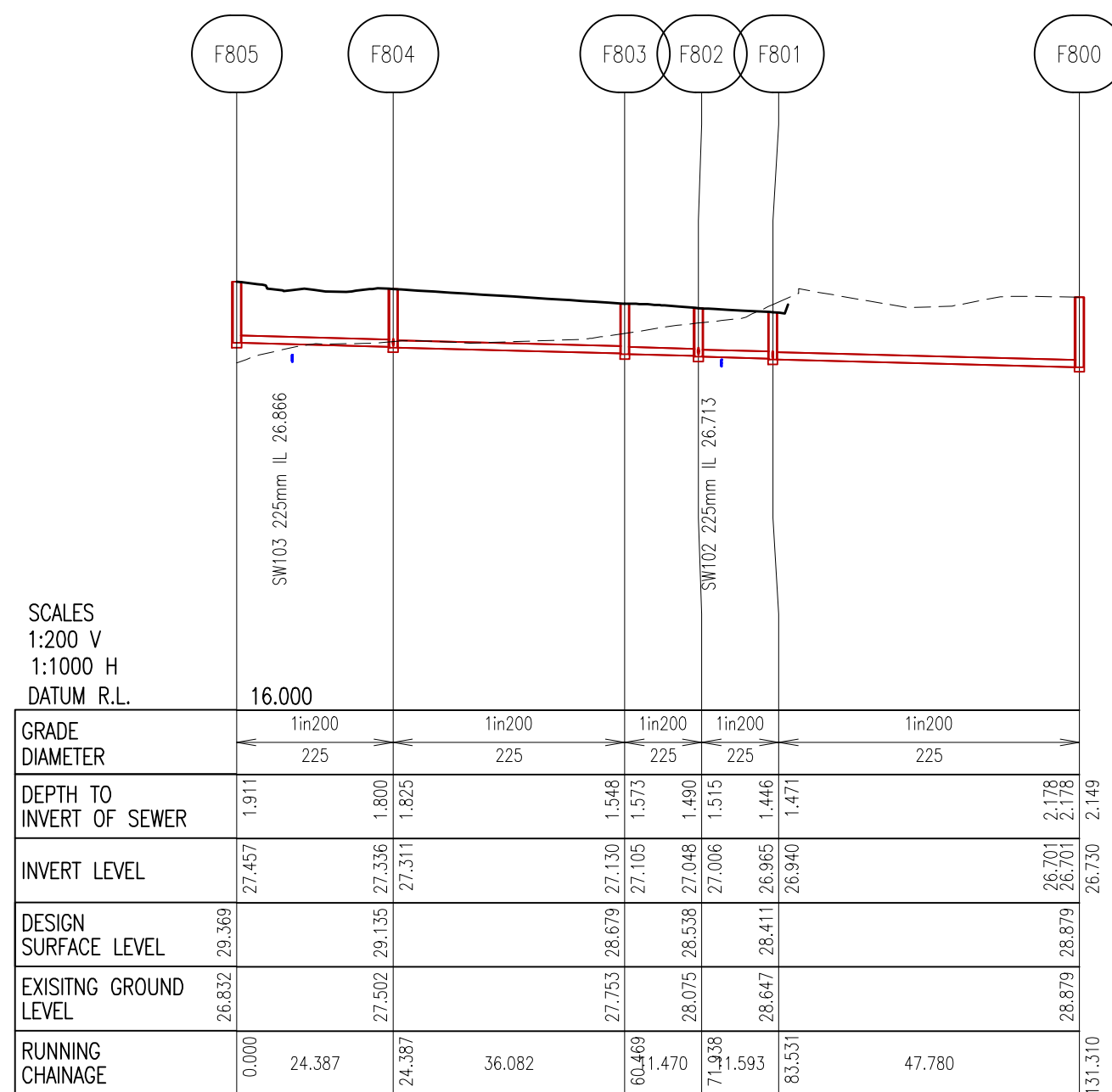
FOUL DRAINAGE LONG SECTION THROUGH FOUL MANHOLES F233 TO F231



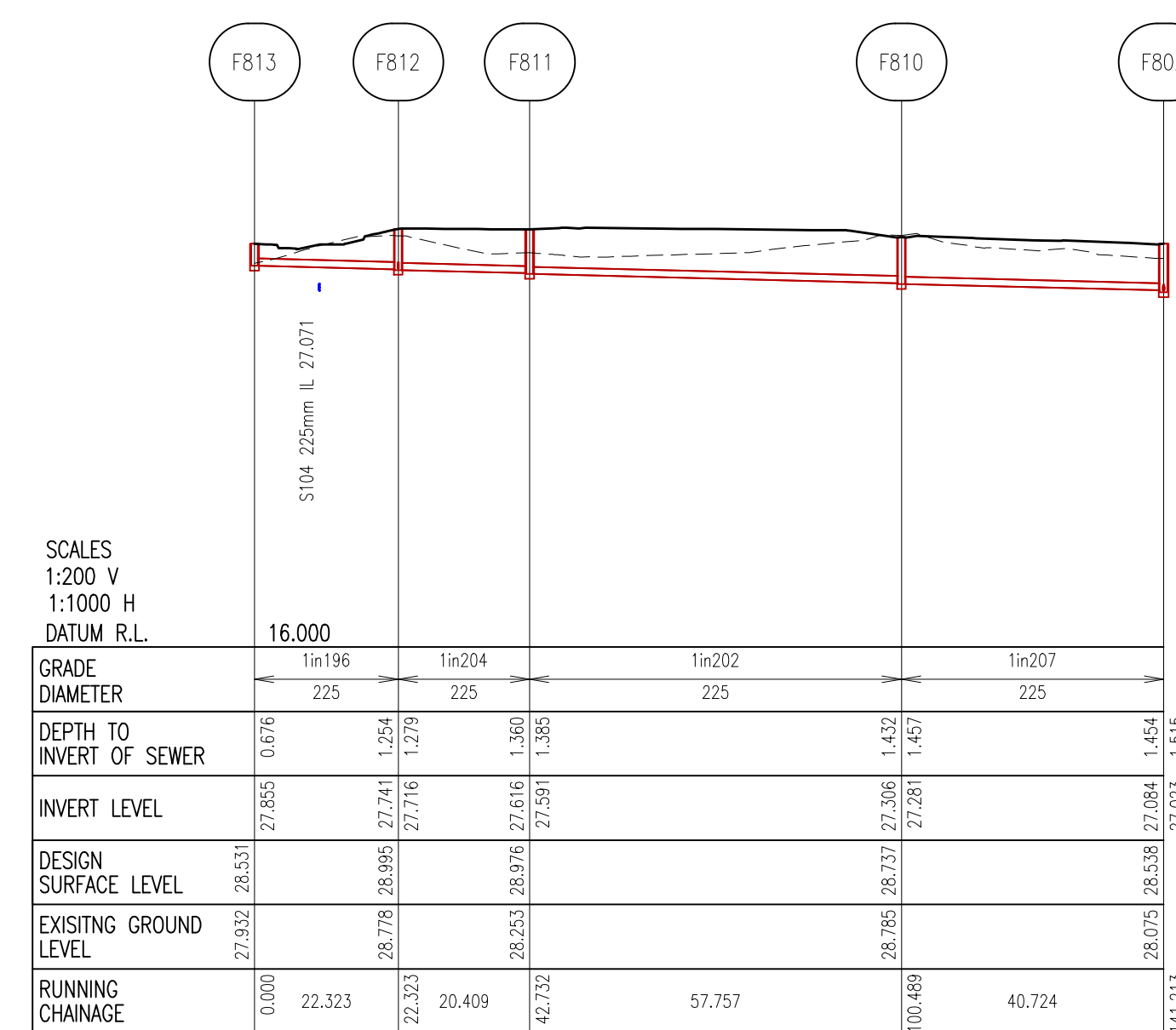
FOUL DRAINAGE LONG SECTION THROUGH FOUL MANHOLES F051 TO F05



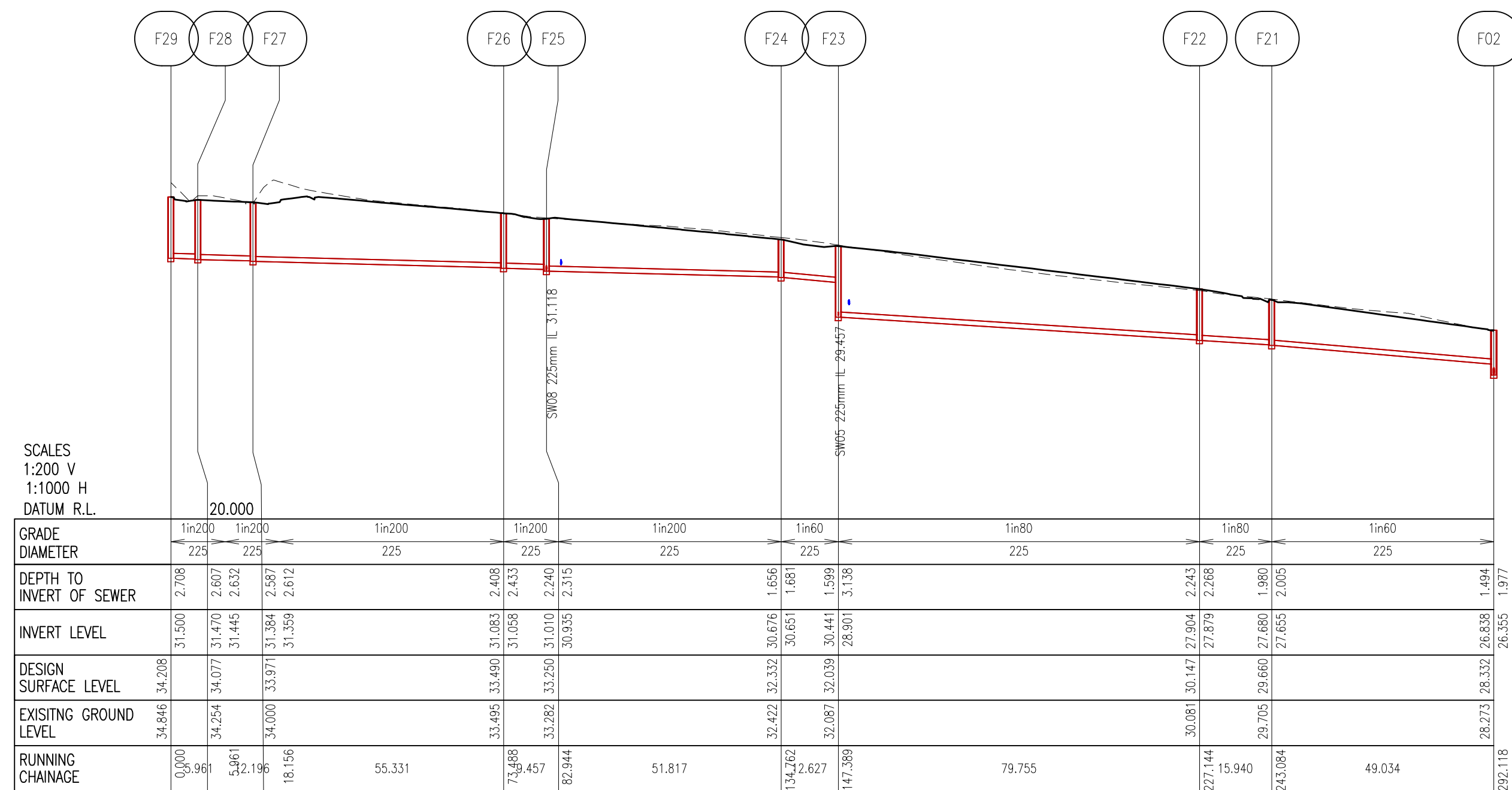
FOUL DRAINAGE LONG SECTION THROUGH FOUL MANHOLES F815 TO F812



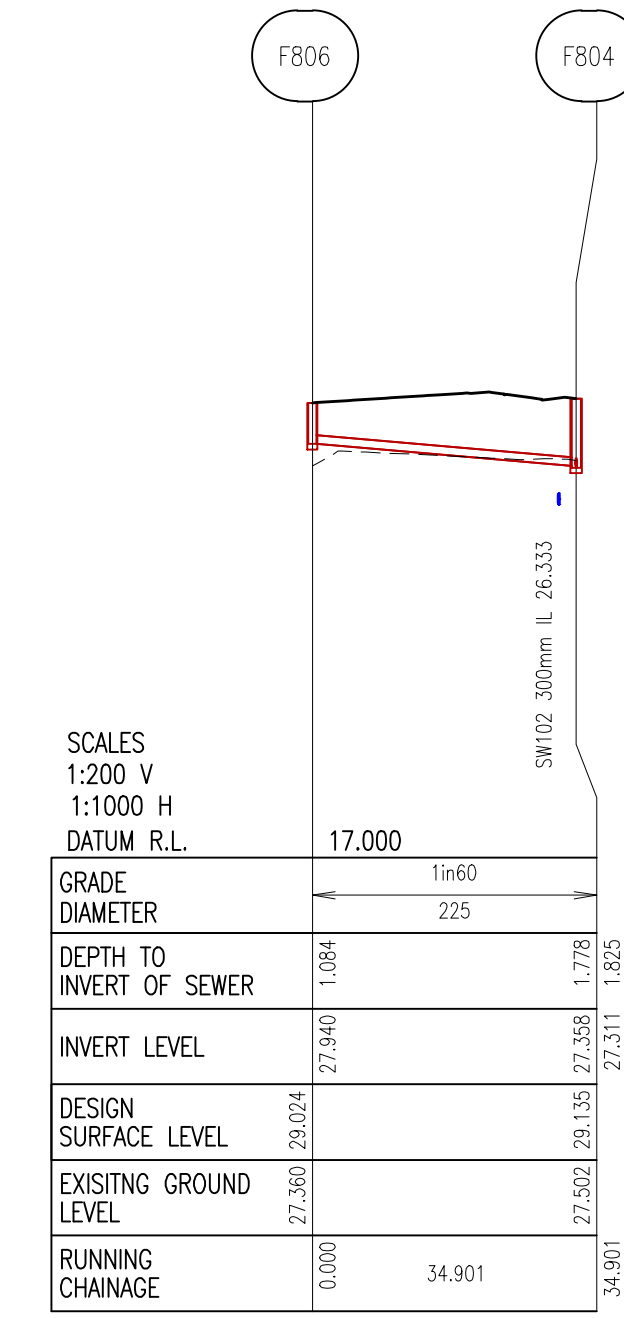
FOUL DRAINAGE LONG SECTION THROUGH FOUL MANHOLES F805 TO F800



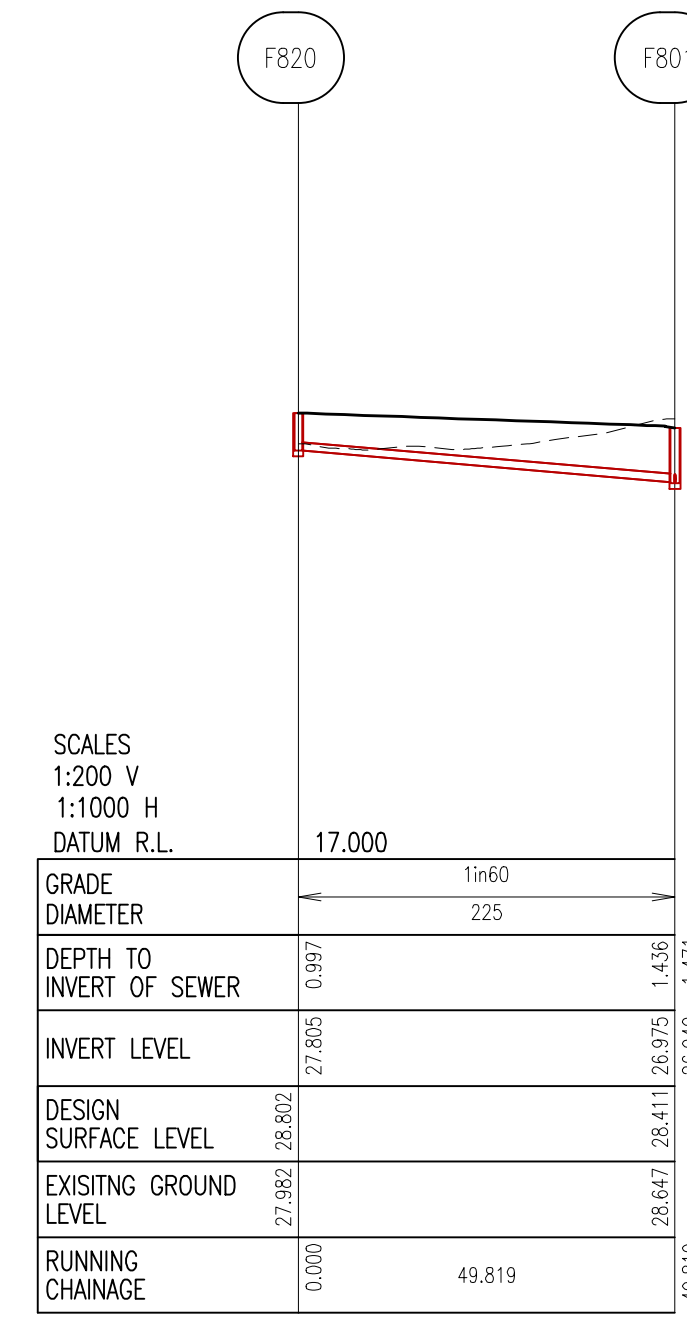
FOUL DRAINAGE LONG SECTION THROUGH FOUL MANHOLES F813 TO F802



FOUL DRAINAGE LONG SECTION THROUGH FOUL MANHOLES F29 TO F02



FOUL DRAINAGE LONG SECTION THROUGH FOUL MANHOLES F806 TO F804



FOUL DRAINAGE LONG SECTION THROUGH FOUL MANHOLES F820 TO F801

Rev	Date	Description	By	CHK

Amendments

Project
PHASE 1, MOORETOWN

Title
FOUL SEWER LONGSECTIONS SHEET 1 OF 3

Client
 FINGAL COUNTY COUNCIL



Block S, Eastpoint Business Park, Alfie Byrne Road, Dublin D03 H3F4 Ireland. Tel: (01) 664 8900
 Email: info@waterman-moylan.ie www.waterman-moylan.ie

Status
PUBLIC DISPLAY

Designed By	RM	Approved	MD	Waterman Ref	23-102
Drawn By	MS	Date	MARCH 2024	Scales @ A1	AS SHOWN

Project - Originator - Volume - Level - Type - Role - Number
MTN - WMC - PH1 - ZZ - DR - C - P1251

