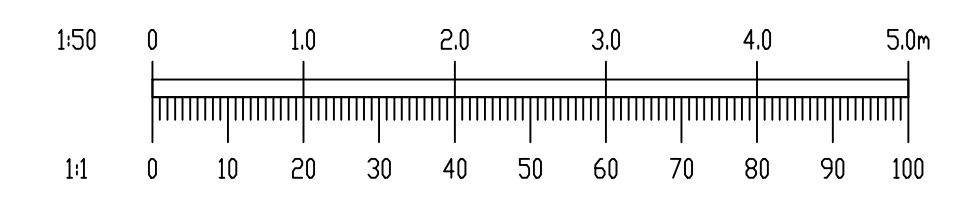
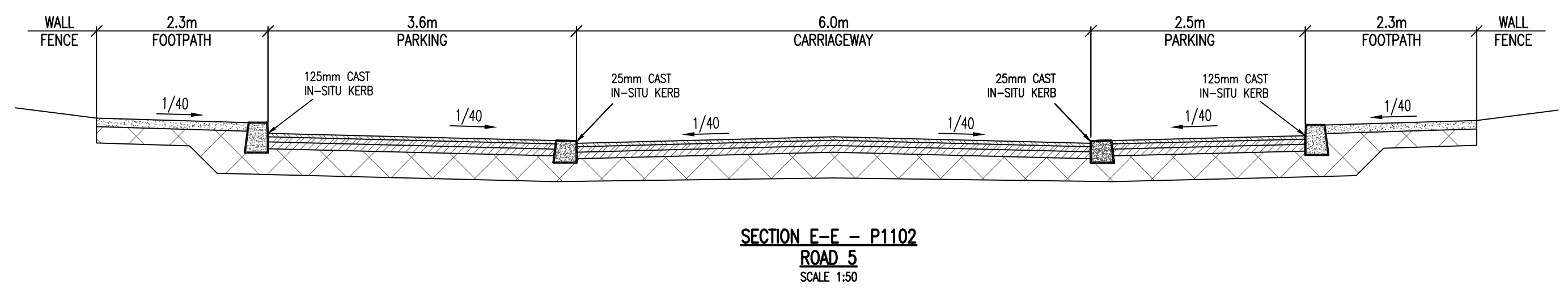
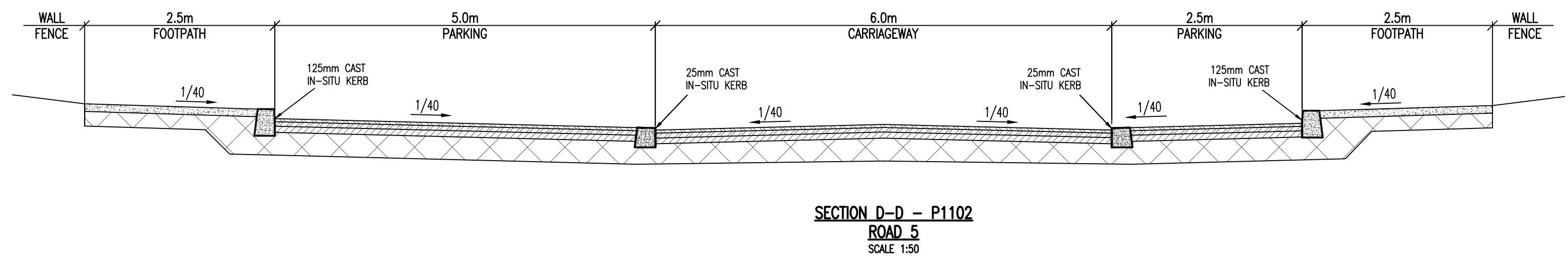
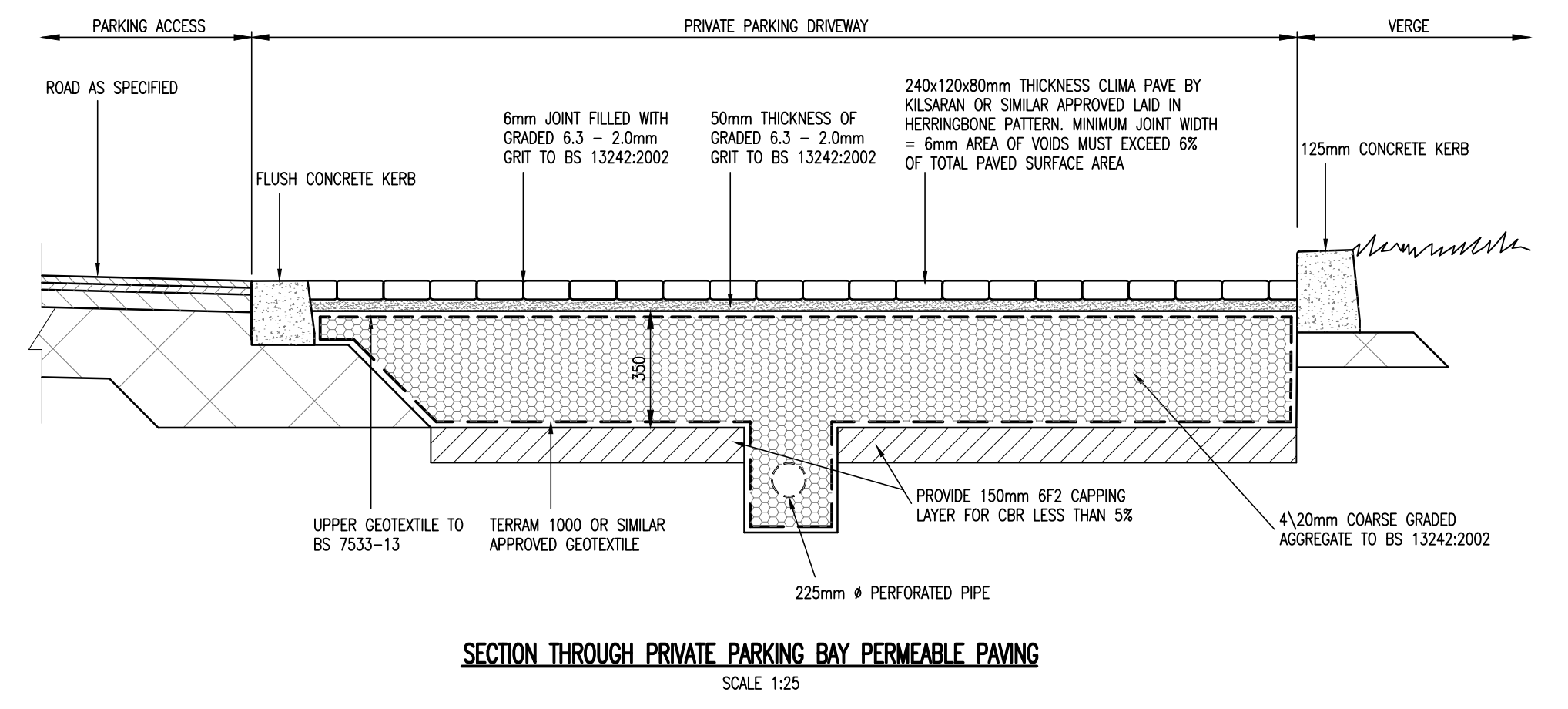
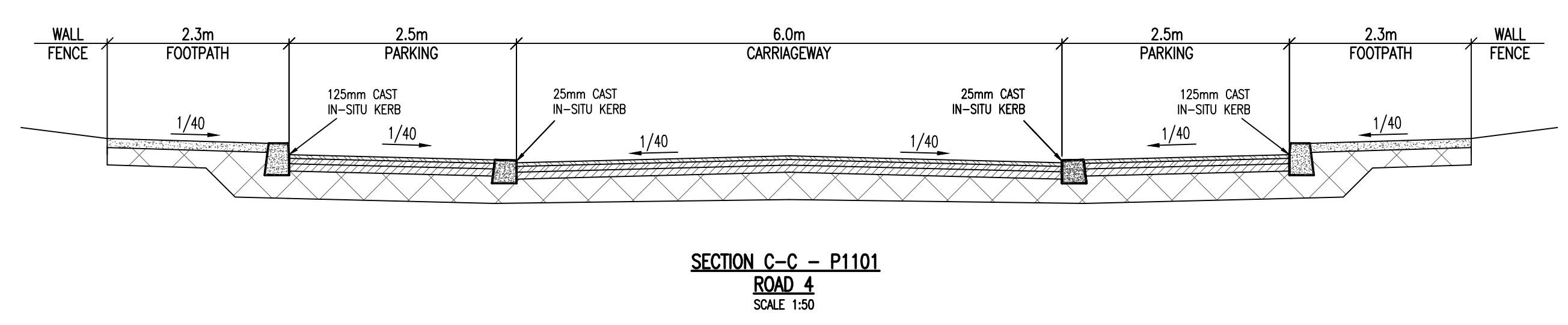
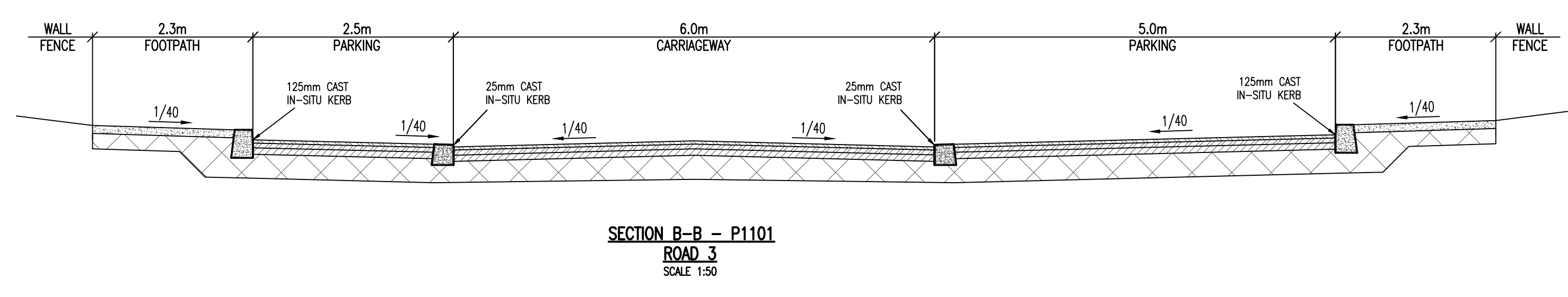
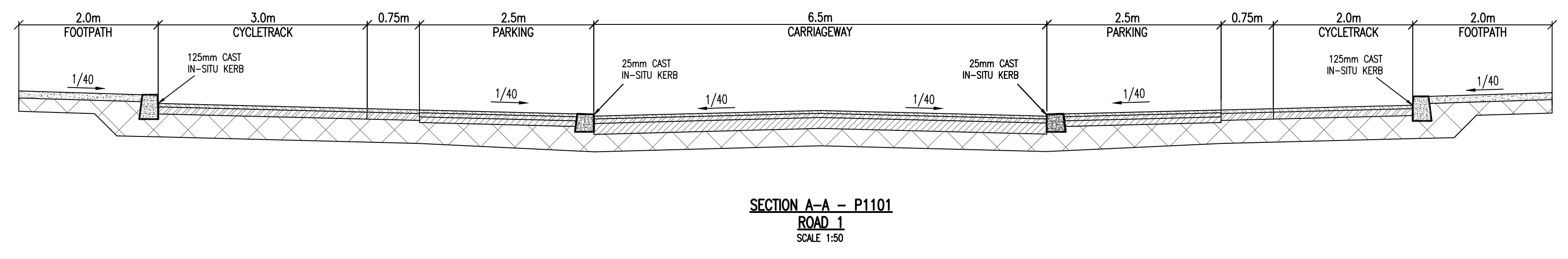



This drawing should not be scaled. Dimensions to be verified on site.
 Any discrepancies should be referred to the Engineer prior to work being put in hand.
 This drawing is the property of Waterman Moylan Consulting Engineers Limited and is issued on the condition that it is not copied, reproduced, retained or disclosed to any unauthorized person, either wholly or in part without the consent in writing of Waterman Moylan Consulting Engineers Limited.
 Block 5, East Point Business Park, Dublin D03 H3F4, Ireland
 1-853 1 864 8900

- NOTES:
- DO NOT SCALE. USE FIGURED DIMENSIONS ONLY.
 - THIS DRAWING IS TO BE READ IN CONJUNCTION WITH ALL OTHER RELEVANT ARCHITECTURAL AND ENGINEERING DRAWINGS.



Rev	Date	Description	By	CHK
Amendments				
Project				
PHASE 1, MOORETOWN				
Title				
ROAD DETAILS AND SECTIONS SHEET 2 OF 2				
Client				
FINGAL COUNTY COUNCIL				
				
BLOCK 5, EASTPOINT BUSINESS PARK, ALFIE BYRNE ROAD, DUBLIN D03 H3F4 IRELAND. Tel: (01) 864 8900 Email: info@waterman-moylan.ie www.waterman-moylan.ie				
Status				
PUBLIC DISPLAY				
Designed By	RM	Approved	MD	Waterman Ref
Drawn By	MS	Date	MARCH 2024	23-102
				Scales @ A1
				1:50
Project	Originator	Volume	Level	Type
MTN - WMC - PH1 - ZZ - DR - C - P1121				Revision

Drawing Location: M:\Projects\23025-102 Moorestown\Drawings\Waterman Moylan\Civil\Planning\Autocad\Drawings\PHASE 1\MTN-WMC-PH1-ZZ-DR-C-P1121 Road Details and Sections_Sheet 2 of 2.dwg
 Date: Aug 28, 2024 11:49pm