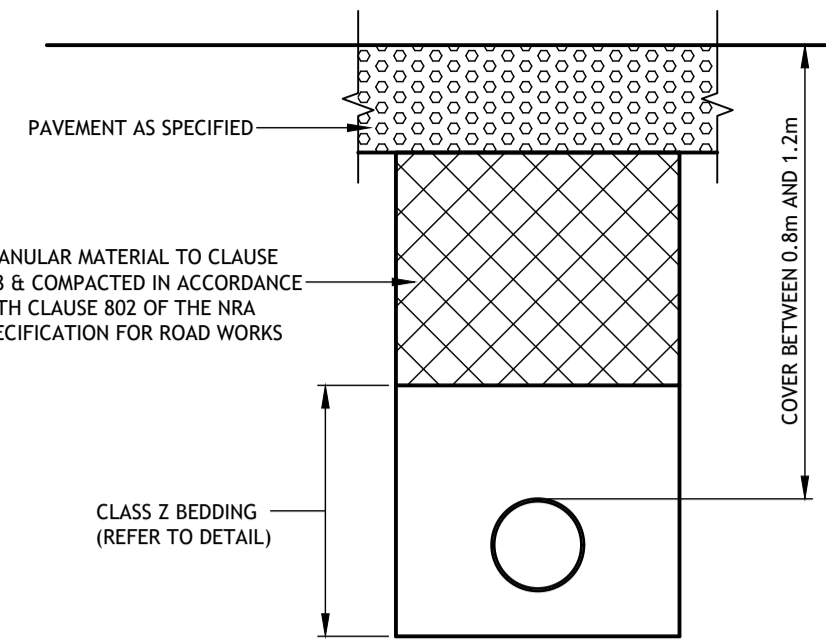
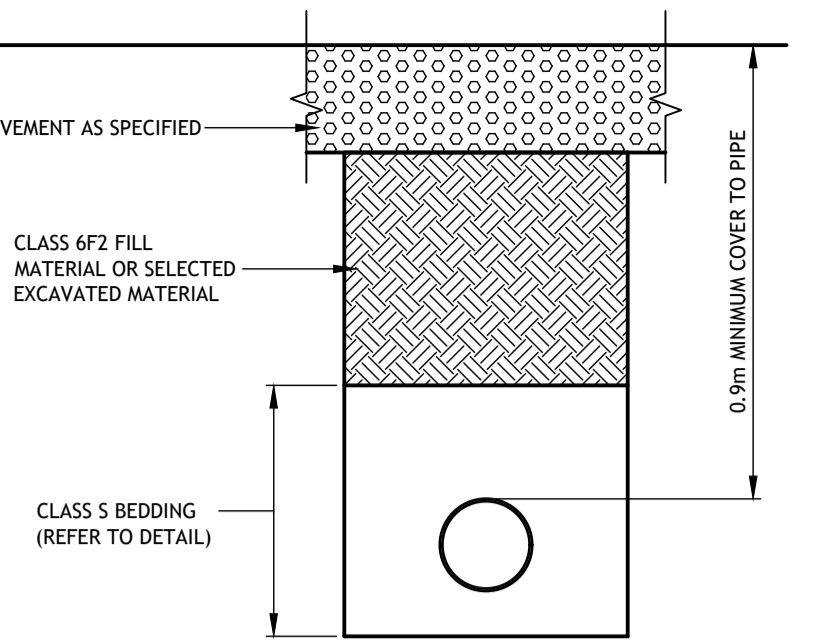


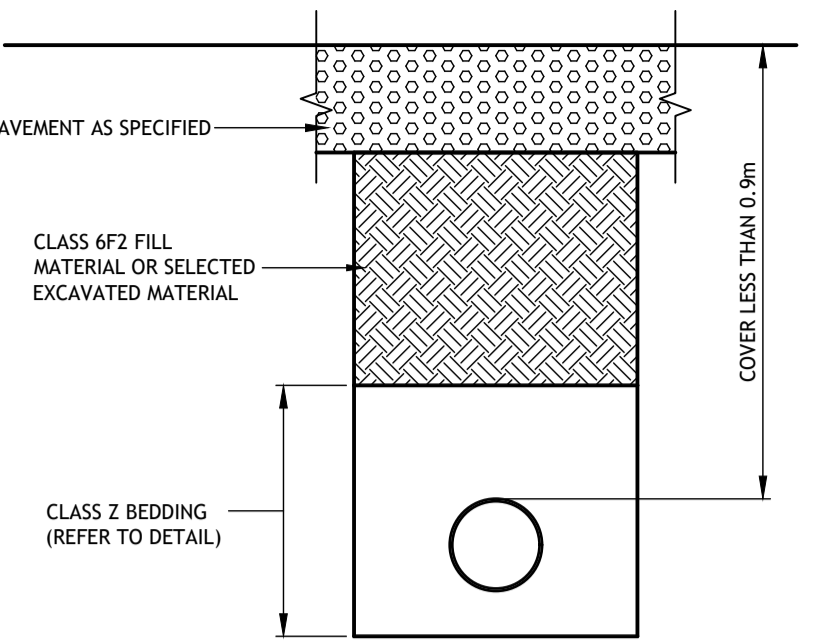
DETAIL 1
PERMANENT REINSTATEMENT OF LONGITUDINAL TRENCH IN ROADWAYS AND PATHS WITH MINIMUM 1.2m COVER



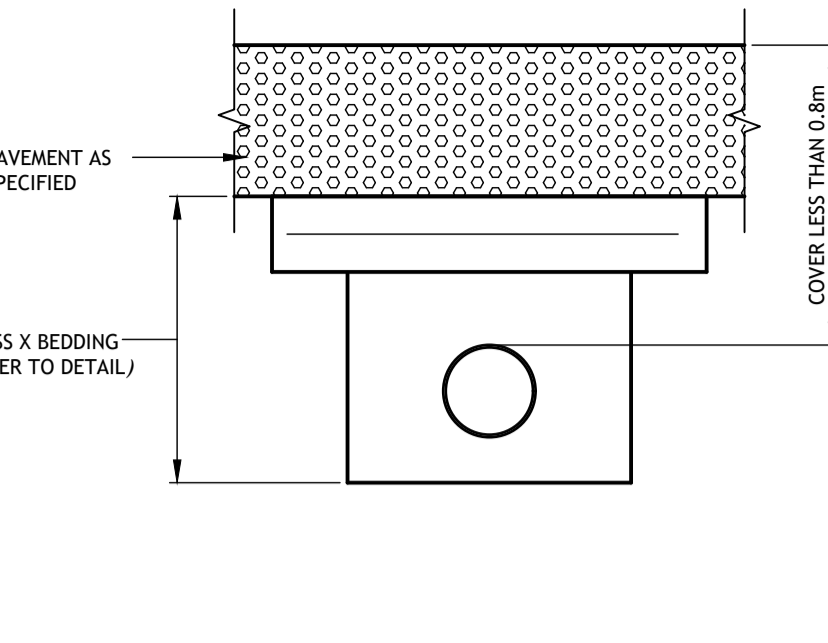
DETAIL 2
PERMANENT REINSTATEMENT OF LONGITUDINAL TRENCH IN ROADWAYS AND PATHS WITH COVER BETWEEN 0.8m AND 1.2m



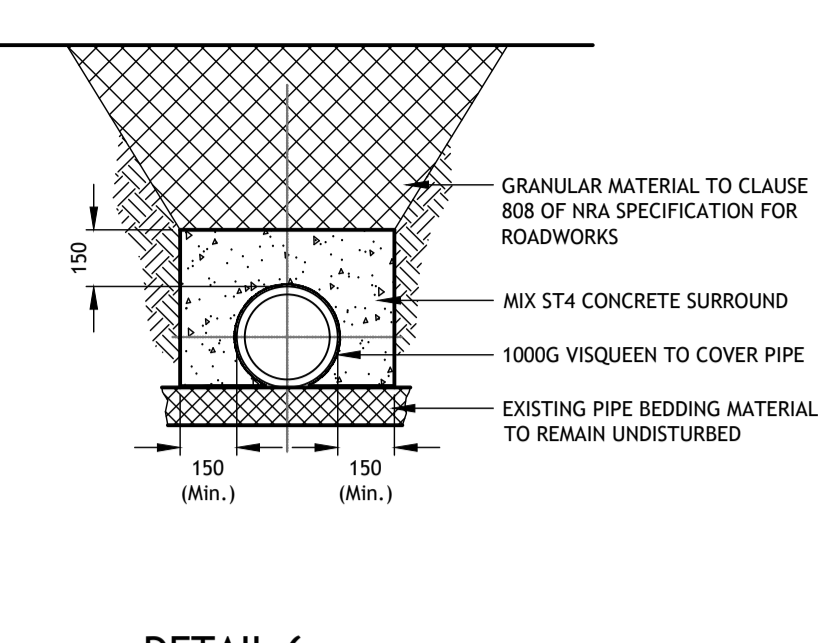
DETAIL 3
PERMANENT REINSTATEMENT OF TRENCH IN SOFT LANDSCAPE AREAS WITH MINIMUM 0.9m COVER



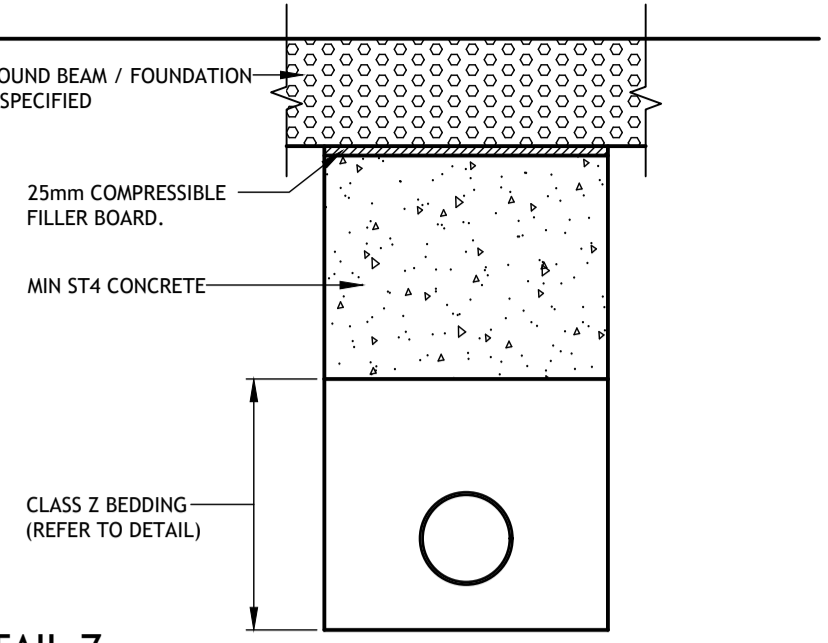
DETAIL 4
PERMANENT REINSTATEMENT OF TRENCH IN SOFT LANDSCAPE AREAS WITH LESS THAN 0.9m COVER



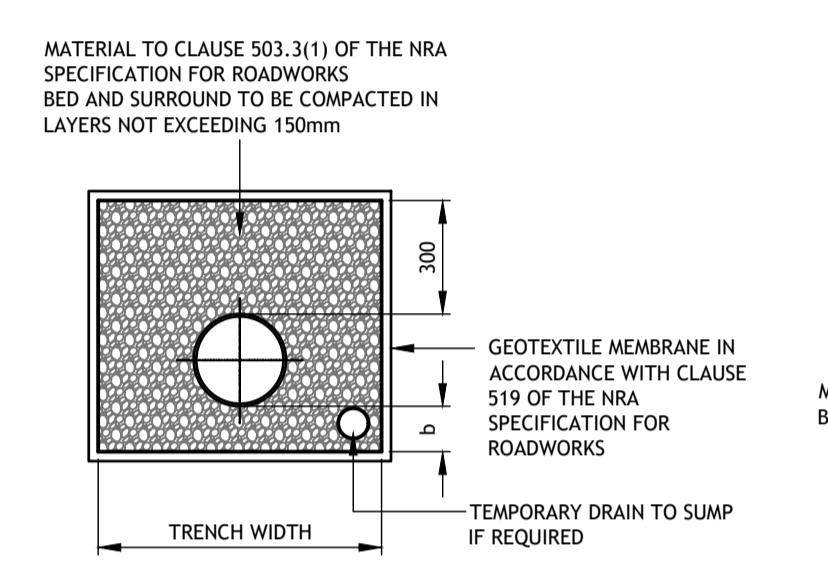
DETAIL 5
PERMANENT REINSTATEMENT OF LONGITUDINAL TRENCH IN ROADWAYS AND PATHS WITH LESS THAN 0.8m COVER



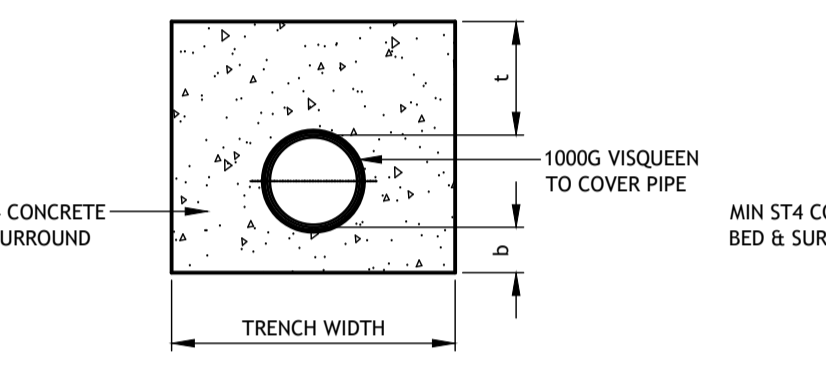
DETAIL 6
CONCRETE SURROUND PROTECTION TO EXISTING SEWER



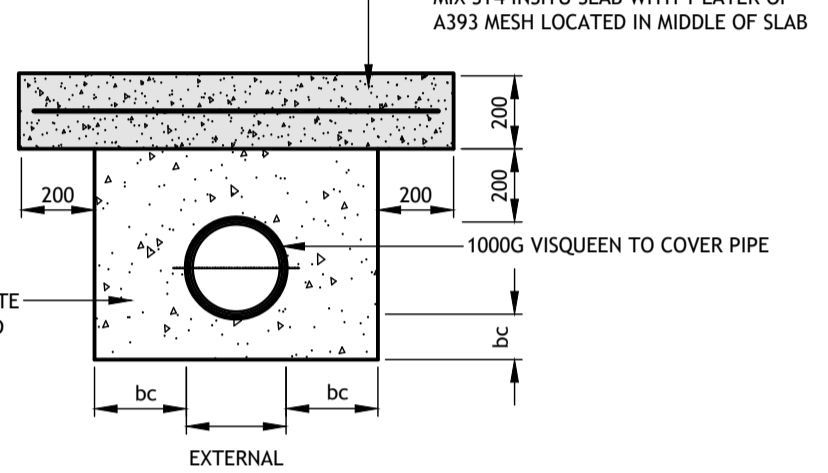
DETAIL 7
IMMEDIATE PERMANENT REINSTATEMENT OF TRENCH CROSSING UNDER BUILDING OR WITHIN 1m OF BUILDING OR OTHER FOUNDATION



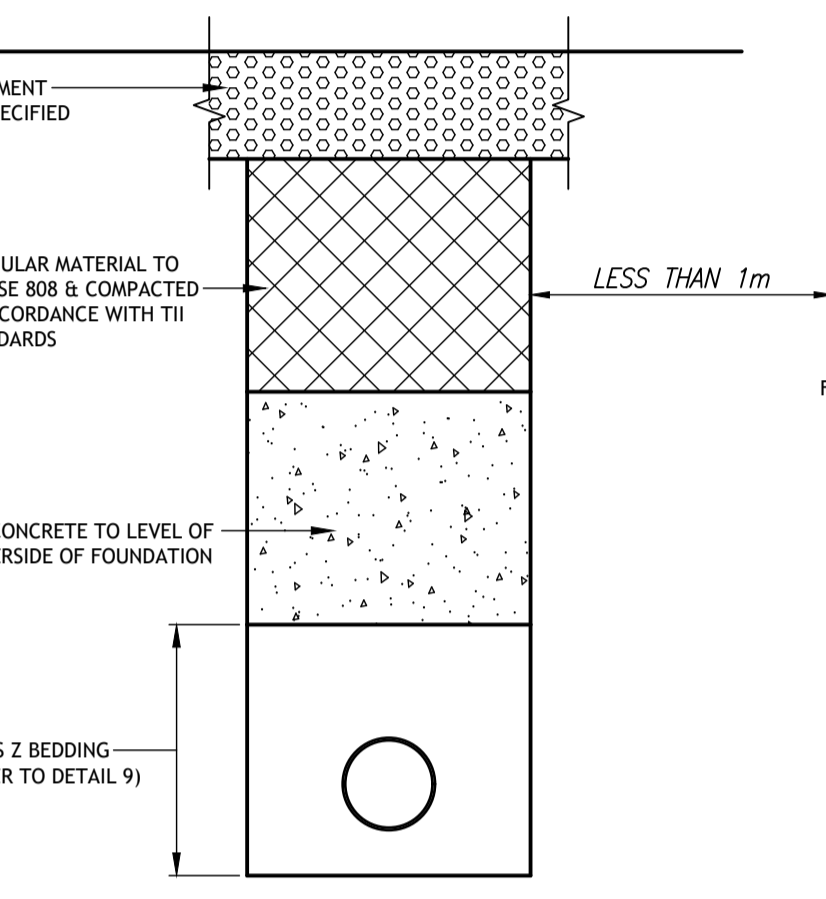
DETAIL 8
CLASS 5 BEDDING (GRANULAR BED AND SURROUND)
SCALE 1:20



DETAIL 9
CLASS Z BEDDING (CONCRETE BED AND SURROUND)
SCALE 1:20



DETAILS 10
CLASS X BEDDING (CONCRETE BED AND SURROUND) WITH MESH REINFORCING
SCALE 1:20



DETAIL 12
PIPE IN CLOSE PROXIMITY TO FOUNDATION
SCALE 1:20

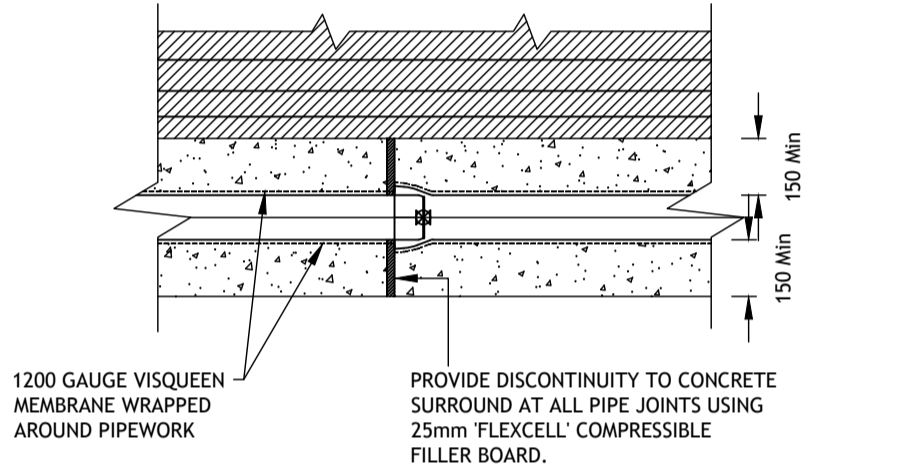
TRENCH WIDTHS AND DIMENSIONS FOR FOUL AND SURFACE WATER DRAINS				
PIPE DIAMETER (mm)	"Do" (mm)	"b" (mm)	"t" (mm)	TRENCH WIDTH (mm)
100	150	150	150	600
150	210	150	150	700
225	300	150	150	750
300	400	150	150	850
375	480	150	150	950
450	560	150	150	1000
525	650	150	150	1100
600	735	150	150	1200
675	850	200	200	1350
750	910	200	200	1450
900	1080	200	200	1650

TABLE 1

DIMENSION-bc						
NOMINAL PIPE DIAMETER (mm)	100-450 incl.	525-600 incl.	750	900	1050	1200
bc (mm)	100	150	200	225	250	300

TABLE 2

- NOTES (PIPE BEDDING)**
- CLAY PUDDLE SHALL BE INCORPORATED IN THE PIPE BED & SURROUND AND TRENCH BACKFILL MATERIAL IN ACCORDANCE WITH THE SPECIFICATION AT 50m INTERVALS
 - IN ROCK OR MIXED SOILS CONTAINING BOULDERS OR HARD SPOTS INCREASE PIPE BEDDING DEPTH BY 100mm
 - THE EMPLOYER'S REPRESENTATIVE MAY INSTRUCT THAT SPECIFIC PROVISION FOR DRAINAGE ALONG THE PIPE TRENCH BE MADE BY MEANS OF CONCRETE OR OTHER LAND DRAINAGE PIPES WHERE THE WATER TABLE LEVEL SO REQUIRES.
 - FOR DIMENSIONS "b", "Do/2" AND TRENCH WIDTH REFER TO TABLE 1
 - FOR DIMENSIONS "bc" REFER TO TABLE 2
 - Do = PIPE OUTER DIAMETER



DETAIL 11
CONCRETE SURROUND TO PIPELINES
SCALE 1:20 @ A1

© PUNCH Consulting Engineers
This drawing and any design herein is the copyright of the Consultants and must not be reproduced without their written consent. All drawings remain the property of the Consultants. Figured dimension only to be taken from this drawing. Consultants to be informed immediately of any discrepancies before work proceeds.

COLOUR DRAWING

BUILDING INFORMATION MODELLING (BIM)
15 EN ISO 19416-2:2018

Rev	Amendment	By	Date	Rev	Amendment	By	Date
C01	PLANNING ISSUE	PF	2023-04-06				

Client:
Fingal County Council

PUNCH consulting engineers
Dublin | Limerick | Cork | Galway | Glasgow
Carnegie House Library Road,
Dun Laoghaire, Co. Dublin, A96 C7W7
t+353 1 271 2200 | w punchconsulting.com

Project: PUBLIC REALM IMPROVEMENTS FOR A PEDESTRIANISED NEW STREET			
Title: DRAINAGE DETAILS - SHEET 3			
Drawn: DAP	Date drawn: APRIL 2023	Technician Check: DAP	Engineer Check: MCD
Project No: 222126	Model Ref: 222126-PUNCH-XX-XX-M2-C-0500-0503	Drawing Status: A01	Approved: AKCD
Scale @ A1: AS INDICATED	Document No: 222126-PUNCH-XX-XX-DR-C-0502	Revision No: C01	