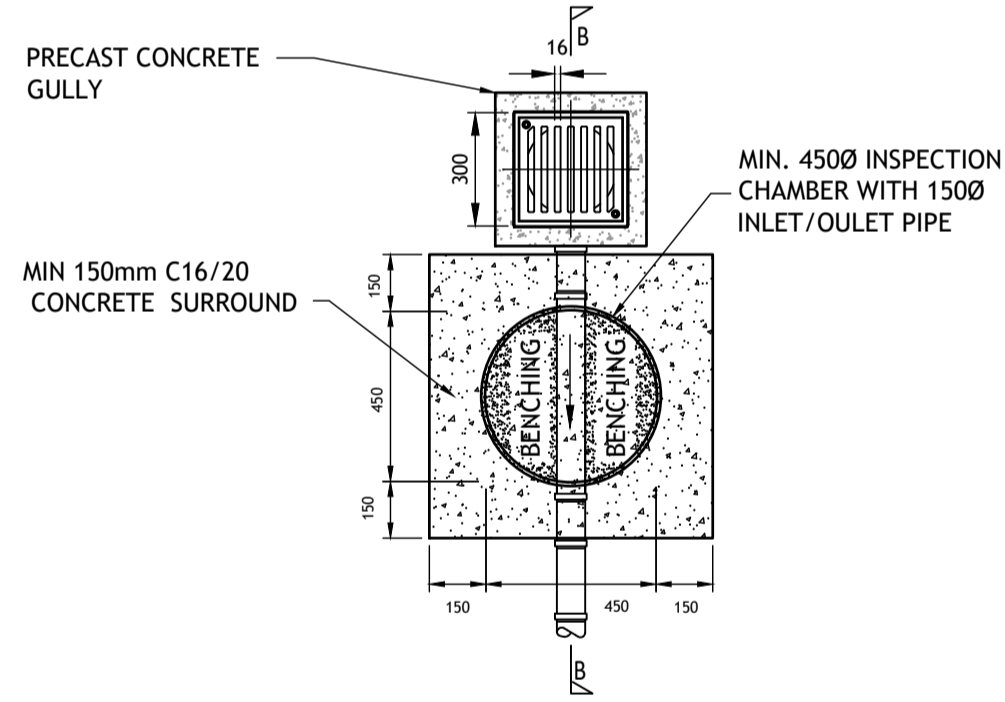
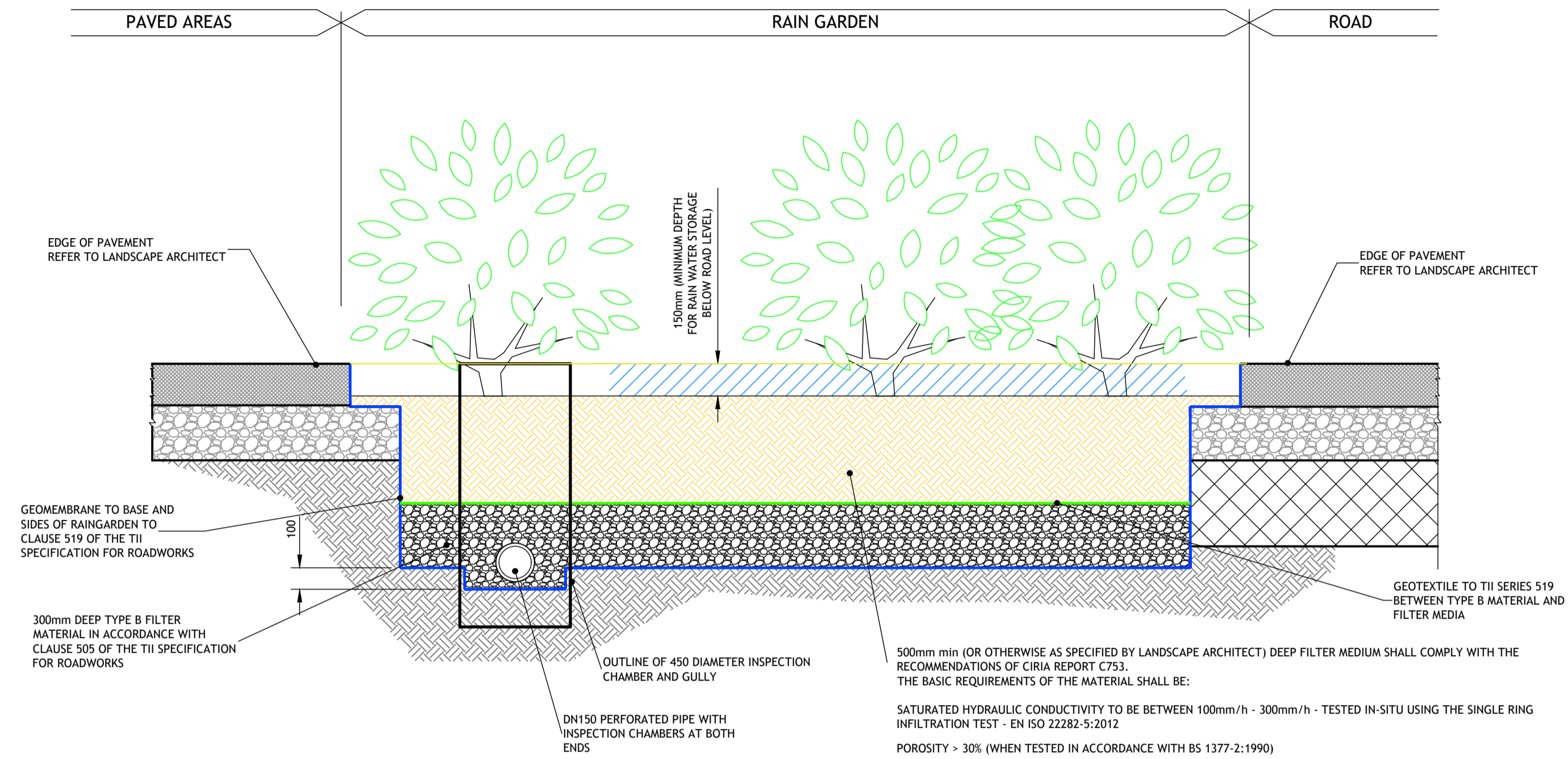


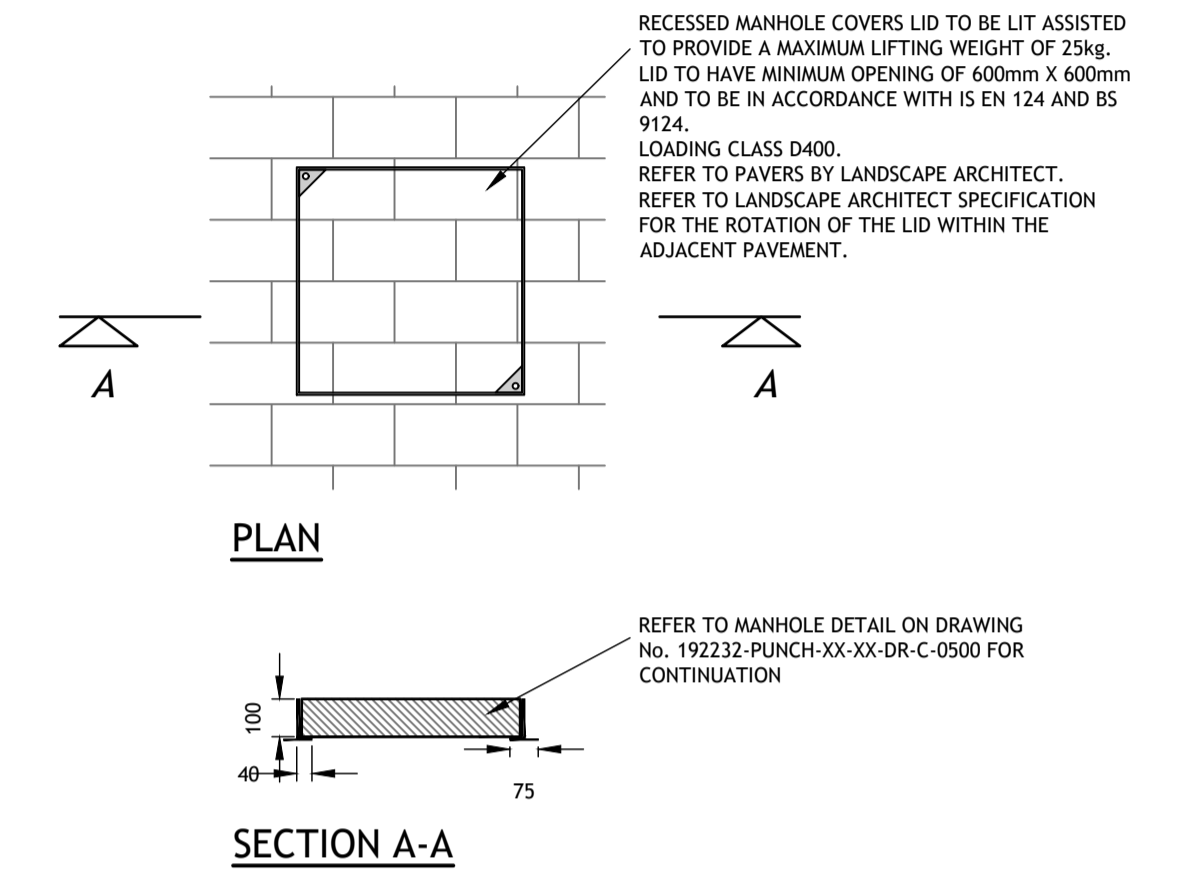
1. INSPECTION CHAMBER CATCHPIT (CP)
SCALE 1:20



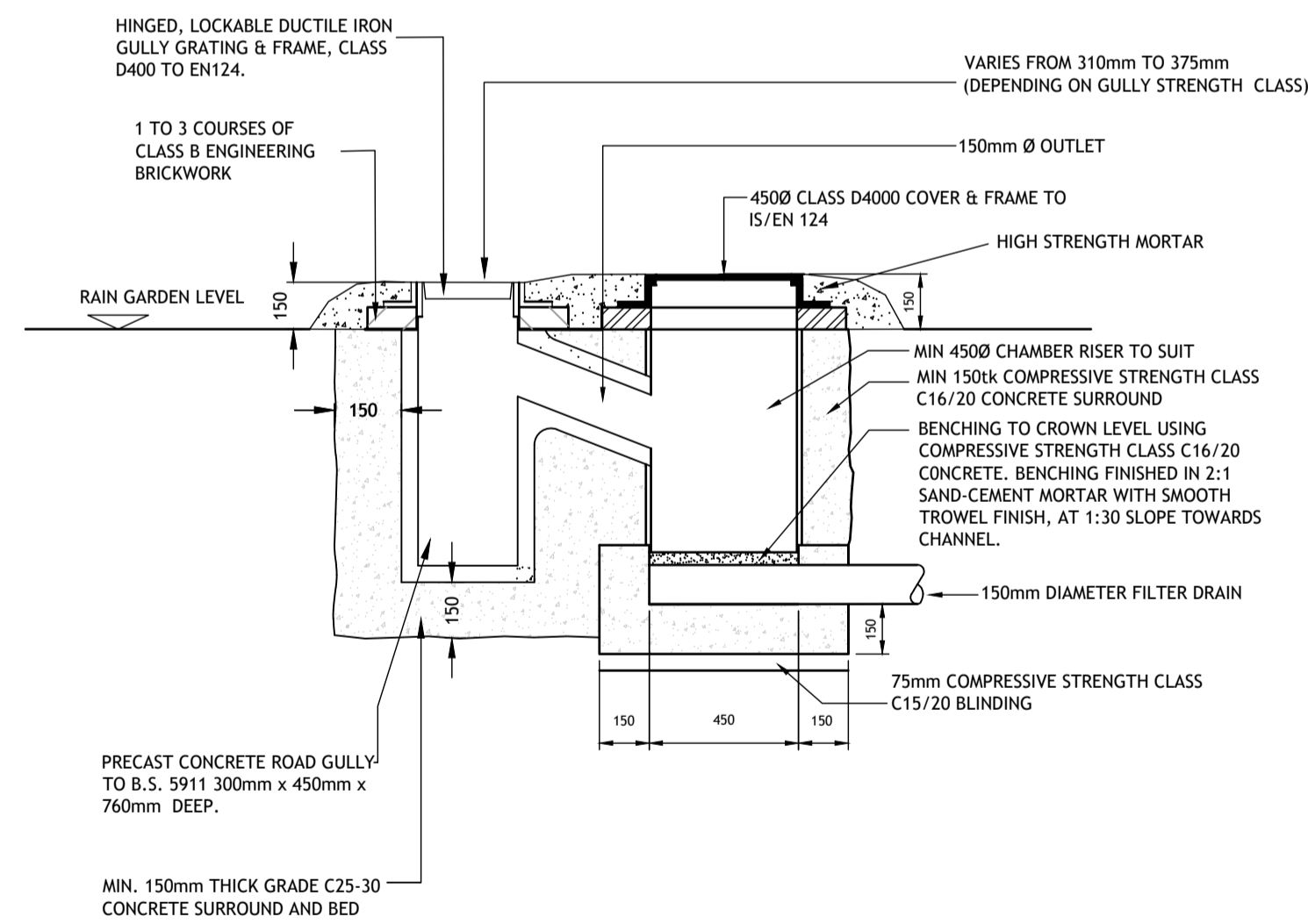
5. GULLY AND INSPECTION CHAMBER CONNECTION IN PLAN
SCALE 1:20



2. RAIN GARDEN - TYPICAL SECTION
SCALE 1:20



3. RECESSED MANHOLE COVER AND FRAME
NOT TO SCALE



FOR STRENGTH CLASS OF GULLY REFER TO EN 124 : 2015, CLAUSE 5

NOTE 1 : PLACE OF INSTALLATION & FIGURES 9A AND 9B PROPRIETARY FITTINGS TO BE USED ON ALL PIPEWORK CONNECTIONS

NOTE 2 :
 GROUP 1 - MIN. CLASS A15 GROUP 4 - MIN. CLASS D400
 GROUP 2 - MIN. CLASS B125 GROUP 5 - MIN. CLASS E600
 GROUP 3 - MIN. CLASS C250 GROUP 6 - MIN. CLASS F900

6. SECTION B-B - GULLY AND INSPECTION CHAMBER CONNECTION DETAIL
SCALE 1:20

Rev	Amendment	By	Date	Rev	Amendment	By	Date	Client:
C01	PLANNING ISSUE	PF	2023-04-06					Fingal County Council

Project: PUBLIC REALM IMPROVEMENTS FOR A PEDESTRIANISED NEW STREET			
Title: DRAINAGE DETAILS - SHEET 2			
Drawn: DAP	Date: APRIL 2023	Technician Check: DAP	Engineer Check: MCD
Project No: 222126	Model Ref: 222126-PUNCH-XX-XX-M2-C-0500-0503	Drawing Status: A01	Approved: AKCD
Scale: AS INDICATED	Document No: 222126-PUNCH-XX-XX-DR-C-0501	Revision No: C01	