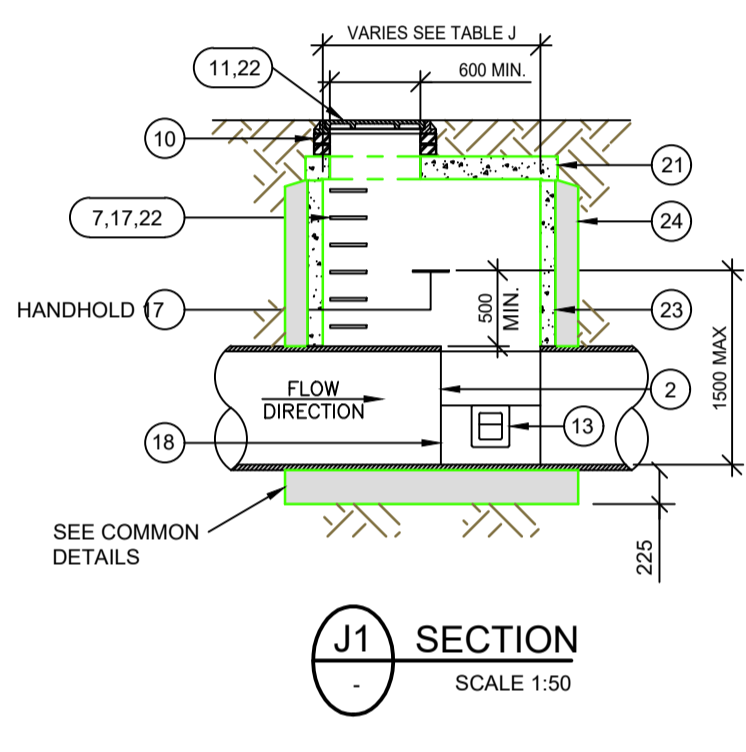
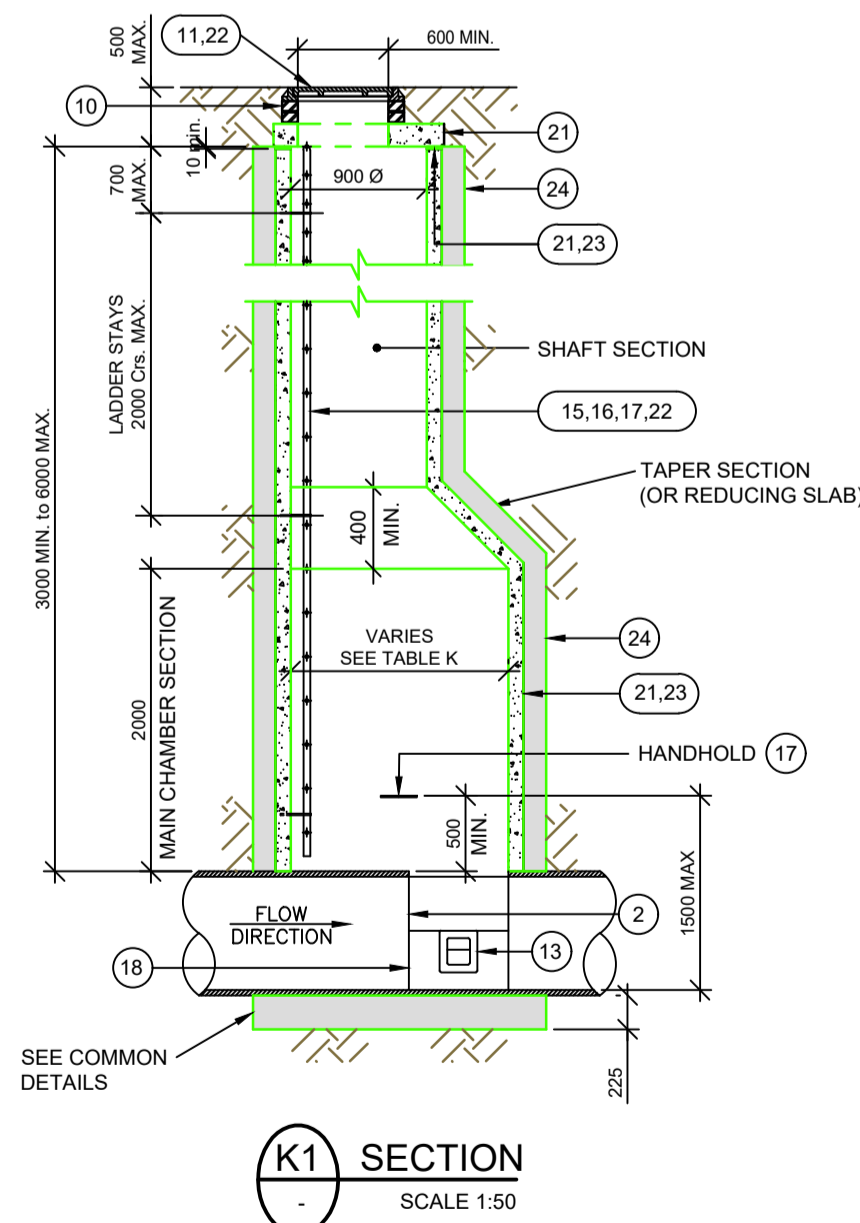


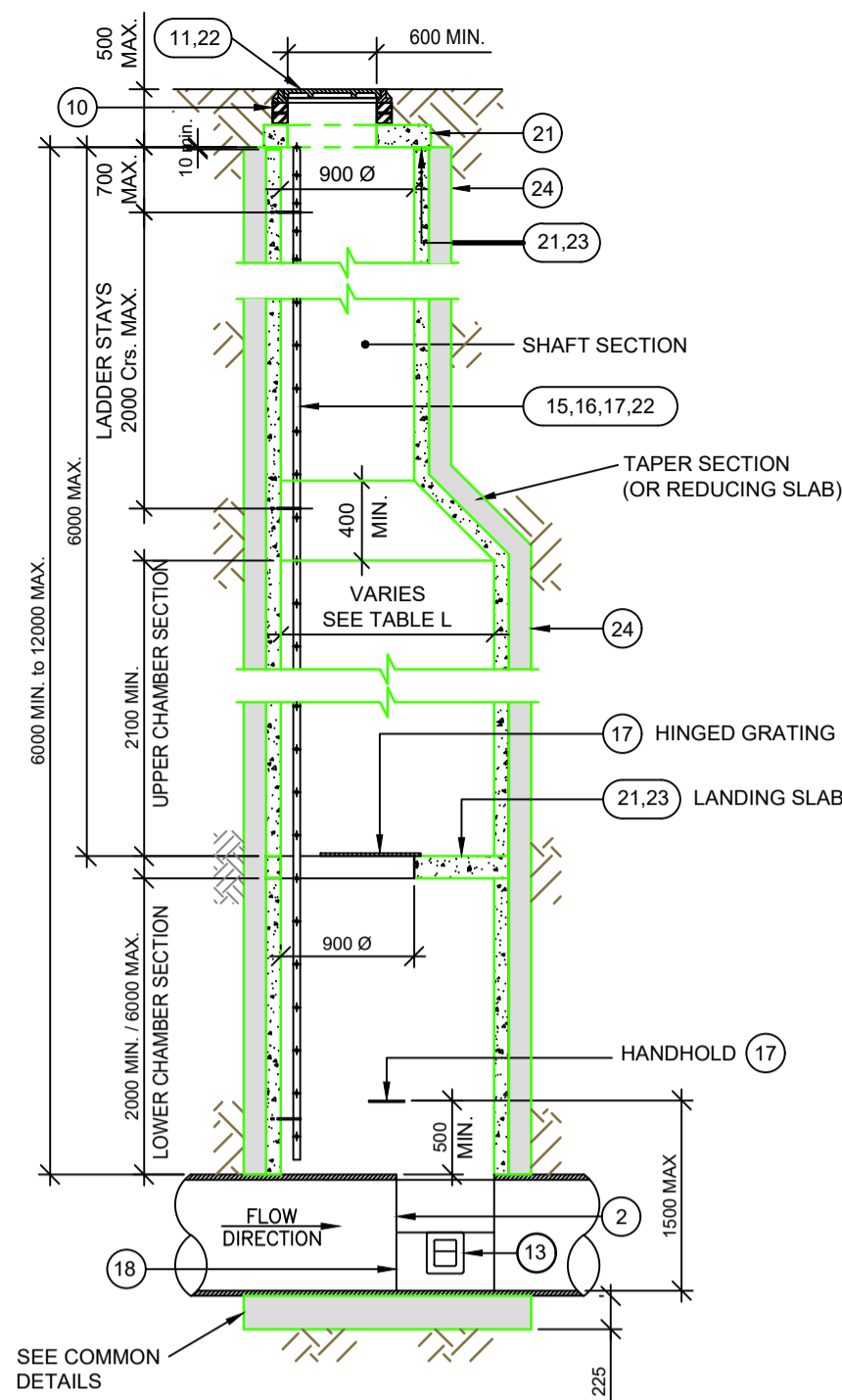
MANHOLE TYPE H
INTERCEPTOR TRAP DETAILS
FOR OUTFALL MANHOLES AT SITE BOUNDARY PRIOR TO CONNECTING TO PUBLIC SYSTEM



MANHOLE TYPE J
1m ≤ DEPTH TO INVERT < 3m

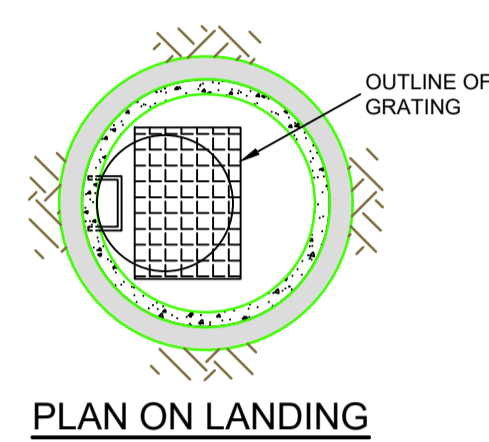
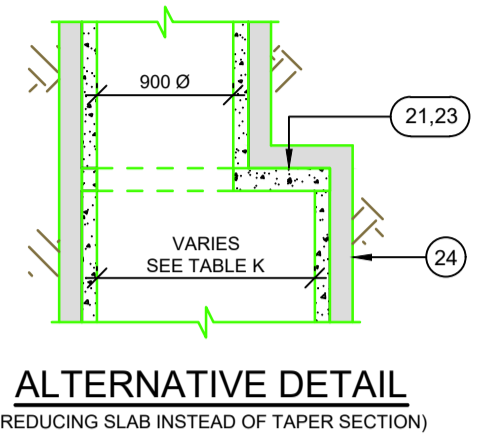


MANHOLE TYPE K
3m ≤ DEPTH TO INVERT < 6m



MANHOLE TYPE L
6m ≤ DEPTH TO INVERT < 12m

TABLE L	
MANHOLE PIPE DIAMETER A	CHAMBER INTERNAL DIAMETER B
225 - 900	1500
1050 - 1200	2100

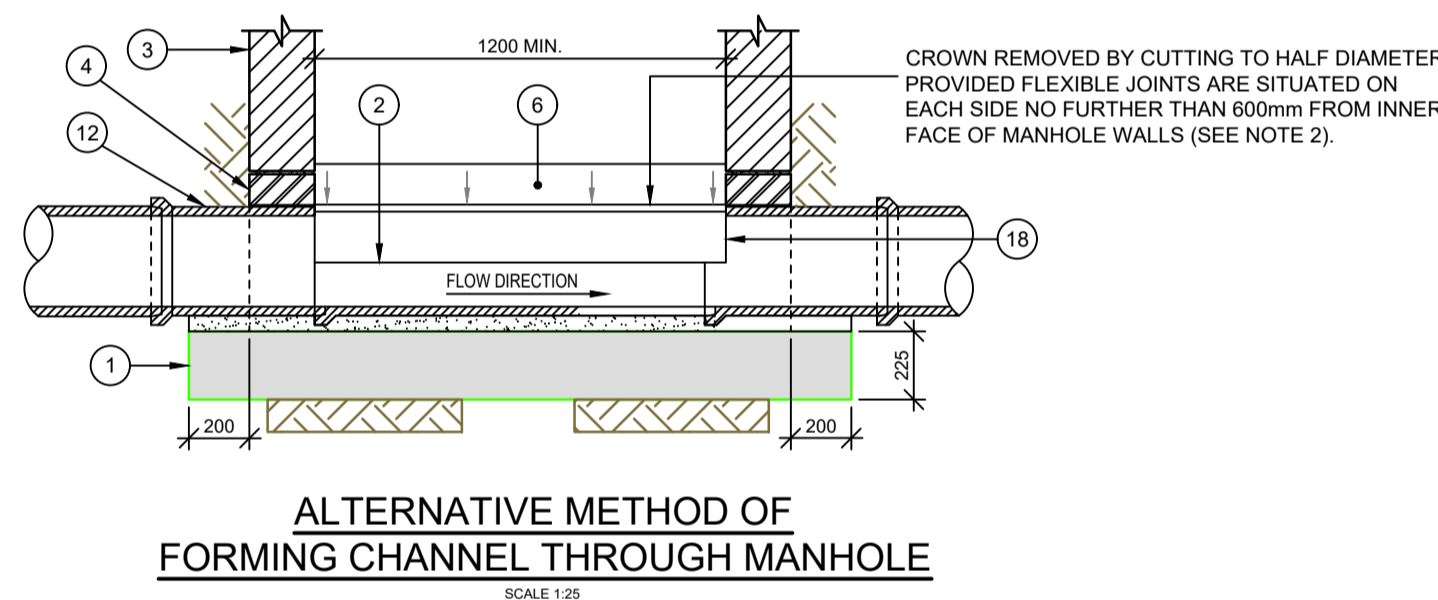


PLAN ON LANDING

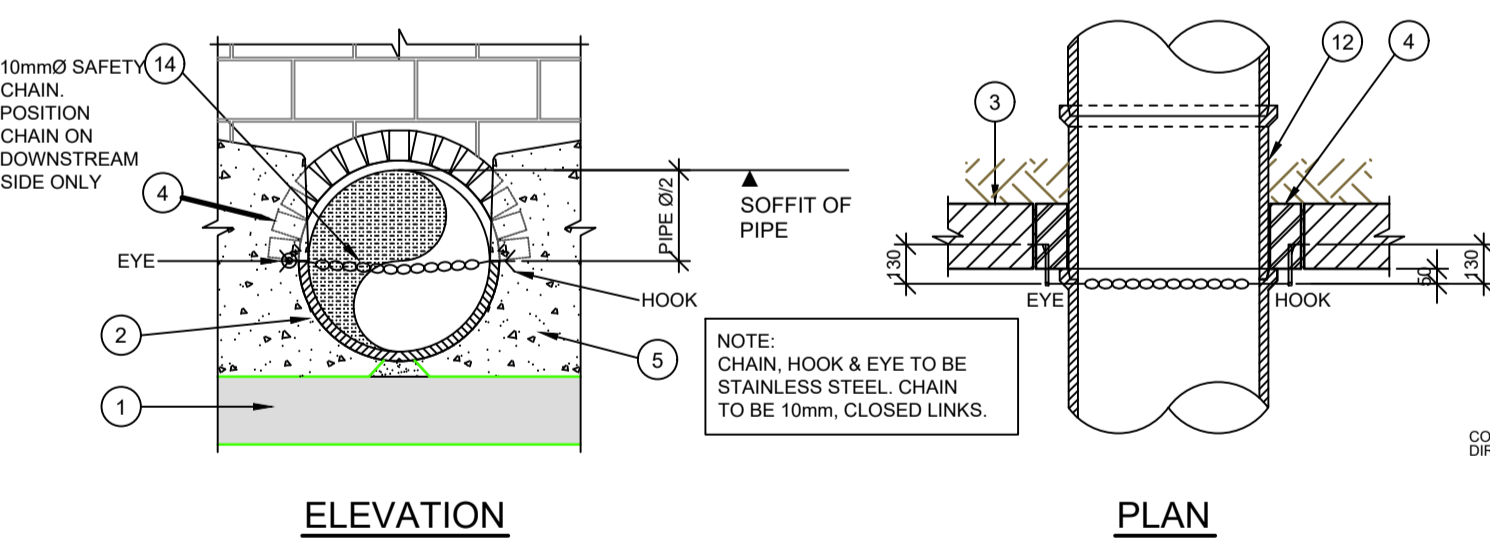
TABLE J	
MAXIMUM PIPE DIAMETER A	CHAMBER INTERNAL DIAMETER B
225	1200
300	1200
375	1200
525	1200
600	1200
675	1350
750	1500
900	1500
1050	2100
1200	2100

TABLE K	
MANHOLE PIPE Ø	CHAMBER INTERNAL Ø
225	1200
300	1200
375	1200
525	1200
600	1200
675	1350
750	1500
900	1500
1050	2100
1200	2100

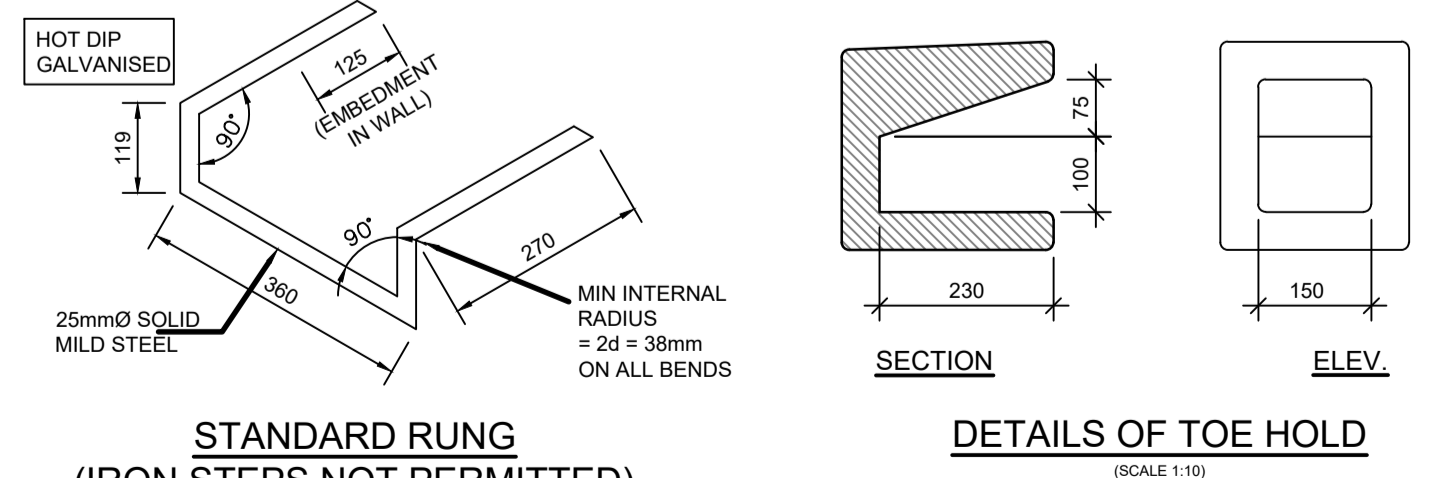
ALTERNATIVE DETAIL (REDUCING SLAB INSTEAD OF TAPER SECTION)



ALTERNATIVE METHOD OF FORMING CHANNEL THROUGH MANHOLE



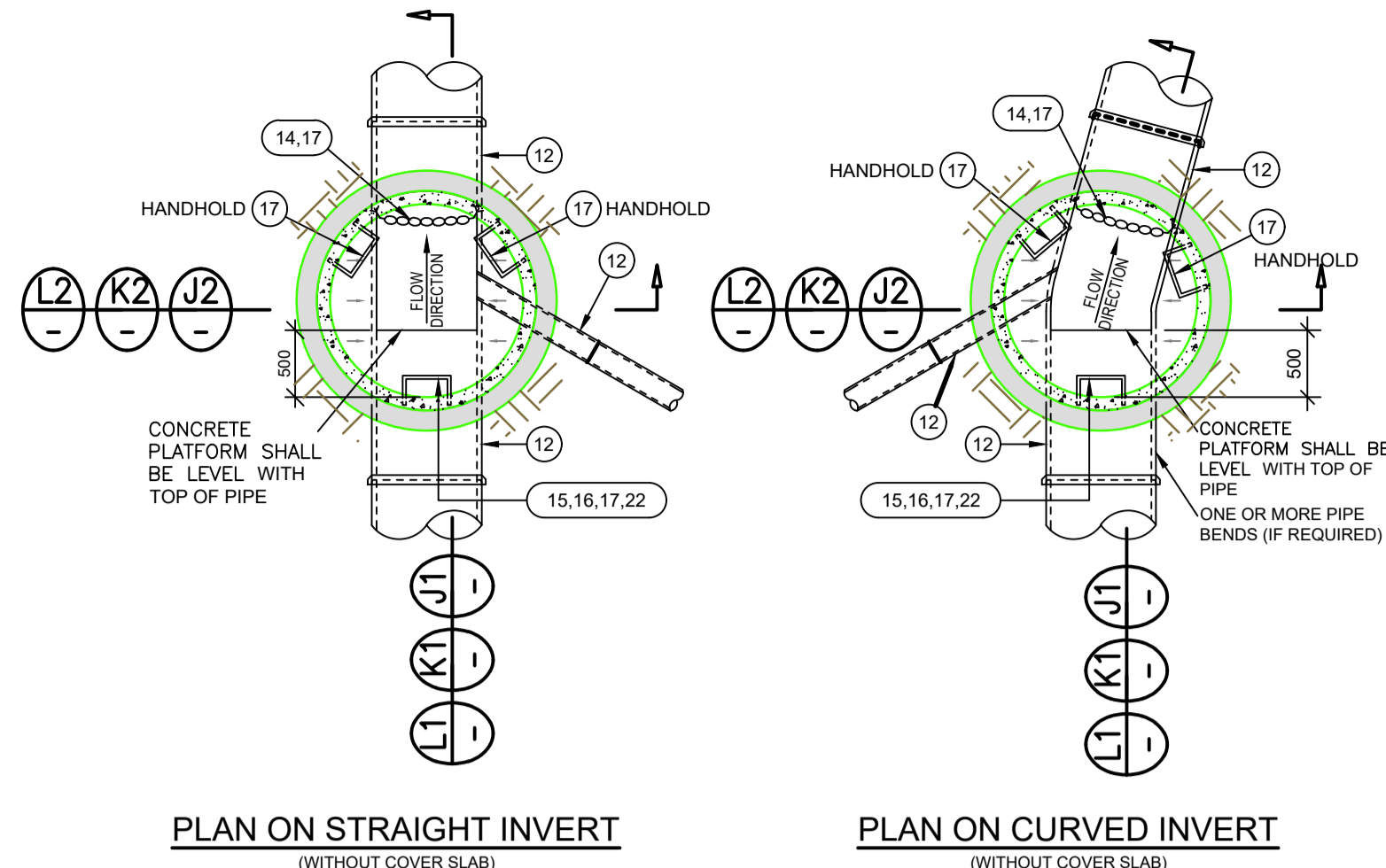
SAFETY CHAIN, HOOK & EYE DETAIL



STANDARD RUNG (IRON STEPS NOT PERMITTED)

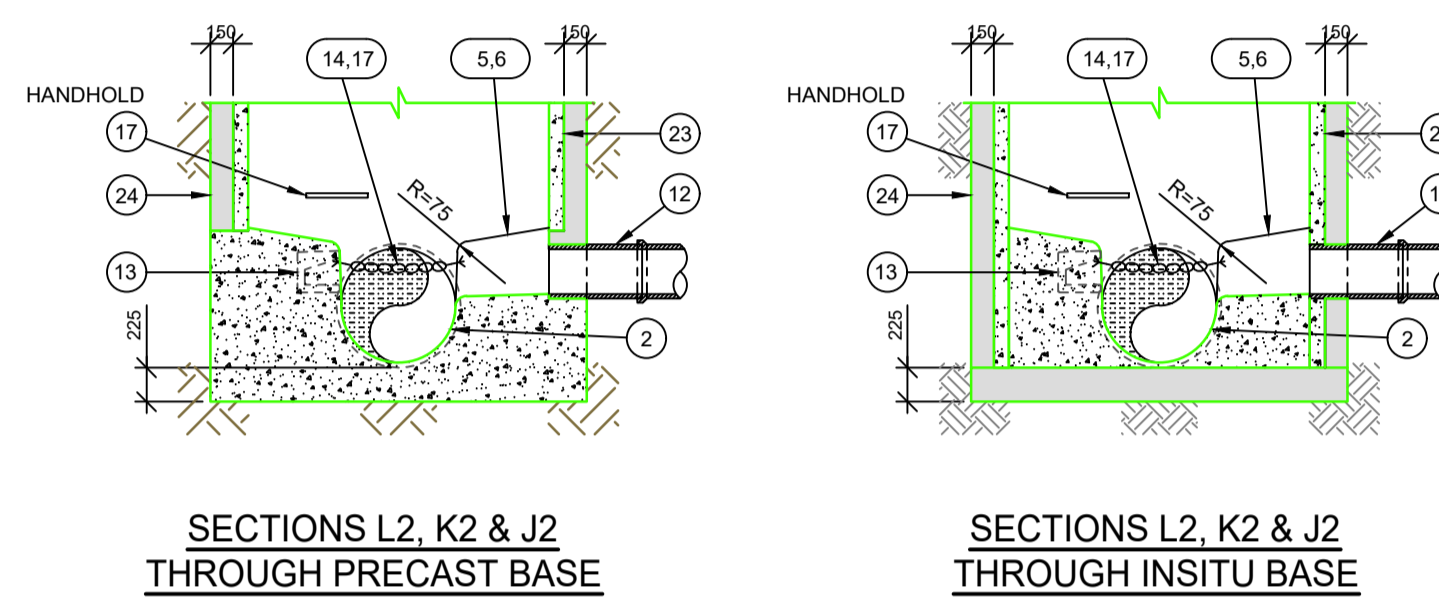
DETAILS OF TOE HOLD (SCALE 1:10)

MISCELLANEOUS MANHOLE DETAILS



PLAN ON STRAIGHT INVERT (WITHOUT COVER SLAB)

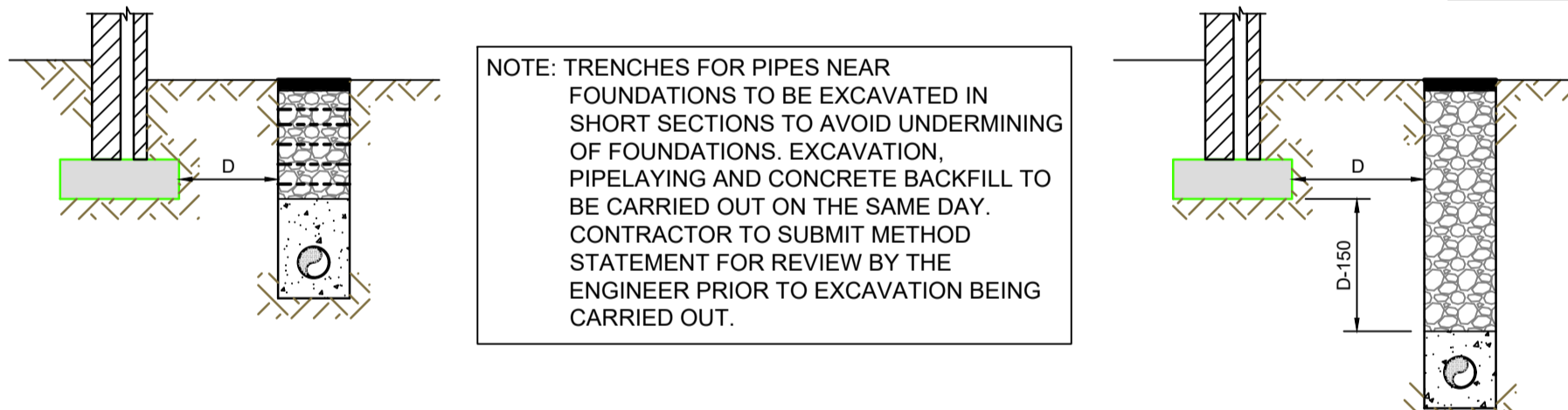
PLAN ON CURVED INVERT (WITHOUT COVER SLAB)



SECTIONS L2, K2 & J2 THROUGH PRECAST BASE

SECTIONS L2, K2 & J2 THROUGH INSITU BASE

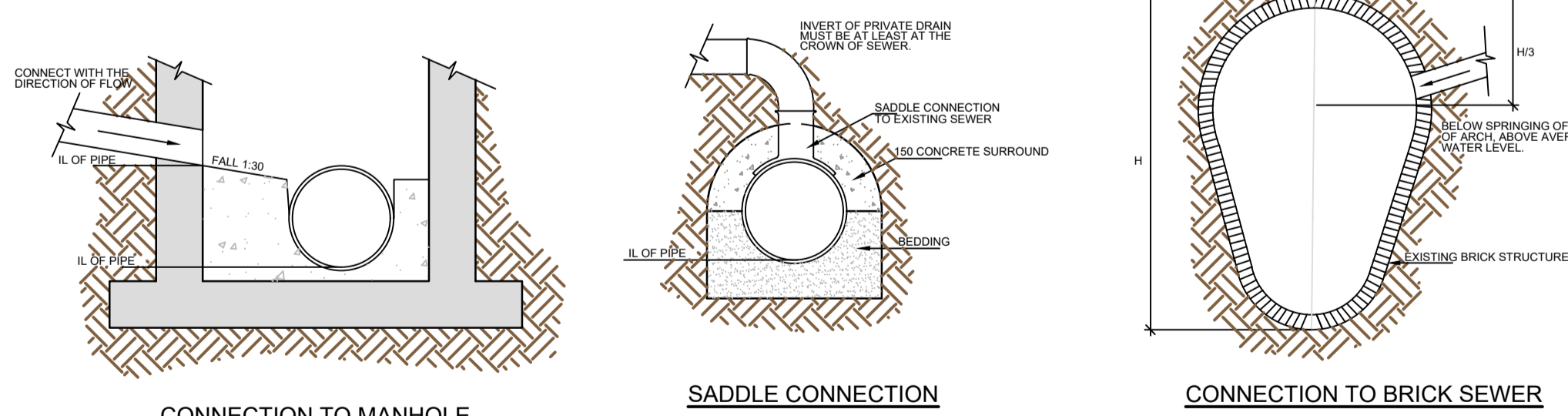
COMMON DETAILS



CONCRETE PIPE LAID NEAR FOUNDATIONS

WHERE 'D' IS LESS THAN 1m
CONCRETE FILL TO LEVEL OF FOUNDATION BOTTOM

WHERE 'D' IS 1m OR MORE
CONCRETE FILL TO WITHIN D - 150mm OF LEVEL OF FOUNDATION BOTTOM



CONNECTION TO MANHOLE

SADDLE CONNECTION

CONNECTION TO BRICK SEWER

MANHOLE CONNECTIONS (DCC AREA ONLY)

- NOTES**
- THIS DRAWING IS TO BE READ IN CONJUNCTION WITH RELEVANT ARCHITECTS AND ENGINEERS DRAWINGS.
 - FIGURED DIMENSIONS ONLY TO BE TAKEN FROM THIS DRAWING. ALL DIMENSIONS TO BE CHECKED ON SITE. ENGINEER TO BE INFORMED IMMEDIATELY OF ANY DISCREPANCIES BEFORE ANY WORK PROCEEDS.
 - REFER TO DRAWING 21208-DOW-0000 FOR PROJECT SPECIFICATION.

- NOTES**
- 225mm THICK C30/37 MASS CONCRETE FOUNDATIONS.
 - PREFORMED HALF CIRCLE CHANNEL PIPES. THE PIPELINE MAY, WHERE PRACTICABLE, BE LAID THROUGH THE MANHOLE & THE CROWN CUT OUT TO HALF DIAMETER. PROVIDED FLEXIBLE JOINTS ARE SITUATED ON EACH SIDE NO FURTHER THAN 600mm FROM THE INNER FACE OF MANHOLE WALL.
 - WHERE PIPE DIAMETER CHANGES AT A MANHOLE PIPE CROWNS TO LINE UP.
 - MANHOLE CONSTRUCTION:
 - FOR SURFACE WATER MANHOLES HIGH DENSITY BLOCKS 20N STRENGTH TO I.S. EN 771 OR C30/37 INSITU CONCRETE TO I.S. EN 206.
 - BLOCK WORK SHALL BE BEDDED & JOINTED USING MORTAR TO I.S. 406. BEDS & VERTICAL JOINTS SHALL BE COMPLETELY FILLED WITH MORTAR AS THE BLOCKS ARE LAID.
 - JOINTS SHALL BE FLUSH POINTED AS THE WORK PROCEEDS.
 - ALL FOUL MANHOLES MUST BE FACED IN SOLID ENGINEERING BRICK (MIN. CLASS 'A' OR 'B') OR INSITU CONCRETE FOR 1m ABOVE BENCHING LEVEL. BRICK TO BE BONDED TO BLOCK WORK USING ENGLISH GARDEN WALL BOND.
 - MAXIMUM DEPTH OF BLOCK WORK MANHOLE ≤ 1.20m (THE USE OF BLOCK WORK IN DEEPER MANHOLES WILL BE CONSIDERED BUT SUCH USE WILL REQUIRE DETAILED STRUCTURAL DESIGN AND WRITTEN APPROVAL FROM IRISH WATER).
 - RELIEVING ARCH FORMED BY 215 x 103 x 65 SOLID ENGINEERING BRICK CLASS 'A' OR 'B'. RELIEVING ARCHES USED IN BRICK OR BLOCK WORK. MANHOLES EXTEND OVER FULL THICKNESS OF WALL. A DOUBLE ARCH IS TO BE FORMED FOR PIPE DIAMETERS GREATER THAN 600mm.
 - BENCHING & PIPE CHANNEL PIPE SURROUND - C25/30 CONCRETE
 - BENCHING FINISHED IN 2:1 SAND-CEMENT MORTAR WITH A SMOOTH TROWEL FINISH. AT 1 IN 30 SLOPE TOWARDS CHANNEL.
 - STANDARD RUNGS AT 300 C/C VERTICALLY & GALVANISED TO THE LATEST VERSION OF B.S. 729 OR EQUIVALENT. NOTE: STEP RUNGS ARE NOT ACCEPTABLE.
 - 600mm SQUARE OPE IN ROOF SLAB.
 - PRECAST R.C. ROOF SLAB SHALL BE 200mm THICK IN GRADE C 30/37, WITH 40mm COVER TO STEEL, DESIGNED TO BS 8100 TO TAKE FULL TRAFFIC LOADING.
 - 1 TO 3 COURSES OF SOLID ENGINEERING BRICKS CL. 'B' TO I.S. EN 998 SET IN M30 MORTAR.
 - CLASS D400 OR E600 MANHOLE COVER & FRAME TO I.S. EN 124. 150mm DEEP FRAME FOR ROADS & 100mm DEEP FOR FOOTPATHS & GREEN AREAS. NON-SKID DESIGN. CLOSED KEYWAYS. MANUFACTURED FROM SPHERICAL GRAPHITE CAST IRON (DUCTILE CAST IRON). 800 x 800 (800) CLEAR OPENING. COVER & FRAME COATED IN BITUMEN OR OTHER APPROVED MATERIAL COVER TO HAVE A MINIMUM MASS OF 140g/m². FRAME BEARING AREA SHALL BE 80,000mm² MIN. FRAMES SHALL BE DESIGNED TO PREVENT COVERS FALLING INTO MANHOLE. FRAMES SHALL BE BEDDED ON APPROVED MORTAR TO MANUFACTURERS INSTRUCTIONS.
 - SHORT LENGTH PIPE & PIPE JOINT EXTERNAL TO MANHOLE SHALL NOT EXCEED 600mm FROM THE INNER FACE OF MANHOLE WALL.
 - TOE HOLES OF 230mm MINIMUM DEPTH & GALVANISED STEEL SAFETY RAILINGS TO BE PROVIDED IN BENCHING OF SEWERS GREATER THAN 525mm & DEPTH TO INVERT >3m FOR ACCESS TO INVERT.
 - A STAINLESS STEEL SAFETY CHAIN IS TO BE PROVIDED ON PIPES THAT EXCEED 450mm IN DIAMETER, COMPLYING WITH BS 1935 OR EQUIVALENT.
 - WHEN DEPTH OF MANHOLES TO INVERT IS GREATER THAN 3.0m LADDERS SHALL BE USED. INSTEAD OF RUNGS TO B.S. 4211 OR EQUIVALENT EXCEPT THAT STRINGERS SHOULD BE NOT LESS THAN 65 x 12mm IN SECTION & RUNGS 25mm IN DIAMETER. FIXED LADDERS SHOULD MEET THE DIMENSIONAL REQUIREMENTS OF B.S. 4211 OR EQUIVALENT. DISTANCE FROM THE TOP RUNG OF THE LADDER TO GROUND LEVEL SHOULD NOT EXCEED 500mm.
 - LADDER STRINGERS SHOULD BE ADEQUATELY SUPPORTED FROM THE MANHOLE WALL AT INTERVALS OF NOT MORE THAN 2.0m. STRINGERS SHOULD BE BOLTED TO GLEATS TO FACILITATE REPAIRS.
 - ALL LADDERS, RUNGS, HORIZONTALS, SAFETY CHAINS ETC. SHALL BE HOT DIP GALVANISED TO EN ISO 1461 OR EQUIVALENT.
 - PIPE SHOULD BE CUT FLUSH WITH THE INSIDE SURFACE OF THE MANHOLE WALL SO THAT THE CHANNEL EXTENDS THE FULL LENGTH OF THE MANHOLE (EXCEPT FOR PRECAST MANHOLES).
 - POSITION OF 910 SQUARE OPE IN INTERMEDIATE ROOF SLAB.
 - ALL MANHOLES SHALL BE WATERTIGHT TO THE SATISFACTION OF THE ENGINEER.
 - FORMWORK TO REINFORCED CONCRETE & MASS CONCRETE SHALL COMPLY WITH IS EN 1992-1-1
 - FINISH TO THE TOP OF SLABS SHALL COMPLY WITH TYPE 'A', IS EN 1992-1-1
 - PLAN DIMENSIONS OF MANHOLES ARE BASED ON BLOCK WORK HAVING A CO-ORDINATING SIZE OF 400 x 225 x 100. FOR PIPE DIAMETER >750mm USE MANHOLE WITH INTERNAL DIAMETER SIZE OF PIPE SIZE + 1m + 100mm.
 - MANHOLES ARE DESIGNED TO IS 152 & HULL THICKNESS TO IS 225 BLOCK WORK DESIGN CODE TAKING GRANULAR FILL PRESSURE & H.B. SURCHARGE.
 - REINFORCEMENT TO SLABS TO ENGINEERS DETAILS.
 - FOR MANHOLES >3m DEPTH TO INVERT USE C 30/37 INSITU CONCRETE. REINFORCING MESH REF. AS80 TO BE FIXED AT MID POINT OF WALL. ADDITIONAL REINFORCEMENT TO BE SUPPLIED OVER PIPE CROWN.
 - PRECAST MANHOLES, CHAMBER WALLS & COVER SLAB TO BE CONSTRUCTED TO I.S. EN 1917 & I.S. 420:2004
 - MANHOLE OPENINGS TO BE SITUATED FURTHEST FROM THE NEAREST CARRIAGEWAY. MANHOLE STEPS ACCESS TO BE POSITIONED TO ALLOW VIEWING OF ONCOMING TRAFFIC.
 - FOR BEDDING & SEALING OF CHAMBER RINGS, THE TOP RING (TO PRECAST COVER SLAB) & BOTTOM RING TO BE BEDDED WITH CEMENT MORTAR. FOR INTERMEDIATE RINGS, JOINTS TO BE SEALED WITH APPROVED PRE-FORMED JOINTING STRIP.
 - PRECAST MANHOLES TO BE SURROUNDED WITH A MINIMUM OF 150mm THICK GRADE C20/25 CONCRETE.
 - FOR FOUL DRAINAGE TO BE TAKEN IN CHARGE BY IRISH WATER, MANHOLES ARE TO BE CONSTRUCTED STRICTLY IN ACCORDANCE WITH THE REQUIREMENTS OF IRISH WATER WHICH MAY DIFFER FROM THE DETAILS PROVIDED. REFER TO IRISH WATER CODE OF PRACTICE FOR WASTEWATER INFRASTRUCTURE AND ASSOCIATED IRISH WATER STANDARD DETAILS, ALONG WITH ANY PARTICULAR REQUIREMENTS.

Rev	Date	Issued For	AG	AD
P01	18.08.22	ISSUED FOR PLANNING	AG	AD
Rev	Date	Amendments	AG	AD
			by	chkd

PROJECT
PROPOSED HOUSING DEVELOPMENT AT MAYESTON, POPPINTREE, DUBLIN 11

CLIENT
FINGAL COUNTY COUNCIL

DRAWING TITLE
MANHOLE DETAILS SHEET 2 OF 2

drawn by: AG date: 18.08.22 scale: N.T.S @ A1 chk: AD

MAYE - DOW - 00 - XX - DR - CE

Project	Originator	Volume	Level	Type	Role
21208	4001				P01

DOW Project No. drg. no. rev.

S4: SUITABLE FOR PLANNING

Suitability Status: Code - Description

Cashel Business Centre,
Cashel Road, Kimmage, Dublin 12
T 01 4901611
E admin@downesassociates.ie
www.downesassociates.ie

