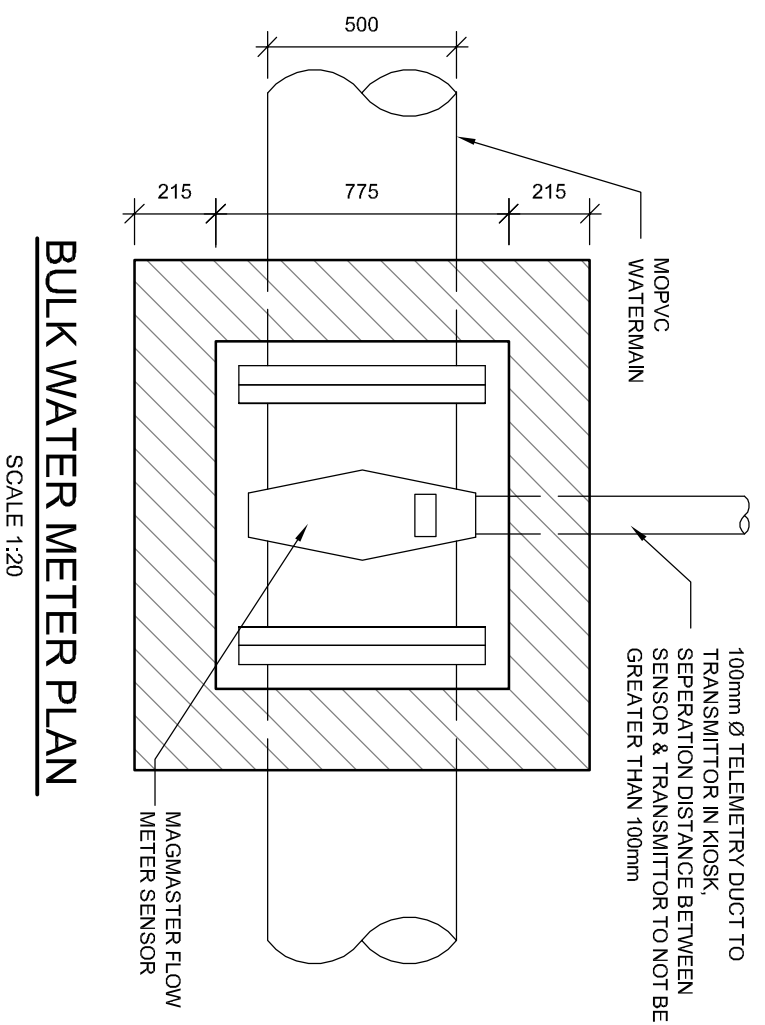
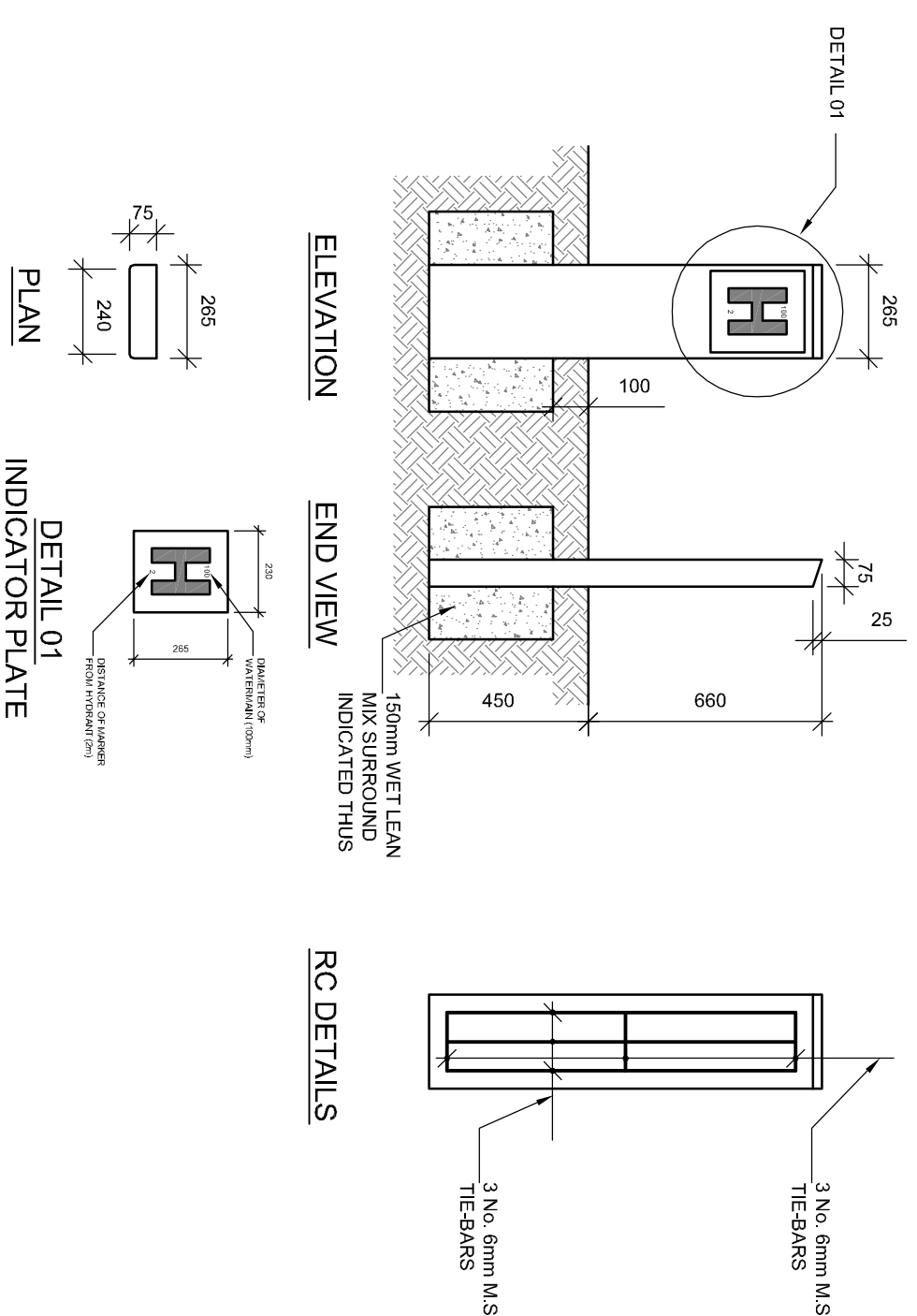


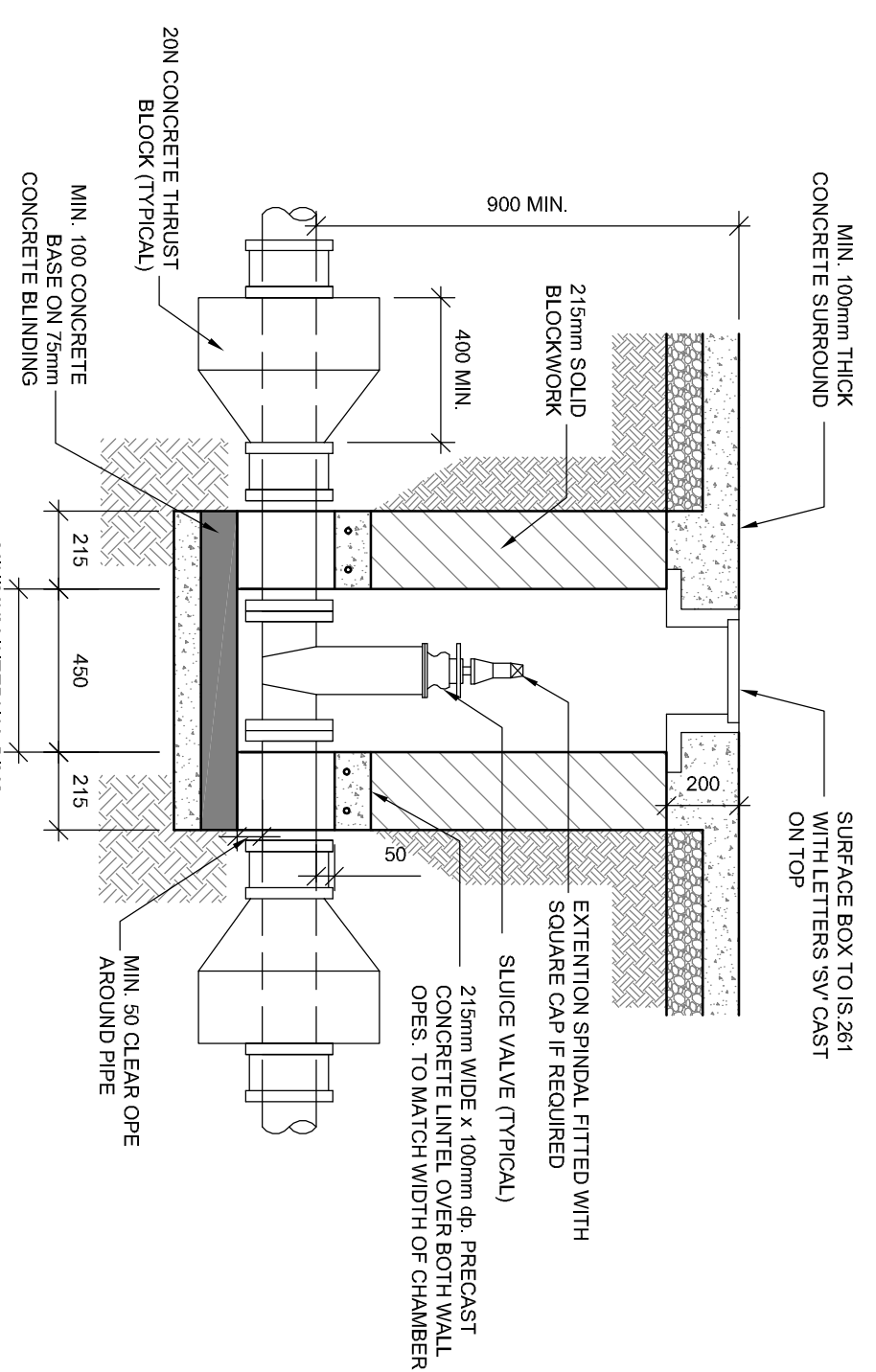
BULK WATER METER SECTION
SCALE 1:20



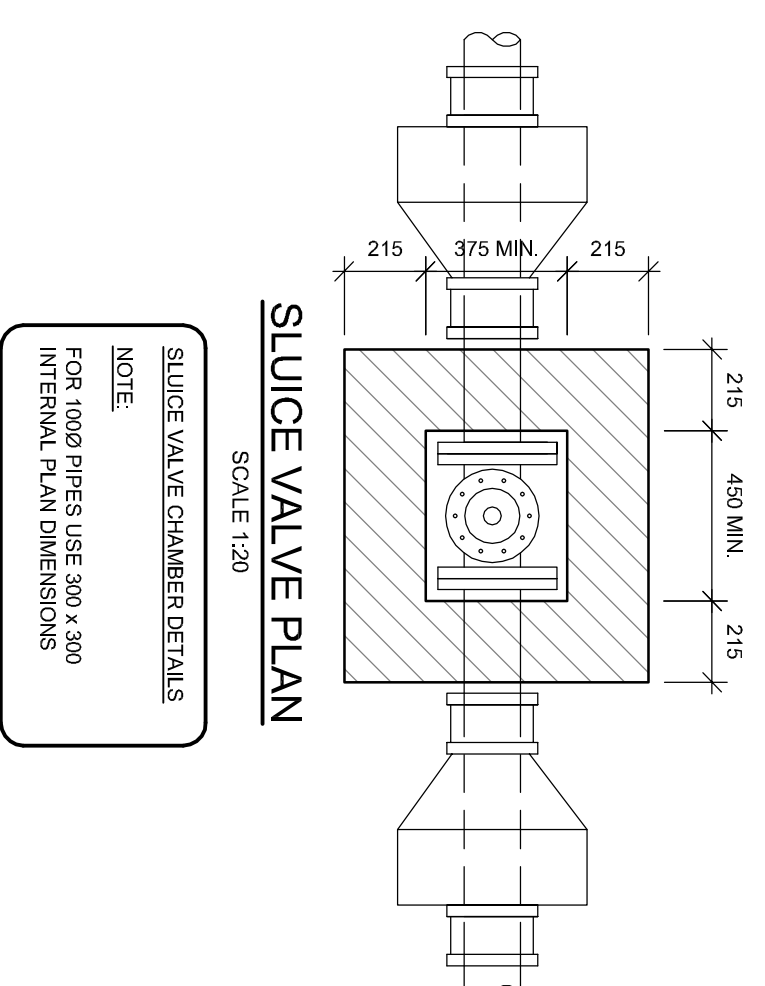
BULK WATER METER PLAN
SCALE 1:20



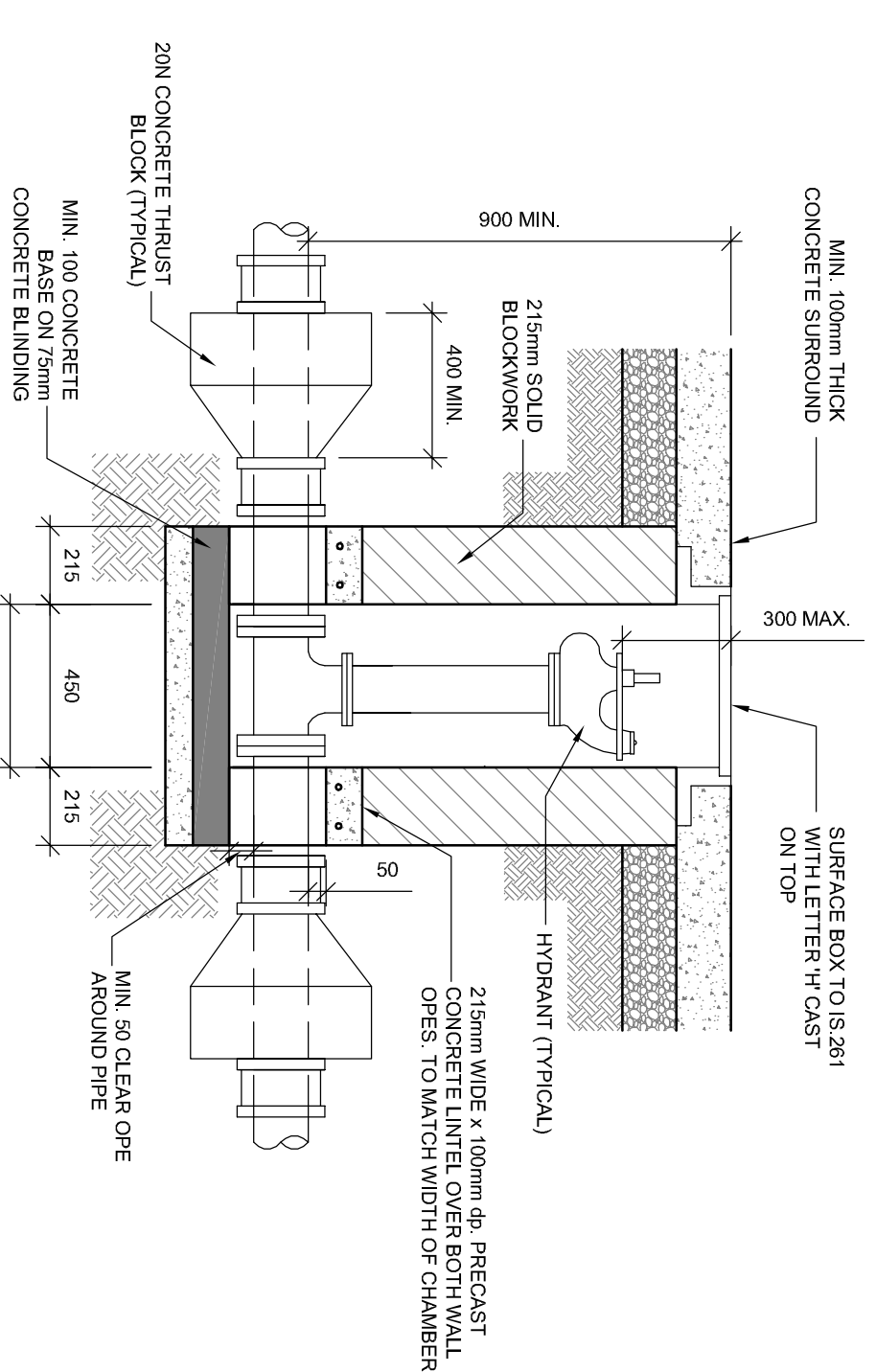
HYDRANT INDICATOR PLATE DETAILS
SCALE 1:20



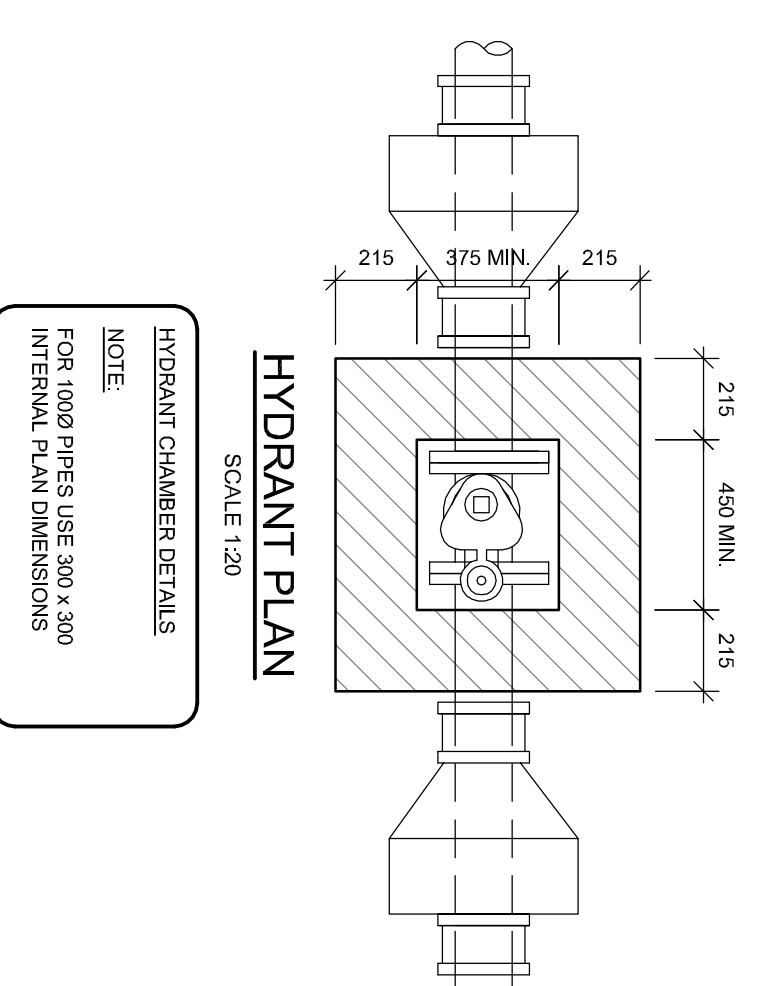
SLUICE VALVE SECTION
SCALE 1:20



SLUICE VALVE PLAN
SCALE 1:20



HYDRANT SECTION
SCALE 1:20



HYDRANT PLAN
SCALE 1:20

Rev	Date	Dim	CHK'd	Description
P1	31/01/20	POC	XX	Issued for Planning

LOHAN & DONNELLY
Consulting Engineers

13 Gardiner Place, Mountjoy Square, Dublin 1. T: 01 8787770
W: www.lohan-donnelly.com E: info@lohan-donnelly.com

Project:	Sodal Housing, Church Road, Lusk, Co. Dublin	Proj. No.:	CO4
----------	--	------------	-----

Drawing:	Watermain Watermain Details	Scale:	@A1	Date:	Mar 2020
----------	--------------------------------	--------	-----	-------	----------

Model Reference:	19182-LDE-ZZ-M2	Model Rev.:	P1
Drawing Reference:	19182-LDE-ZZ-00-DR-C-1C04	Stability:	S3