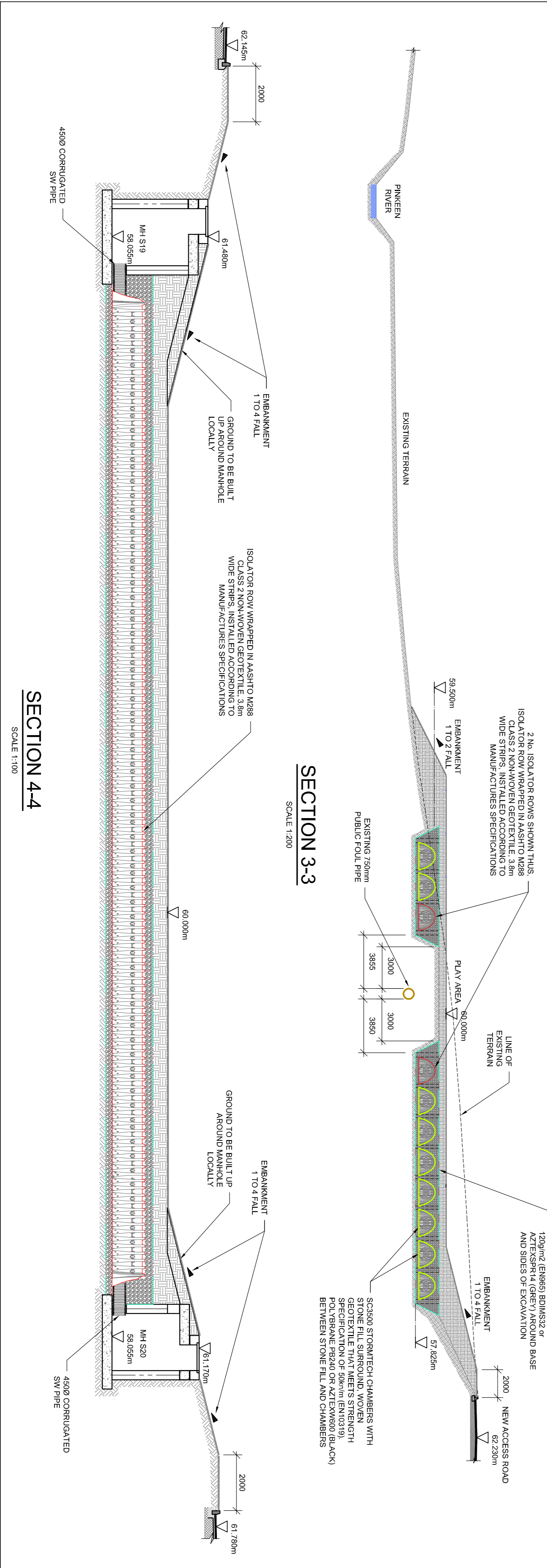
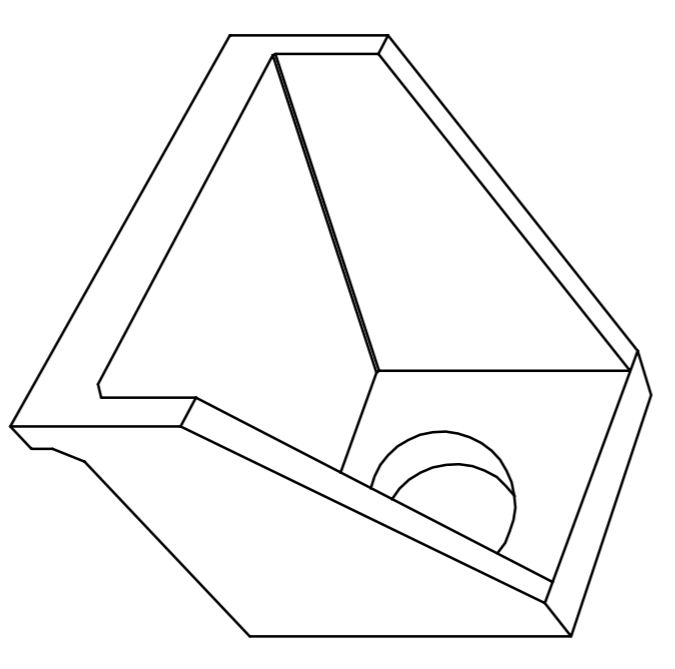
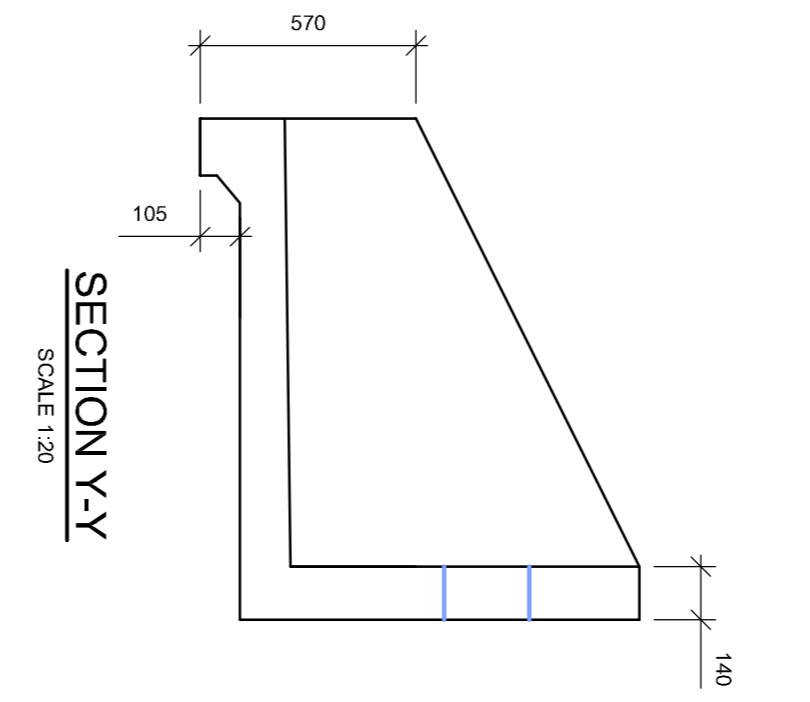
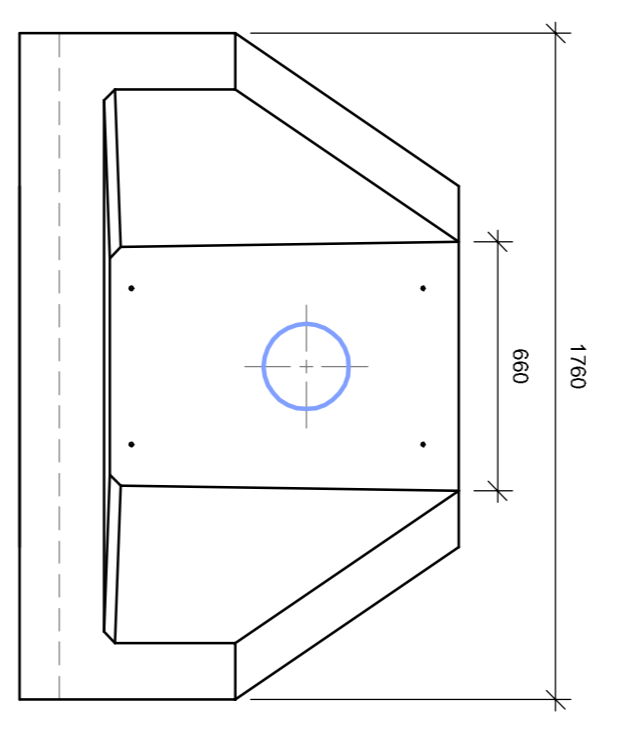
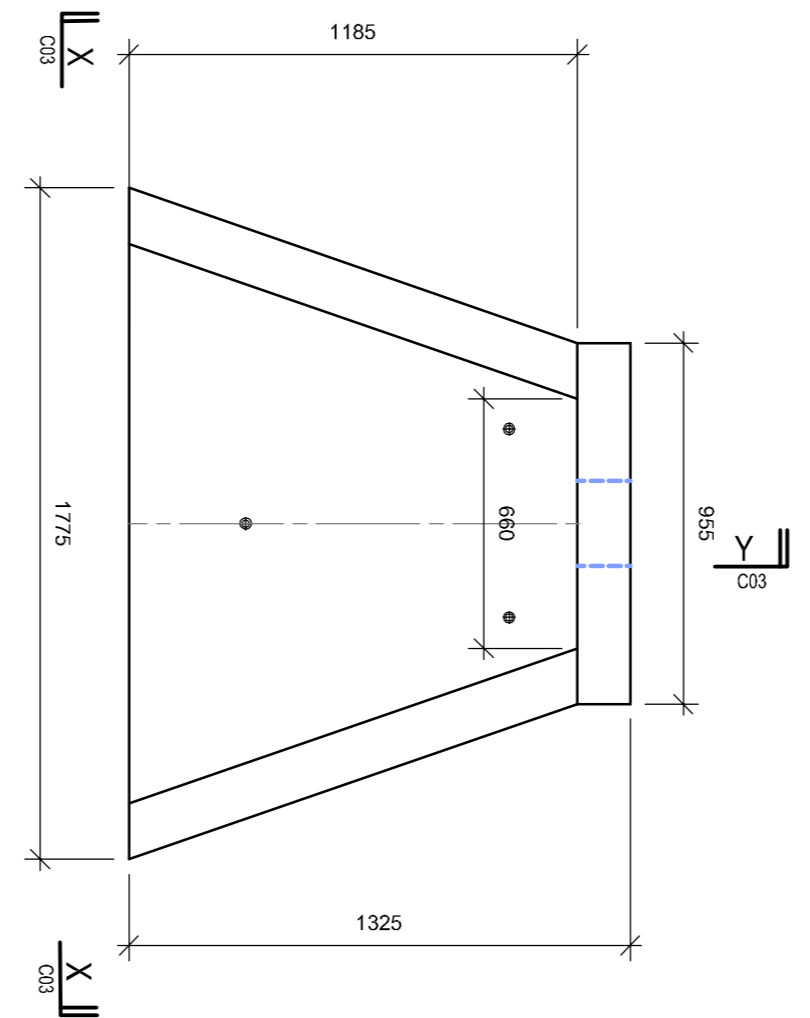
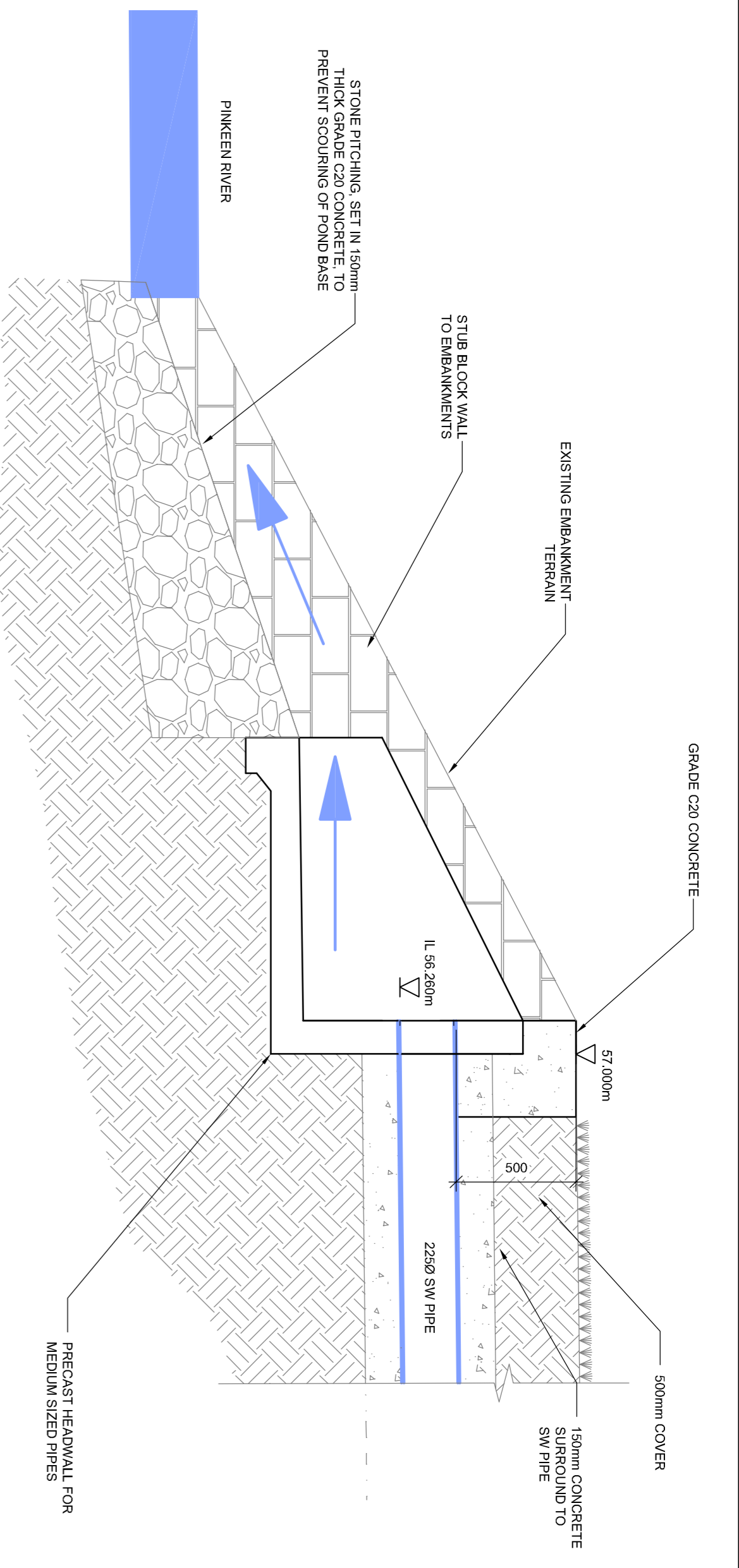
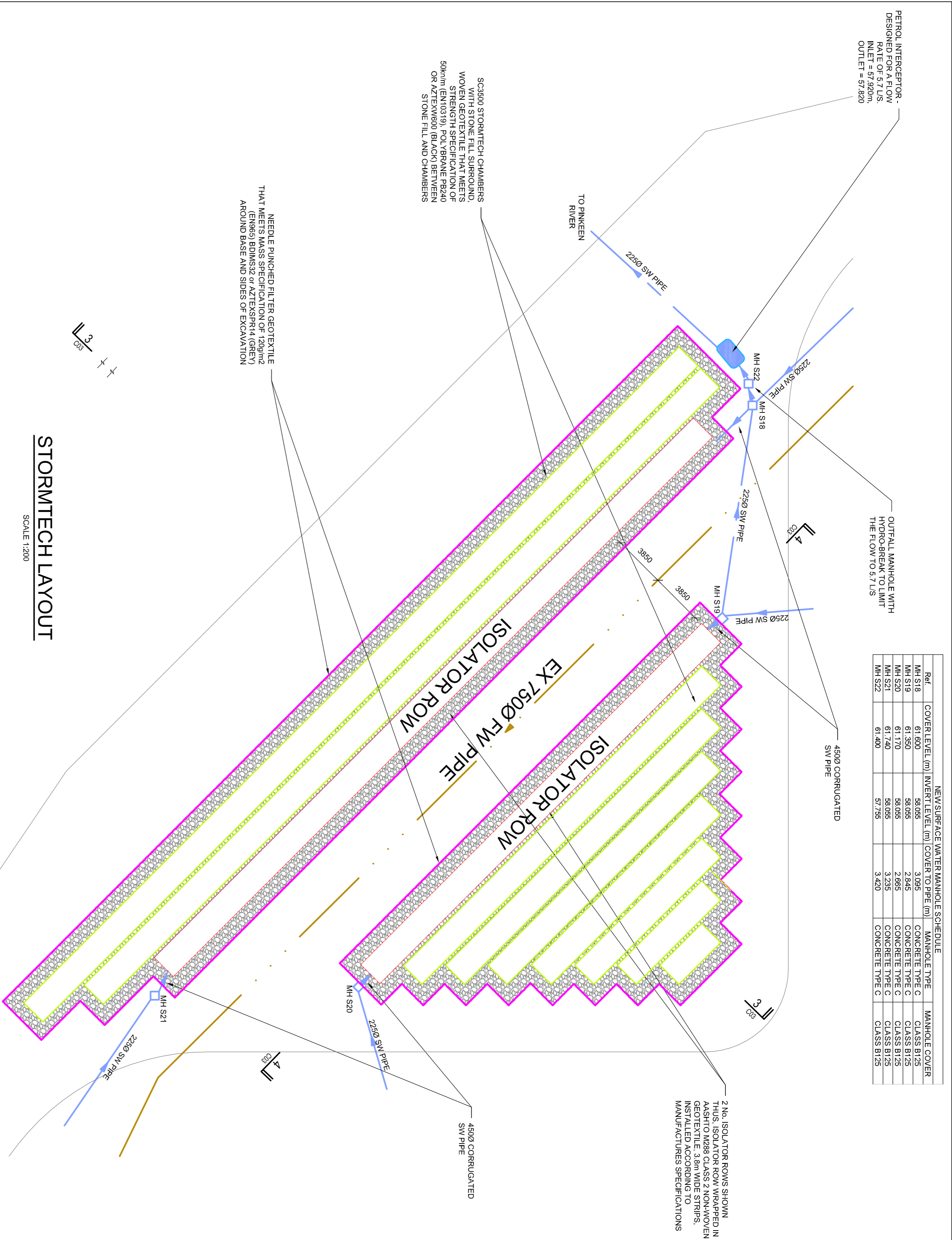


NEWSURFACE WATERMANHOLE SCHEDULE

MH	COVER LEVEL (m)	INVERT LEVEL (m)	COVER TO PIPE (m)	MANHOLE TYPE	MANHOLE COVER
MH S18	61.600	58.095	3.505	CONCRETE TYPE C	CLASS B125
MH S19	61.350	58.095	3.255	CONCRETE TYPE C	CLASS B125
MH S20	61.740	58.095	3.645	CONCRETE TYPE C	CLASS B125
MH S21	61.740	58.095	3.645	CONCRETE TYPE C	CLASS B125
MH S22	61.400	57.795	3.605	CONCRETE TYPE C	CLASS B125



Rev	Date	POC	X	Issue for Peer & Submission
P1	26-10-2018	POC	X	Issue for Peer & Submission

Job:	Housing Development Churchfields, Mulhuddart, Dublin	Job No.:	19126	Proj. No.:	CO3
Drawing:	Surface Water Sections	Scale:	@A1	Date:	Oct '19

LOHAN & DONNELLY
Consulting Engineers

13 Gardiner Place, Mountjoy Square, Dublin 1. T. 01 8787770
W. www.lohan-donnelly.com E. info@lohan-donnelly.com

Drawn:	POC	Revised:	P1
--------	-----	----------	----